

TWW160 INSTALLATION INSTRUCTIONS

IMPORTANT

Read carefully before installing fixture. Retain instructions for future reference. Risk of fire or electrical shock.

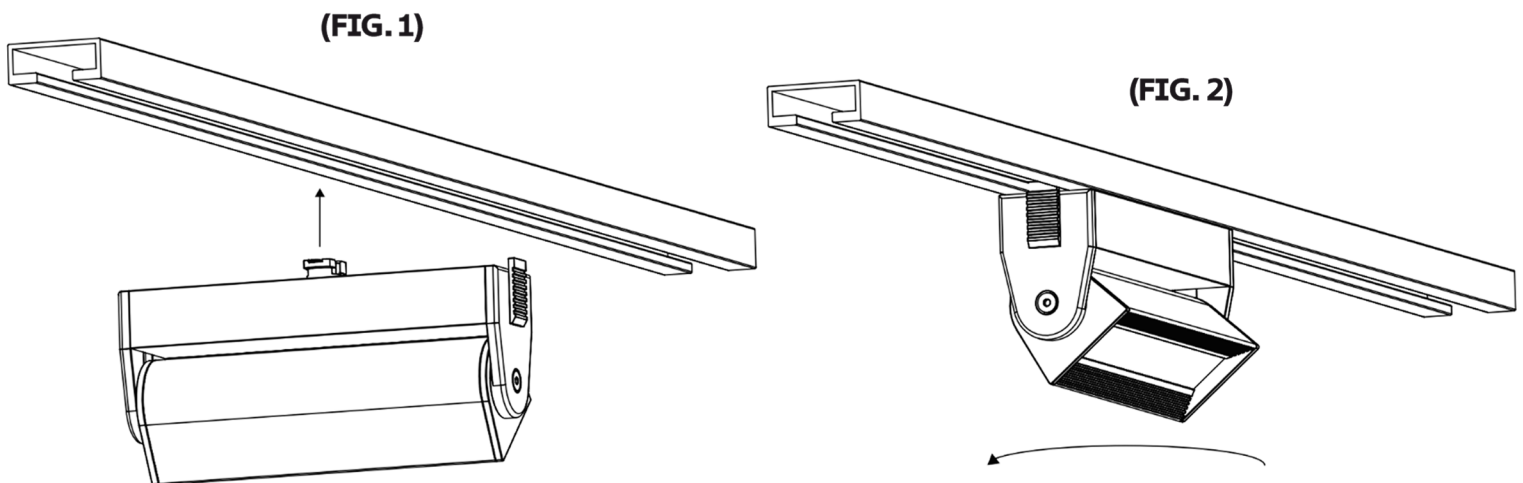
When installing or using this track system, basic safety precautions should always be followed, including the following:

- A) Read all instructions.
- B) Do not install this track in damp or wet locations.
- C) Do not install any part of a track system less than 5 feet above the floor.
- D) Do not install any luminaire assembly closer than 6 inches from any curtain, or similar combustible material.
- E) Disconnect electrical power before adding to or changing the configuration of the track.
- F) Do not attempt to energize anything other than lighting track luminaires on the track. To reduce the risk of fire and electric shock, do not attempt to connect power tools, extension cords, appliances, and the like to the track.

Installation Steps

ENSURE FIXTURE TYPE (SEE LABEL ON TRACK HEAD) IS COMPATIBLE WITH YOUR TRACK TYPE.

1. Turn off electrical power to the track prior to installing fixture.
2. Insert electrical contacts into track channel. Fig 1.
3. Rotate adapter 90°. Fig 2.



Thank you for buying Lumenture fixtures.
We welcome your feedback: info@lumenture.com.