

# LUMENTURE®

## HL110 HALLWAY LIGHTS

TYPE: \_\_\_\_\_

PROJECT: \_\_\_\_\_



Luminaire's HL110 directs light toward the walls – allowing you to increase perceived light levels or reduce fixture counts. The impressive performance comes in a discreet form factor that blends effortlessly into ceilings.



**Weight**  
18 oz.  
(module only)



**Wattage**  
14W - 1250 lumens



**Input**  
120V - 277V  
AC Input



**Material & Finish**  
Die-cast aluminum  
module. Powdercoat



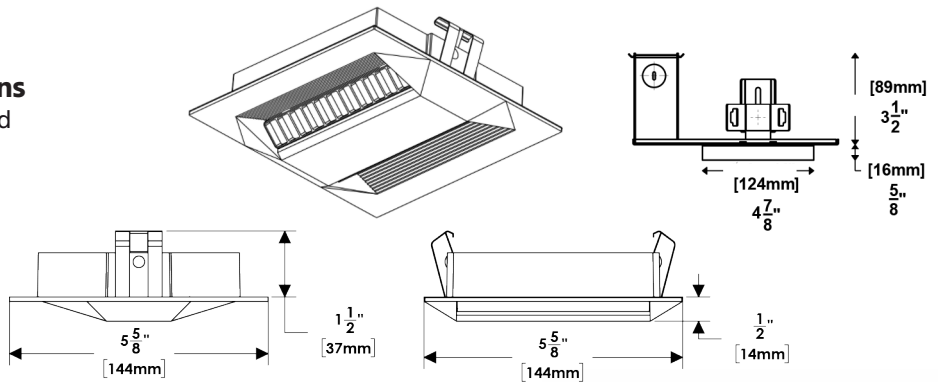
**Housing Options**  
Open Non-IC-rated



**Accessories**  
Field replaceable  
accessories

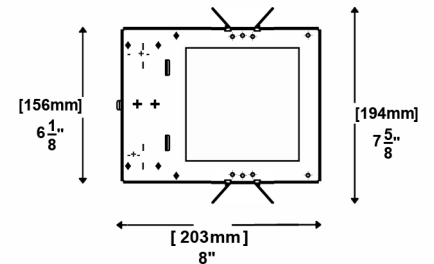


**Dimming**  
Triac, ELV and  
0-10V



## ORDERING

FIXTURE	CCT/CRI*	TRIM COLOR
HL110 - Hallway Lights	27H - 2700K, CRI 90+	W - White
	30H - 3000K, CRI 90+	B - Black
	30V - 3000K, CRI90+, VividLight™	C - Custom
	35H - 3500K, CRI 90+	
	40H - 4000K, CRI 90+	





MODULE ORDERING EXAMPLE: HL110-30H-W

FAMILY	SHAPE	TYPE	DRIVER	OUTPUT (MA)
RH110	S - Square	N - Non IC Rated	U - Universal Dimming Driver	350 - 14W

\*Custom options available, please consult factory.



HOUSING ORDERING EXAMPLE: RH110-S-N-U-350

**Listings:** Certified to UL standard 1598 and CSA C22.2 No. 250.0-08 for damp locations   **RoHS**

Product specifications subject to change.

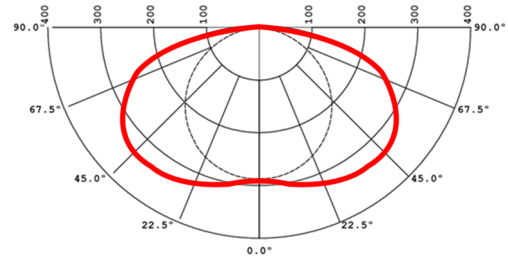
## PHOTOMETRICS

Lumen output values fluctuate based on CCT and CRI. To estimate delivered lumen output of the various CCT/CRI options, multiply nominal lumens (1250 lumens) by the multiplier below.

CODE	CCT	CRI	TECHNOLOGY	MULTIPLIER
<b>27H</b>	2700K	90+	Standard	0.95
<b>30H</b>	3000K	90+	Standard	1.00
<b>30V</b>	3000K	90+	VividLight™	0.80*
<b>35H</b>	3500K	90+	Standard	1.05
<b>40H</b>	4000K	90+	Standard	1.05

Luminaire maintains a lumen output tolerance of +/- 7.5%  
\*VividLight™ perceived brightness is significantly higher than measured lumens.

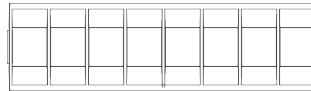
HL110  
Delivered Light Output: 1250 Lumens  
Total Watts @120V: 14;  
Lumens Per Watt: 94



## DIMMING

Dimming is standard and allows for smooth illumination below 5% with certain dimmers. Compatible with 0-10V, most triac (forward phase) and ELV (reverse phase) dimmers. For dimmer compatibility, refer to the Dimming Compatibility document on our website.

## LENSES & BAFFLES



**HL110-B**  
Black Cross  
Baffle

### HL110-x

Lens Accessories

- CL** (Clear)
- G** (Green)
- LB** (Light Blue)
- R** (Red)
- RO** (Rose)
- Y** (Yellow)
- LS** (Linear Spread)
- SOL** (Solite)