



DL75 - 3" FIXED DOWNLIGHTS

TYPE: _____

PROJECT: _____



With a minimal 3" aperture, knife-edge trim and excellent visual cutoff - Lumenture's DL75 blends discreetly in any environment. These recessed modules deliver high lumens without glare. The result is superior brightness and quality from an unobtrusive fixture. DL75 is available both as a retrofit model with attached junction box or with optional rough-in housings to fit any construction needs.



Dimmable
Triac, ELV &
0-10V



Weight
13 oz.
(module only)



Wattage
12W-1250 lumens
15W-1450 lumens **



AC Driver Input
Universal: 120-277V
Triac/ELV: 120V



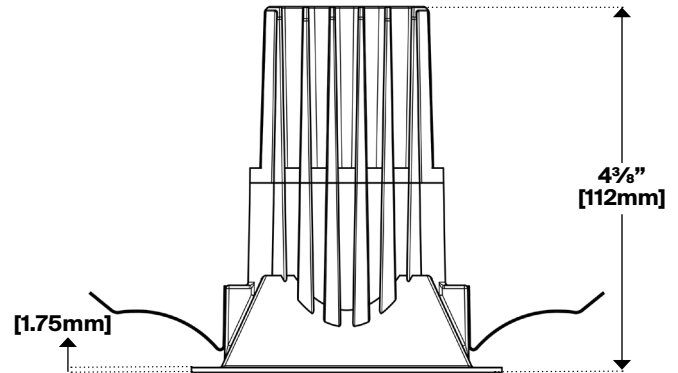
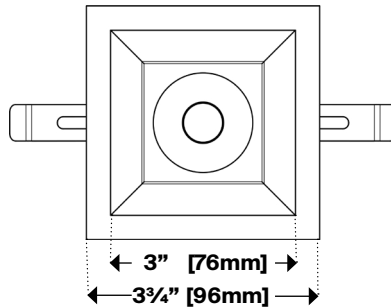
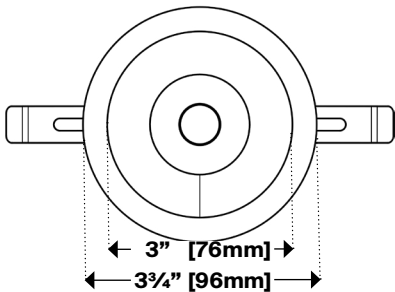
Housing Options
Open, Non-IC-Rated
Closed, IC-Rated



Material & Finish
Aluminum module
trim, Powder coat



Accessories
Field replaceable
optics & accessories



ORDERING

| FIXTURE | CCT/CRI* | BEAM SPREAD* | CONE COLOR | TRIM COLOR | TRIM TYPE | DRIVER | OUTPUT (mA) | HOUSING |
|---------------------------|-----------------------------------|--------------|------------|------------|-----------------|----------------------|-------------|---|
| DL75 - 3" Fixed Downlight | 22H - 2200K, CRI 90+ | 15 - 15° | W - White | W - White | R - Round | T - Triac/ELV | 275 - 12W | N - Open, Non-IC-Rated |
| | 27H - 2700K, CRI 90+ | 25 - 25° | B - Black | B - Black | S - Square | U - Universal | 350 - 15W** | C - Closed, IC-Rated |
| | 30K - 3000K, CRI 80+ | 40 - 40° | S - Silver | S - Silver | RW - Round Wet | Dimming Driver | | |
| | 30H - 3000K, CRI 90+ | 60 - 60° | C - Custom | C - Custom | SW - Square Wet | (Triac, ELV & 0-10V) | | R - Retrofit, Non-IC-Rated (No Housing) |
| | 30B - 3000K, CRI 95+ | | | | | | | |
| | 30V - 3000K, CRI 90+, VividLight™ | | | | | | | |
| | 30D - 3000K, CRI90+, Dim-to-Warm | | | | | | | |
| | 35H - 3500K, CRI 90+ | | | | | | | |
| 40H - 4000K, CRI 90+ | | | | | | | | |



ORDERING EXAMPLE: DL75-30H-25-W-W-R-U-275-R

*Custom options available, please consult factory.

**Available with "C" Closed, IC-Rated Housing only.

Listings: certified to UL standard 1598 and CSA C22.2 No. 250.0-08 for damp locations



Product Specifications subject to change.



www.lumenture.com

20210112



PHOTOMETRICS

Lumen output values fluctuate based on CCT and CRI. To estimate delivered lumen output of various CCT/CRI options, multiply nominal lumens (1250 lumens @12W, 1450 lumens @15W) by the multiplier below.

| CODE | CCT | CRI | TECHNOLOGY | DEGREE | | | |
|------------|-------|-----|---------------|--------|-------|-------|-------|
| | | | | 15 | 25 | 40 | 60 |
| 22H | 2200K | 90+ | Standard | 0.65 | 0.70 | 0.70 | 0.65 |
| 27H | 2700K | 90+ | Standard | 0.75 | 0.85 | 0.85 | 0.80 |
| 30H | 3000K | 90+ | Standard | 0.80 | 0.90 | 0.90 | 0.85 |
| 30B | 3000K | 95+ | Standard | 0.75 | 0.80 | 0.80 | 0.75 |
| 30K | 3000K | 80+ | Standard | 0.95 | 1.05 | 1.05 | 1.00 |
| 30V | 3000K | 90+ | VividLight™* | N/A | 0.75* | 0.75* | 0.70* |
| 30D | 3000K | 90+ | Dim-to-Warm** | N/A | 0.80 | 0.80 | 0.75 |
| 35H | 3500K | 90+ | Standard | 0.85 | 0.95 | 0.95 | 0.90 |
| 40H | 4000K | 90+ | Standard | 0.85 | 0.95 | 0.95 | 0.90 |

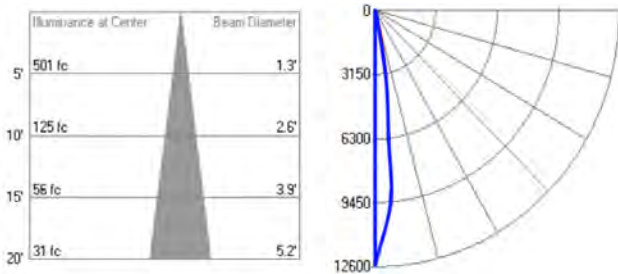
Luminaire maintains a lumen output tolerance of +/-7.5%

*VividLight™ perceived brightness is significantly higher than measured lumens.

**Dim-to-warm dims from 3000K to 1800K

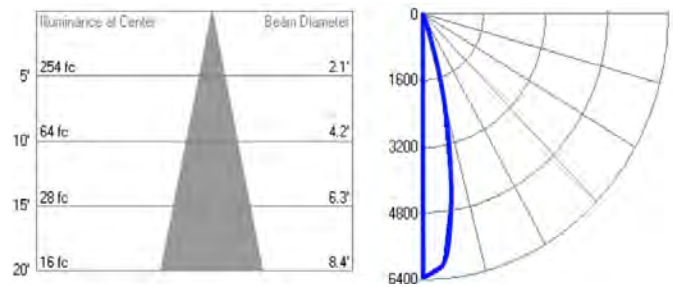
DL75 - 15 Degree

Delivered Light Output: 1296 Lumens
 Total Watts @120V: 15;
 Lumens Per Watt: 86
 Center Beam Candle Power: 12536
 Spacing Criteria: 0.3



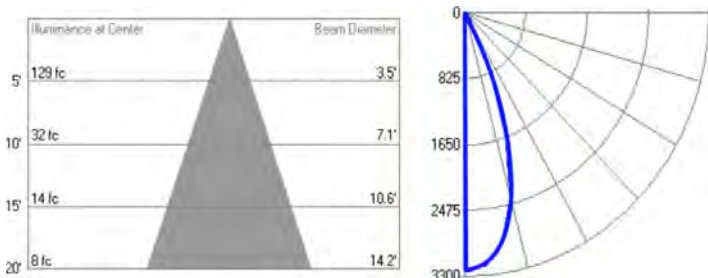
DL75 - 25 Degree

Delivered Light Output: 1466 Lumens
 Total Watts @120V: 15;
 Lumens Per Watt: 97
 Center Beam Candle Power: 6362
 Spacing Criteria: 0.5



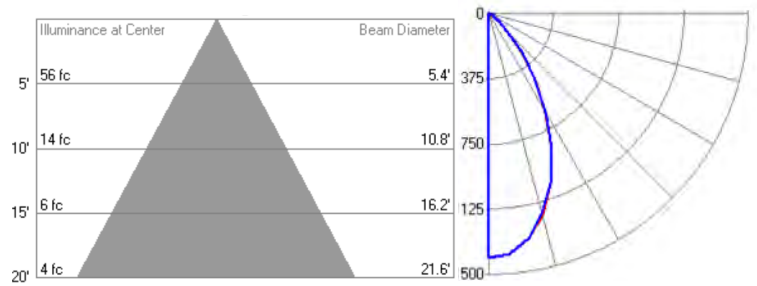
DL75 - 40 Degree

Delivered Light Output: 1474 Lumens
 Total Watts @120V: 15;
 Lumens Per Watt: 98
 Center Beam Candle Power: 3226
 Spacing Criteria: 0.8



DL75 - 60 Degree

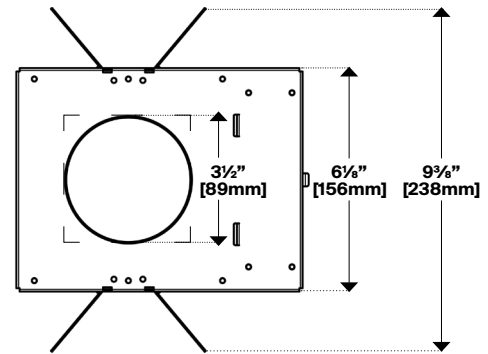
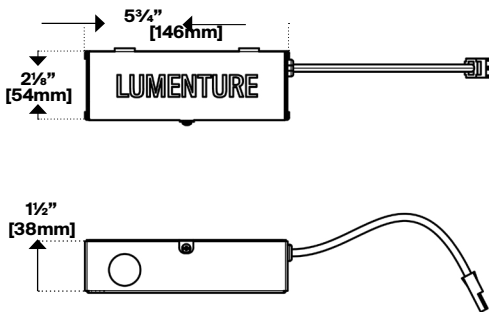
Delivered Light Output: 1401 Lumens
 Total Watts @120V: 15;
 Lumens Per Watt: 93
 Center Beam Candle Power: 1403
 Spacing Criteria: 0.9



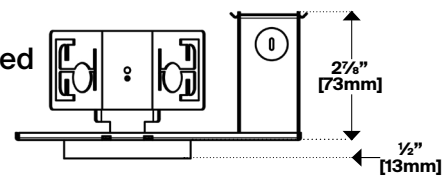


HOUSING

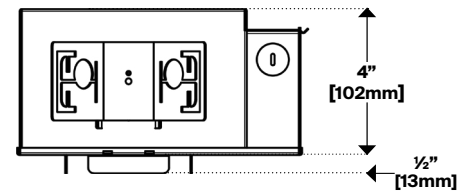
**R - Retrofit, Non-IC-Rated
(Loose Junction Box)**



**N - Open,
Non-IC-Rated**



**C - Closed,
IC-Rated**



DIMMING

Dimming is standard and allows for smooth illumination below 1% with certain dimmers. The “U” (Universal) driver accepts 120-277V AC Input and is compatible with 0-10V, Triac (forward phase) and ELV (reverse phase) dimmers. The “T” (Triac/ELV) driver is 120V AC Input only and compatible with Triac and ELV dimmers. For dimmer compatibility, refer to the Fixture Dimming Compatibility document on our website.



ACCESSORIES

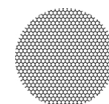
Battery, Field replaceable optics & Accessories. Emergency backup options available, please consult factory.



LENSES & LOUVERS

DL75-x
Lens Accessories

- CL** (Clear)
- G** (Green)
- LB** (Light Blue)
- LB** (Red)
- RO** (Rose)
- Y** (Yellow)
- LS** (Linear Spread)
- SOL** (Solite)



DL75-HL
Black Honeycomb
Louver

Honeycomb Louver can be used in combination with up to two of the thin-film accessories above.