



# DLA100 - 3" ADJUSTABLE DOWNLIGHTS



TYPE: \_\_\_\_\_

PROJECT: \_\_\_\_\_

With a minimal 3" aperture, slim trim and excellent visual cutoff - Lumenture's DLA100 blends discreetly in any environment. These recessed modules offer 40 degrees of tilt, 360 degrees of rotation and deliver high lumens without glare. The result is superior brightness and quality from an unobtrusive fixture. DLA100 is available both with a retrofit housing or with optional rough-in housings to fit any construction needs.



**Dimmable**  
Triac, ELV & 0-10V



**Weight**  
11 oz. (module only)



**Wattage**  
14.5W-1100 lumens  
19W-1500 lumens\*\*



**AC Driver Input**  
Universal: 120-277V  
Triac/ELV: 120V



**Housing Options**  
Open, Non-IC-Rated  
Closed, IC-Rated  
Retrofit, Non-IC-Rated



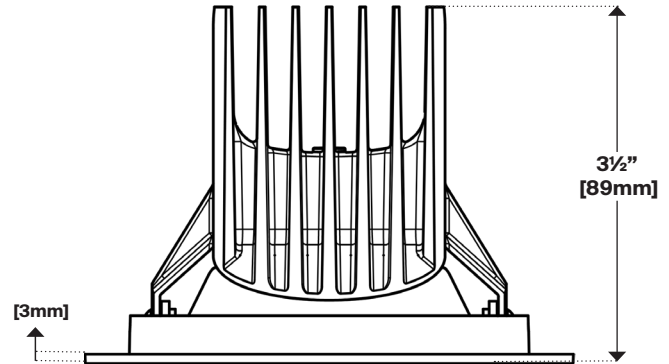
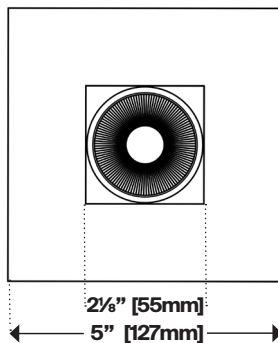
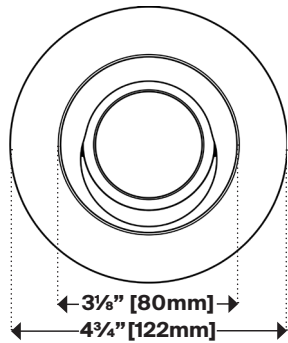
**Material & Finish**  
Die-cast Aluminum  
Module, Powder coat



**Accessories**  
Field replaceable  
optics & accessories



**Movement**  
360° horizontal  
rotation & 40° tilt



## ORDERING

FIXTURE	CCT/CRI*	BEAM SPREAD*	CONE COLOR	TRIM COLOR	TRIM TYPE	DRIVER	OUTPUT (mA)	HOUSING
DLW100 - 3" Adjustable Downlight	22H - 2200K, CRI 90+	15 - 15°	W - White	W - White	R - Round	T - Triac/ELV U - Universal Dimming Driver (Triac, ELV & 0-10V)	350 - 14.5W 450 - 19W**	N - Open, Non-IC-Rated C - Closed, IC-Rated R - Retrofit, Non-IC-Rated
	27H - 2700K, CRI 90+	25 - 25°	B - Black	B - Black	S - Square			
	30K - 3000K, CRI 80+	40 - 40°	S - Specular	C - Custom				
	30H - 3000K, CRI 90+	60 - 60°	C - Custom					
	30B - 3000K, CRI 95+							
	30V - 3000K, CRI 90+, VividLight™							
	30D - 3000K, CRI90+, Dim-to-Warm							
	35H - 3500K, CRI 90+							
40H - 4000K, CRI 90+								

MODULE ORDERING EXAMPLE: **DLA100-30H-25-W-W-R-U-350-C**

\*Custom options available, please consult factory.

\*\*Available with "N" Open, Non-IC-Rated Housing only.

**Listings:** certified to UL standard 1598 and CSA C22.2 No. 250.0-08 for damp locations



Product Specifications subject to change.



www.lumenture.com

20210112

**DLA100 - 3" ADJUSTABLE  
DOWNLIGHTS**



**PHOTOMETRICS**

Lumen output values fluctuate based on CCT and CRI. To estimate delivered lumen output of various CCT/CRI options, multiply nominal lumens (1500 lumens @19W, 1100 lumens@14.5W) by the multiplier below.

CODE	CCT	CRI	TECHNOLOGY	DEGREE			
				15	25	40	60
<b>22H</b>	2200K	90+	Standard	0.65	0.60	0.70	0.75
<b>27H</b>	2700K	90+	Standard	0.80	0.75	0.85	0.90
<b>30H</b>	3000K	90+	Standard	0.85	0.80	0.90	0.95
<b>30B</b>	3000K	95+	Standard	0.75	0.70	0.80	0.85
<b>30K</b>	3000K	80+	Standard	1.00	0.95	1.05	1.10
<b>30V</b>	3000K	90+	VividLight™*	0.70*	0.65*	0.75*	0.80*
<b>30D</b>	3000K	90+	Dim-to-Warm**	0.75	0.70	0.80	0.85
<b>35H</b>	3500K	90+	Standard	0.90	0.85	0.95	1.00
<b>40H</b>	4000K	90+	Standard	0.90	0.85	0.95	1.00

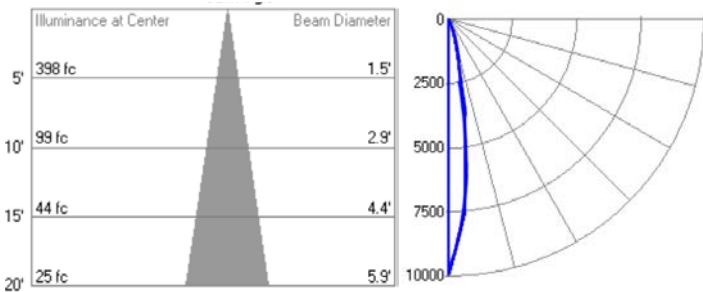
Luminaire maintains a lumen output tolerance of +/-7.5%

\*VividLight™ perceived brightness is significantly higher than measured lumens.

\*\*Dim-to-warm dims from 3000K to 1800K

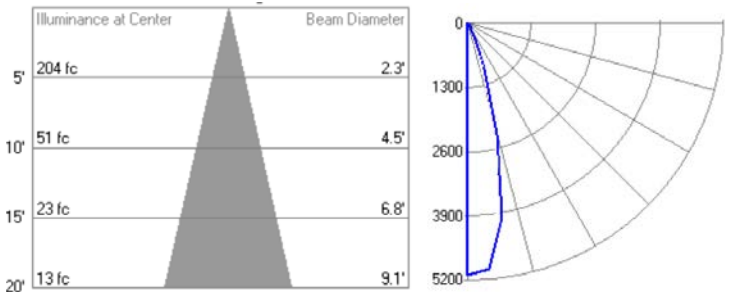
**DLA100 - 15 Degree**

Delivered Light Output: 1363 Lumens  
Total Watts @120V: 14.5;  
Lumens Per Watt: 94  
Center Beam Candle Power: 9945  
Spacing Criteria: 0.3



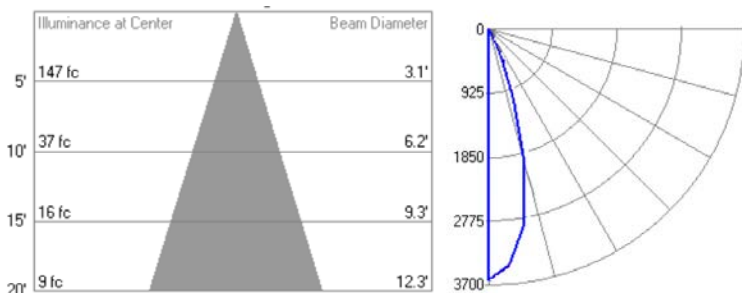
**DLA100 - 25 Degree**

Delivered Light Output: 1311 Lumens  
Total Watts @120V: 14.5;  
Lumens Per Watt: 90  
Center Beam Candle Power: 5100  
Spacing Criteria: 0.4



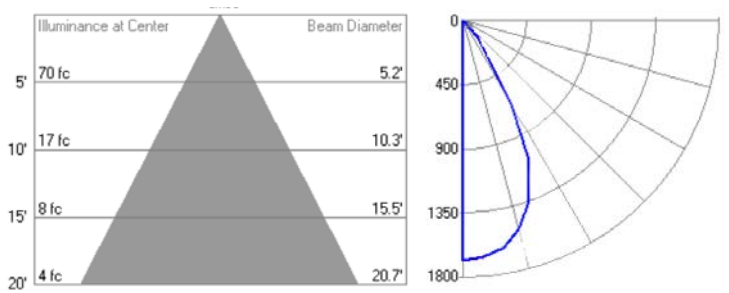
**DLA100 - 40 Degree**

Delivered Light Output: 1387 Lumens  
Total Watts @120V: 14.5;  
Lumens Per Watt: 96  
Center Beam Candle Power: 3635  
Spacing Criteria: 0.6



**DLA100 - 60 Degree**

Delivered Light Output: 1472 Lumens  
Total Watts @120V: 14.5;  
Lumens Per Watt: 101  
Center Beam Candle Power: 1684  
Spacing Criteria: 0.9



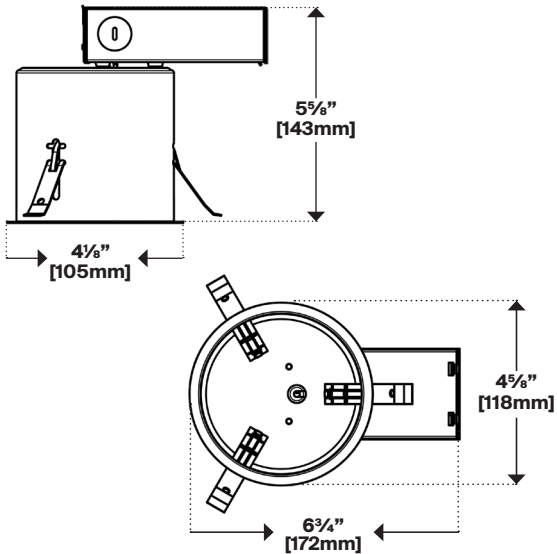


# DLA100 - 3" ADJUSTABLE DOWNLIGHTS



## HOUSINGS

### R - Retrofit, Non-IC-Rated



## DIMMING

Dimming is standard and allows for smooth illumination below 1% with certain dimmers. The "U" (Universal) driver accepts 120-277V AC Input and is compatible with 0-10V, Triac (forward phase) and ELV (reverse phase) dimmers. The "T" (Triac/ELV) driver is 120V AC Input only and compatible with Triac and ELV dimmers. For dimmer compatibility, refer to the Fixture Dimming Compatibility document on our website.



## LENSES & LOUVERS

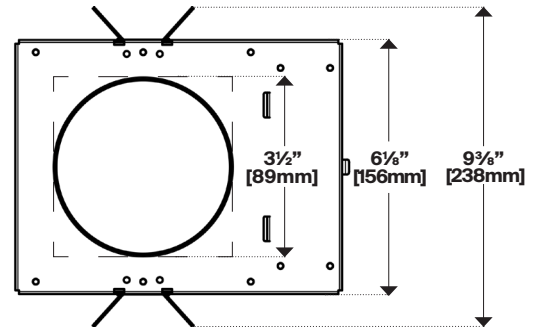
**DL100-x**  
Lens Accessories

- CL** (Clear)
- G** (Green)
- LB** (Light Blue)
- LB** (Red)
- RO** (Rose)
- Y** (Yellow)
- LS** (Linear Spread)
- SOL** (Solite)
- DL100-HL**  
Black Honeycomb Louver

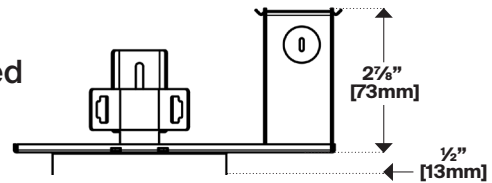
Honeycomb Louver can be used in combination with up to two of the thin-film accessories above.

TYPE: \_\_\_\_\_

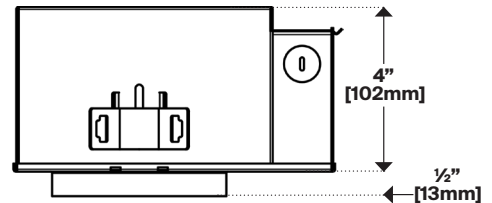
PROJECT: \_\_\_\_\_



### N - Open, Non-IC-Rated



### C - Closed, IC-Rated



## ACCESSORIES

Battery, Field replaceable optics & Accessories. Emergency backup options available, please consult factory.