



DLA60 - 2" ADJUSTABLE DOWNLIGHTS

TYPE: _____

PROJECT: _____



With a discreet 2" aperture, knife-edge trim and excellent visual cutoff - Lumenture's DLA60 blends discreetly in any environment. These recessed modules offer 35 degrees of tilt and deliver high lumens without glare. The result is superior brightness and quality from an unobtrusive fixture. DLA60 is available both as a retrofit model with attached junction box or with optional rough-in housings to fit any construction needs.



Dimmable
Triac, ELV & 0-10V



Weight
11 oz.
(module only)



Wattage
12W-1250 lumens
15W-1450 lumens



AC Driver Input
Universal: 120-277V
Triac/ELV: 120V



Housing Options
Open, Non-IC-Rated
Closed, IC-Rated
Retrofit, Non-IC-Rated



Material & Finish
Aluminum module
trim, Powder coat
or anodized

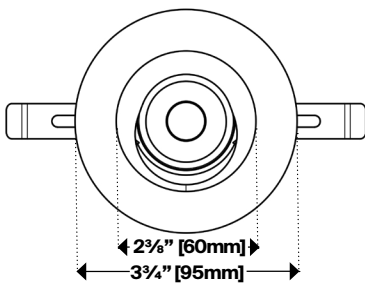


Accessories
Field replaceable
optics & accessories

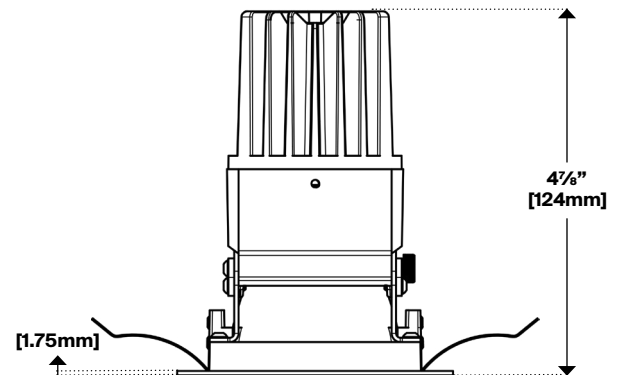
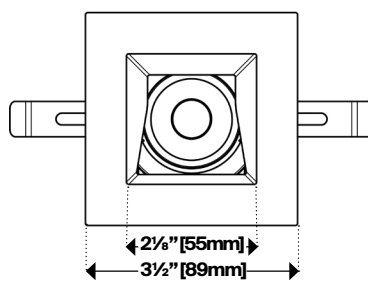


Movement
35° tilt

Round



Square



ORDERING

FIXTURE	CCT/CRI*	BEAM SPREAD*	CONE COLOR	TRIM COLOR	TRIM TYPE	DRIVER	OUTPUT (mA)	HOUSING
DLA60 - 2" Adjustable Downlight	22H - 2200K, CRI 90+	15 - 15°	W - White	W - White	R - Round	T - Triac/ELV U - Universal Dimming Driver (Triac, ELV & 0-10V)	275 - 12W 350 - 15W**	N - Open, Non-IC-Rated C - Closed, IC-Rated R - Retrofit, Non-IC-Rated (No Housing)
	27H - 2700K, CRI 90+	25 - 25°	B - Black	B - Black	S - Square			
	30K - 3000K, CRI 80+	40 - 40°	S - Silver	S - Silver				
	30H - 3000K, CRI 90+	60 - 60°	C - Custom	C - Custom				
	30B - 3000K, CRI 95+							
	30V - 3000K, CRI 90+, VividLight™							
	30D - 3000K, CRI90+, Dim-to-Warm							
	35H - 3500K, CRI 90+							
40H - 4000K, CRI 90+								



ORDERING EXAMPLE: **DLA60-30H-25-W-W-R-U-275-R**

*Custom options available, please consult factory.

**Available with "C" Closed, IC-Rated Housing only.

Listings: certified to UL standard 1598 and CSA C22.2 No. 250.0-08 for damp locations



Product Specifications subject to change.



www.lumenture.com

20210106

**DLA60 - 2" ADJUSTABLE
DOWNLIGHTS**



PHOTOMETRICS

Lumen output values fluctuate based on CCT and CRI. To estimate delivered lumen output of various CCT/CRI options, multiply nominal lumens (1250 lumens @12W, 1450 lumens @15W) by the multiplier below.

CODE	CCT	CRI	TECHNOLOGY	DEGREE			
				15	25	40	60
22H	2200K	90+	Standard	0.65	0.70	0.70	0.65
27H	2700K	90+	Standard	0.75	0.85	0.85	0.80
30H	3000K	90+	Standard	0.80	0.90	0.90	0.85
30B	3000K	95+	Standard	0.75	0.80	0.80	0.75
30K	3000K	80+	Standard	0.95	1.05	1.05	1.00
30V	3000K	90+	VividLight™*	N/A	0.75*	0.75*	0.70*
30D	3000K	90+	Dim-to-Warm**	N/A	0.80	0.80	0.75
35H	3500K	90+	Standard	0.85	0.95	0.95	0.90
40H	4000K	90+	Standard	0.85	0.95	0.95	0.90

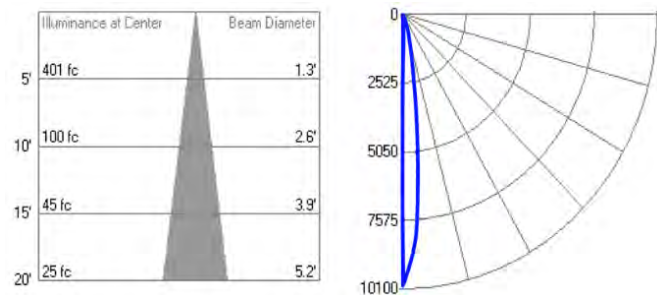
Luminaire maintains a lumen output tolerance of +/-7.5%

*VividLight™ perceived brightness is significantly higher than measured lumens.

**Dim-to-warm dims from 3000K to 1800K

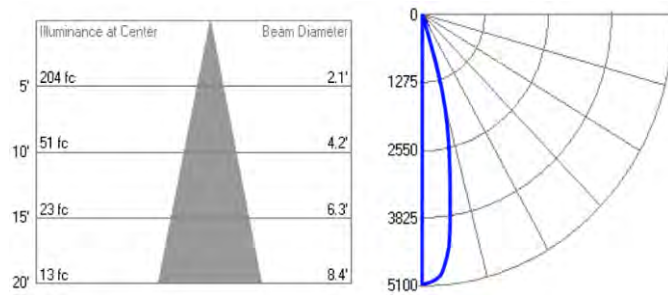
DLA60 - 15 Degree

Delivered Light Output: 1037 Lumens
Total Watts @120V: 12;
Lumens Per Watt: 86
Center Beam Candle Power: 10029
Spacing Criteria: 0.5



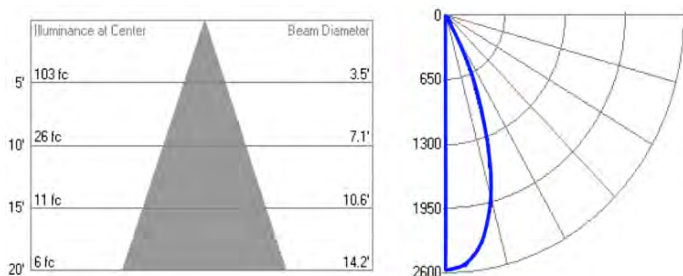
DLA60 - 25 Degree

Delivered Light Output: 1173 Lumens
Total Watts @120V: 12;
Lumens Per Watt: 98
Center Beam Candle Power: 5090
Spacing Criteria: 0.6



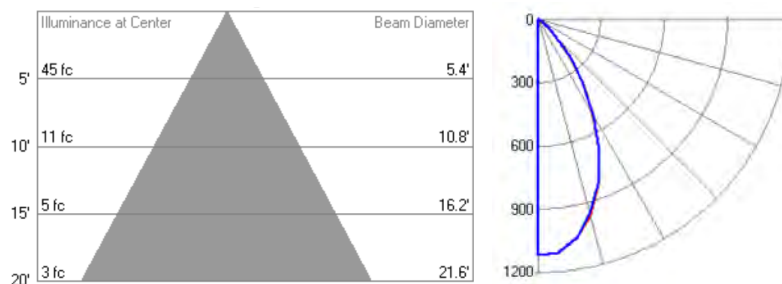
DLA60 - 40 Degree

Delivered Light Output: 1179 Lumens
Total Watts @120V: 12;
Lumens Per Watt: 98
Center Beam Candle Power: 2581
Spacing Criteria: 0.8



DLA60 - 60 Degree

Delivered Light Output: 1120 Lumens
Total Watts @120V: 12;
Lumens Per Watt: 93
Center Beam Candle Power: 1121
Spacing Criteria: 0.9





DLA60 - 2" ADJUSTABLE DOWNLIGHTS

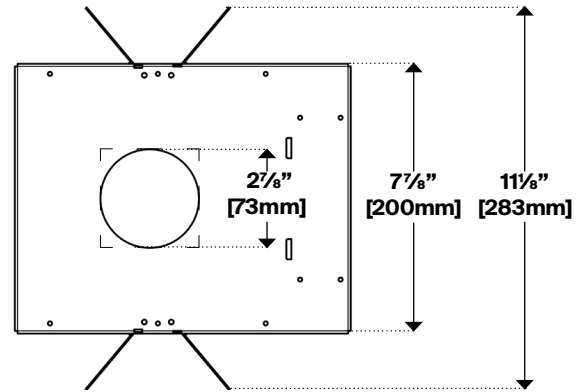
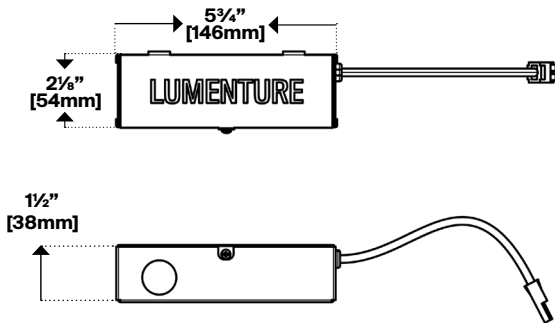
TYPE: _____

PROJECT: _____

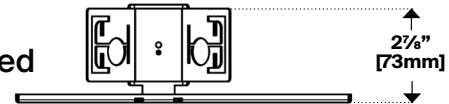


HOUSINGS

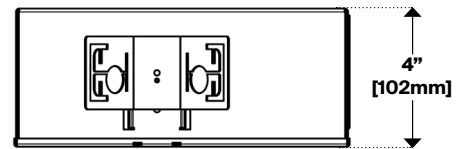
R - Retrofit, Non-IC-Rated (Loose Junction Box)



N - Open, Non-IC-Rated



C - Closed, IC-Rated



DIMMING

Dimming is standard and allows for smooth illumination below 1% with certain dimmers. The "U" (Universal) driver accepts 120-277V AC Input and is compatible with 0-10V, Triac (forward phase) and ELV (reverse phase) dimmers. The "T" (Triac/ELV) driver is 120V AC Input only and compatible with Triac and ELV dimmers. For dimmer compatibility, refer to the Fixture Dimming Compatibility document on our website.



ACCESSORIES

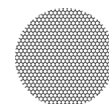
Battery, Field replaceable optics & Accessories. Emergency backup options available, please consult factory.



LENSES & LOUVERS

DL60-x
Lens Accessories

- CL** (Clear)
- G** (Green)
- LB** (Light Blue)
- LB** (Red)
- RO** (Rose)
- Y** (Yellow)
- LS** (Linear Spread)
- SOL** (Solite)



DL60-HL
Black Honeycomb Louver

Honeycomb Louver can be used in combination with up to two of the thin-film accessories above.