



DLW100 - 3" WALLWASHER DOWNLIGHTS

TYPE: _____

PROJECT: _____



With a minimal 3" aperture, slim trim and excellent visual cutoff - Lumenture's DLW100 blends discreetly in any environment. These recessed modules offer 40 degrees of fixed tilt and deliver high lumens without glare. The result is superior brightness and quality from an unobtrusive fixture. DLW100 is available both with a retrofit housing or with optional rough-in housings to fit any construction needs.



Dimmable
Triac, ELV & 0-10V



Weight
11 oz. (module only)



Wattage
14.5W-1100 lumens
19W-1500 lumens **



AC Driver Input
Universal: 120-277V
Triac/ELV: 120V



Housing Options
Open, Non-IC-Rated
Closed, IC-Rated
Retrofit, Non-IC-Rated



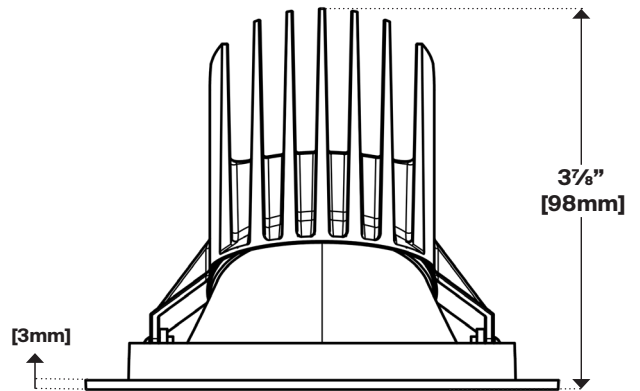
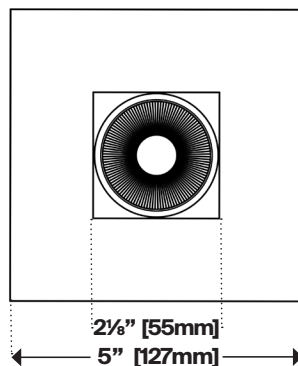
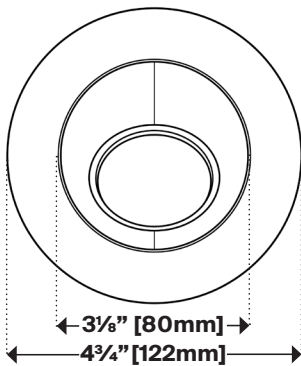
Material & Finish
Die-cast Aluminum
Module, Powder coat



Accessories
Field replaceable
optics & accessories



Movement
360° horizontal
rotation



ORDERING

FIXTURE	CCT/CRI*	BEAM SPREAD*	CONE COLOR	TRIM COLOR	TRIM TYPE	DRIVER	OUTPUT (mA)	HOUSING
DLW100 - 3" Wallwasher Downlight	22H - 2200K, CRI 90+	40 - 40° 60 - 60°	W - White	W - White	R - Round	T - Triac/ELV	350 - 14.5W 450 - 19W **	N - Open, Non-IC-Rated C - Closed, IC-Rated R - Retrofit, Non-IC-Rated
	27H - 2700K, CRI 90+		B - Black	B - Black	S - Square	U - Universal Dimming Driver (Triac, ELV & 0-10V)		
	30K - 3000K, CRI 80+	S - Specular	C - Custom					
	30H - 3000K, CRI 90+							
	30B - 3000K, CRI 95+							
	30V - 3000K, CRI 90+, VividLight™							
	30D - 3000K, CRI90+, Dim-to-Warm							
35H - 3500K, CRI 90+								
40H - 4000K, CRI 90+								

ORDERING EXAMPLE: DLW100-30H-60-W-W-S-U-350-C

*Custom options available, please consult factory.

**Available with "N" Open, Non-IC-Rated Housing only.

Listings: certified to UL standard 1598 and CSA C22.2 No. 250.0-08 for damp locations



Product Specifications subject to change.



www.lumenture.com

20210112



PHOTOMETRICS

Lumen output values fluctuate based on CCT and CRI. To estimate delivered lumen output of various CCT/CRI options, multiply nominal lumens (1500 lumens @19W, 1100 lumens@14.5W) by the multiplier below.

CODE	CCT	CRI	TECHNOLOGY	DEGREE	
				40	60
22H	2200K	90+	Standard	0.70	0.75
27H	2700K	90+	Standard	0.85	0.90
30H	3000K	90+	Standard	0.90	0.95
30B	3000K	95+	Standard	0.80	0.85
30K	3000K	80+	Standard	1.05	1.10
30V	3000K	90+	VividLight™	0.75*	0.80*
30D	3000K	90+	Dim-to-Warm**	0.80	0.85
35H	3500K	90+	Standard	0.95	1.00
40H	4000K	90+	Standard	0.95	1.00

Luminaire maintains a lumen output tolerance of +/-7.5%

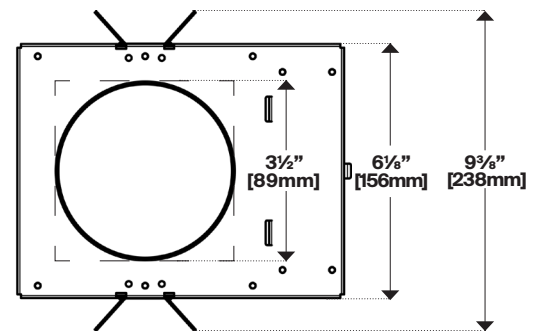
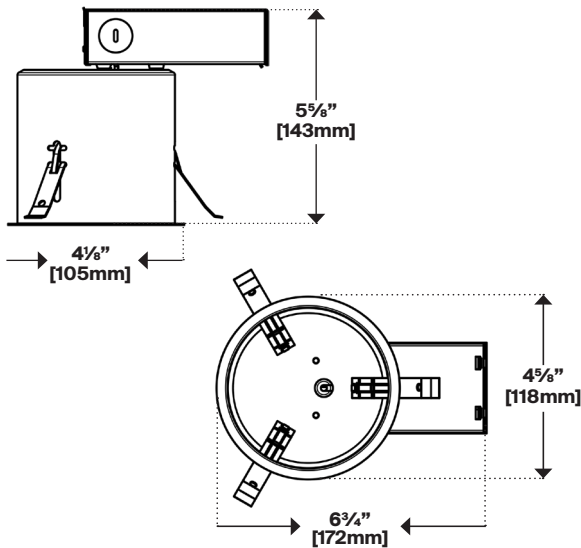
*VividLight™ perceived brightness is significantly higher than measured lumens.

**Dim-to-warm dims from 3000K to 1800K

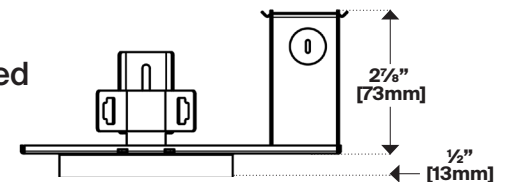


HOUSINGS

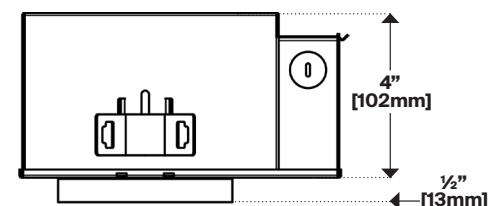
R - Retrofit, Non-IC-Rated



N - Open, Non-IC-Rated



C - Closed, IC-Rated





DIMMING

Dimming is standard and allows for smooth illumination below 1% with certain dimmers. The "U" (Universal) driver accepts 120-277V AC Input and is compatible with 0-10V, Triac (forward phase) and ELV (reverse phase) dimmers. The "T" (Triac/ELV) driver is 120V AC Input only and compatible with Triac and ELV dimmers. For dimmer compatibility, refer to the Fixture Dimming Compatibility document on our website.



ACCESSORIES

Battery, Field replaceable optics & Accessories. Emergency backup options available, please consult factory.



LENSES & LOUVERS

DL100-x

Lens Accessories

 **CL** (Clear)

 **G** (Green)

 **LB** (Light Blue)

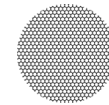
 **LB** (Red)

 **RO** (Rose)

 **Y** (Yellow)

 **LS** (Linear Spread)

 **SOL** (Solite)



DL100-HL
Black Honeycomb
Louver

Honeycomb Louver can be used in combination with up to two of the thin-film accessories above.