

Fixture Dimming Compatibility

CONTENTS

DIMMING DIAGRAMS	1
TRACK HEADS	2
TRACK WALL WASHERS	4
DOWNLIGHTS	5
HALLWAY LIGHTS	6
RECESSED MULTIPLES	7

NOTICE

As a service to our customers Lumenture has tested a variety of dimmer models from major dimmer manufacturers. Our dimming compatibility tables provide the basic dimming percentage performance for a wide variety of Lumenture's products. The information provided in this document is for wired dimmers only.

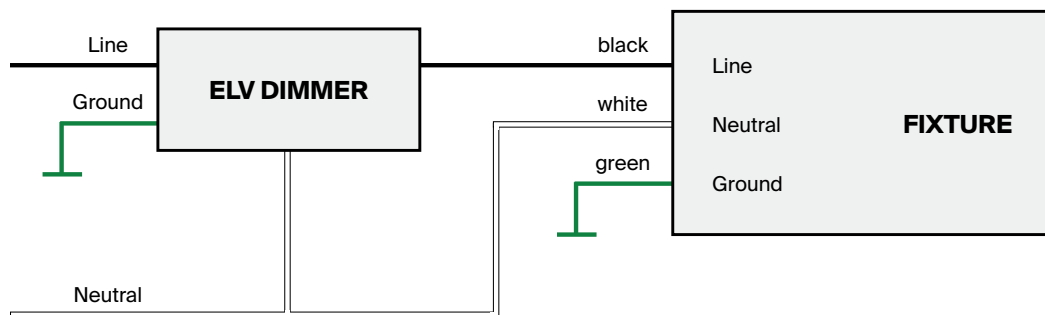
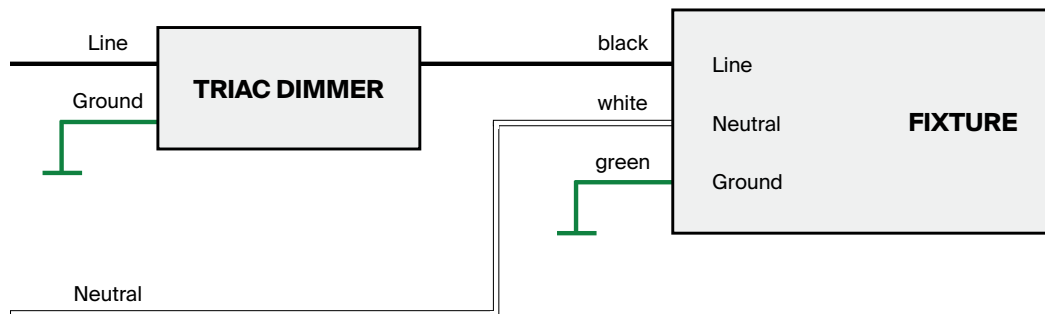
Because of the effects of loading at different power levels and the power quality of the AC power feed in the particular installation, expected minimum dimming level ranges are shown in the table rather than an exact number. We recommend testing your specific dimming schemes as the full configuration (dimmer, fixture quantity, voltage, etc.) may affect your dimming performances.

For additional questions regarding dimmer compatibility, please contact Lumenture's Engineering team for technical support at engineering@lumenture.com or call us at 203.864.3333

TRIAC / ELV PHASE DIMMING

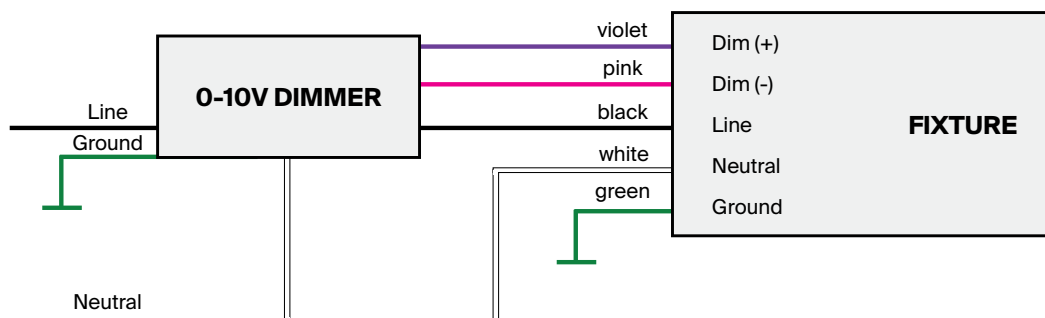
With phase dimming operation, the minimum stable dimming percentage is dependent on the match between the driver in the fixture and the specific dimmer being used. The dimming performance is also dependent on the power quality of the AC input source. The dimming performance can also be somewhat dependent on the number of fixtures attached to the dimmer even if the maximum dimmer wattage has not been exceeded.

Phase dimming is available in two different modes/technologies. **Forward phase** (Triac) and **Reverse phase** (Electronic Low Voltage also known as ELV). The majority of wall box dimmers operate in only one of these modes. There are some advanced dimmers on the market known as phase adaptive dimmers that automatically select either Triac or ELV mode by determining the best performing mode.



0-10V DIMMING

Luminaire products specifying 0-10V dimming are compatible with all 0-10V dimmers compliant with specification IEC 60929 Annex E. The dimmer must be capable of sinking a maximum of 2mA of current from each fixture attached to the dimmer. Dimmer manufacturers such as Lutron, Leviton, Wattstopper, Hunt and Legrand are some of the major manufacturers of 0-10V dimmers that are compatible.



T40 TRACK HEADS

with integral driver

BRAND	DIMMERS			TESTED DATA			
	SERIES	MODEL #	TYPE	MAX LED LOAD (Watts)	CURRENT DROOP % ⁽³⁾	DIMMING % ⁽⁴⁾	JA-8 FLICKER COMPLIANT?
Leviton	Illumitech	IPE04-1LZ	ELV	150	0.06%	>10%	Y
Leviton	Decora	DSE06-10Z	ELV	300	0.00%	>10%	Y
Leviton	Decora	DZ6HD-1BZ	TRIAC	300	-2.29%	1.1%-5.0%	Y
Leviton	Decora	DSL06	TRIAC	300	1.03%	>10%	Y
Leviton	Decora	D26HD-1BW	TRIAC	300	-0.18%	>10%	Y
Leviton	Sureslide	6674POW	TRIAC	150	0.84%	>10%	Y
Lutron	Caseta	PD-5NE	Phase Selectable ⁽¹⁾	250	0.18%	5.1%-9.9%	Y
Lutron	Caseta	PD-6WCL	TRIAC	150	0.36%	≤ 1.0%	Y
Lutron	Diva	DVELV-303P	ELV	300	0.00%	>10%	Y
Lutron	Diva	DVCL-153P	TRIAC	150	0.97%	5.1%-9.9%	Y
Lutron	Maestro	MRF2-600M	TRIAC	150	1.27%	1.1%-5.0%	Y
Lutron	Maestro-CL	MACL-153M	TRIAC	150	-0.48%	1.1%-5.0%	Y
Lutron	RadioRA 2	RRD-PRO	Phase Selectable ⁽²⁾	250	-0.18%	1.1%-5.0%	Y
Lutron	Skylark	SELV-300P	ELV	300	0.54%	>10%	Y
Lutron	Skylark C-L	SCL-153P	TRIAC	150	1.03%	5.1%-9.9%	Y
Lutron	Toggler	AYCL-153P	TRIAC	150	1.33%	5.1%-9.9%	Y

T50 TRACK HEADS

with integral driver

BRAND	DIMMERS			TESTED DATA			
	SERIES	MODEL #	TYPE	MAX LED LOAD (Watts)	CURRENT DROOP % ⁽³⁾	DIMMING % ⁽⁴⁾	JA-8 FLICKER COMPLIANT?
Leviton	Illumitech	IPE04-1LZ	ELV	150	0.15%	5.1%-9.9%	Y
Leviton	Decora	DSE06-10Z	ELV	300	0.06%	5.1%-9.9%	Y
Leviton	Decora	DZ6HD-1BZ	TRIAC	300	1.77%	5.1%-9.9%	Y
Leviton	Decora	DSL06	TRIAC	300	-0.21%	1.1%-5.0%	Y
Leviton	Decora	D26HD-1BW	TRIAC	300	0.06%	5.1%-9.9%	Y
Leviton	Sureslide	6674POW	TRIAC	150	0.90%	1.1%-5.0%	Y
Lutron	Caseta	PD-5NE	Phase Selectable ⁽¹⁾	250	-0.15%	1.1%-5.0%	Y
Lutron	Caseta	PD-6WCL	TRIAC	150	7.48%	≤ 1.0%	Y
Lutron	Diva	DVELV-303P	ELV	300	9.52%	5.1%-9.9%	Y
Lutron	Diva	DVCL-153P	TRIAC	150	2.49%	1.1%-5.0%	Y
Lutron	Maestro	MRF2-600M	TRIAC	150	2.55%	1.1%-5.0%	Y
Lutron	Maestro-CL	MACL-153M	TRIAC	150	5.95%	5.1%-9.9%	Y
Lutron	RadioRA 2	RRD-PRO	Phase Selectable ⁽²⁾	250	3.78%	≤ 1.0%	Y
Lutron	Skylark	SELV-300P	ELV	300	8.29%	5.1%-9.9%	Y
Lutron	Skylark C-L	SCL-153P	TRIAC	150	2.55%	1.1%-5.0%	Y
Lutron	Toggler	AYCL-153P	TRIAC	150	2.61%	1.1%-5.0%	Y

NOTES

1. Tested in ELV mode.
2. Tested in Triac Mode.
3. Represents the Current Droop % or the drop in current when the dimmer is inserted into the circuit. A positive Current Droop % represents a drop in current.
4. Represents the Minimum Dimming level % or the lowest dimming level with no visual flicker, shimmer or fadeout. All dimmers had low-end trim set to the minimum levels during testing.

T65 TRACK HEADS

with integral driver

BRAND	DIMMERS			TESTED DATA			
	SERIES	MODEL #	TYPE	MAX LED LOAD (Watts)	CURRENT DROOP % ⁽³⁾	DIMMING % ⁽⁴⁾	JA-8 FLICKER COMPLIANT?
Leviton	Illumitech	IPE04-1LZ	ELV	150	-0.63%	5.1%-9.9%	Y
Leviton	Decora	DSE06-10Z	ELV	300	-0.50%	5.1%-9.9%	Y
Leviton	Decora	DZ6HD-1BZ	TRIAC	300	-0.50%	1.1%-5.0%	Y
Leviton	Decora	DSL06	TRIAC	300	-0.28%	5.1%-9.9%	Y
Leviton	Decora	D26HD-1BW	TRIAC	300	-0.60%	5.1%-9.9%	Y
Leviton	Sureslide	6674POW	TRIAC	150	-0.48%	5.1%-9.9%	Y
Lutron	Caseta	PD-5NE	Phase Selectable ⁽¹⁾	250	-0.10%	1.1%-5.0%	Y
Lutron	Caseta	PD-6WCL	TRIAC	150	4.97%	≤ 1.0%	Y
Lutron	Diva	DVELV-303P	ELV	300	7.76%	5.1%-9.9%	Y
Lutron	Diva	DVCL-153P	TRIAC	150	0.73%	1.1%-5.0%	Y
Lutron	Maestro	MRF2-600M	TRIAC	150	0.28%	1.1%-5.0%	Y
Lutron	Maestro-CL	MACL-153M	TRIAC	150	3.73%	5.1%-9.9%	Y
Lutron	RadioRA 2	RRD-PRO	Phase Selectable ⁽²⁾	250	2.29%	1.1%-5.0%	Y
Lutron	Skylark	SELV-300P	ELV	300	6.83%	5.1%-9.9%	Y
Lutron	Skylark C-L	SCL-153P	TRIAC	150	0.55%	1.1%-5.0%	Y
Lutron	Toggler	AYCL-153P	TRIAC	150	0.28%	1.1%-5.0%	Y

T80 TRACK HEADS

with integral driver

BRAND	DIMMERS			TESTED DATA			
	SERIES	MODEL #	TYPE	MAX LED LOAD (Watts)	CURRENT DROOP % ⁽³⁾	DIMMING % ⁽⁴⁾	JA-8 FLICKER COMPLIANT?
Leviton	Illumitech	IPE04-1LZ	ELV	150	7.04%	1.1%-5.0%	Y
Leviton	Decora	DSE06-10Z	ELV	300	4.84%	≤ 1.0%	Y
Leviton	Decora	DZ6HD-1BZ	TRIAC	300	7.78%	≤ 1.0%	Y
Leviton	Decora	DSL06	TRIAC	300	8.51%	≤ 1.0%	Y
Leviton	Decora	D26HD-1BW	TRIAC	300	-0.78%	5.1%-9.9%	Y
Leviton	Sureslide	6674POW	TRIAC	150	8.35%	5.1%-9.9%	Y
Lutron	Caseta	PD-5NE	Phase Selectable ⁽¹⁾	250	7.20%	≤ 1.0%	Y
Lutron	Caseta	PD-6WCL	TRIAC	150	10.49%	≤ 1.0%	Y
Lutron	Diva	DVELV-303P	ELV	300	10.04%	1.1%-5.0%	Y
Lutron	Diva	DVCL-153P	TRIAC	150	7.90%	≤ 1.0%	Y
Lutron	Maestro	MRF2-600M	TRIAC	150	29.65%	1.1%-5.0%	Y
Lutron	Maestro-CL	MACL-153M	TRIAC	150	9.02%	1.1%-5.0%	Y
Lutron	RadioRA 2	RRD-PRO	Phase Selectable ⁽²⁾	250	8.12%	≤ 1.0%	Y
Lutron	Skylark	SELV-300P	ELV	300	10.49%	1.1%-5.0%	Y
Lutron	Skylark C-L	SCL-153P	TRIAC	150	8.35%	≤ 1.0%	Y
Lutron	Toggler	AYCL-153P	TRIAC	150	8.39%	≤ 1.0%	Y

NOTES

1. Tested in ELV mode.
2. Tested in Triac Mode.
3. Represents the Current Droop % or the drop in current when the dimmer is inserted into the circuit. A positive Current Droop % represents a drop in current.
4. Represents the Minimum Dimming level % or the lowest dimming level with no visual flicker, shimmer or fadeout. All dimmers had low-end trim set to the minimum levels during testing.

TWW160 TRACK WALL WASHERS

with integral driver

DIMMERS				TESTED DATA			
BRAND	SERIES	MODEL #	TYPE	MAX LED LOAD (Watts)	CURRENT DROOP % ⁽³⁾	DIMMING % ⁽⁴⁾	JA-8 FLICKER COMPLIANT?
Leviton	Illumitech	IPE04-1LZ	ELV	150	3.14%	5.1%-9.9%	Y
Leviton	Decora	DSE06-10Z	ELV	300	-0.26%	5.1%-9.9%	Y
Leviton	Decora	DZ6HD-1BZ	TRIAC	300	4.80%	1.1%-5.0%	Y
Leviton	Decora	DSL06	TRIAC	300	1.80%	1.1%-5.0%	Y
Leviton	Decora	D26HD-1BW	TRIAC	300	-0.29%	5.1%-9.9%	Y
Leviton	Sureslide	6674POW	TRIAC	150	1.02%	5.1%-9.9%	Y
Lutron	Caseta	PD-5NE	Phase Selectable ⁽¹⁾	250	2.18%	1.1%-5.0%	Y
Lutron	Caseta	PD-6WCL	TRIAC	150	10.13%	≤ 1.0%	Y
Lutron	Diva	DVELV-303P	ELV	300	12.86%	5.1%-9.9%	Y
Lutron	Diva	DVCL-153P	TRIAC	150	5.21%	1.1%-5.0%	Y
Lutron	Maestro	MRF2-600M	TRIAC	150	5.32%	1.1%-5.0%	Y
Lutron	Maestro-CL	MACL-153M	TRIAC	150	8.29%	≤ 1.0%	Y
Lutron	RadioRA 2	RRD-PRO	Phase Selectable ⁽²⁾	250	6.14%	1.1%-5.0%	Y
Lutron	Skylark	SELV-300P	ELV	300	9.95%	5.1%-9.9%	Y
Lutron	Skylark C-L	SCL-153P	TRIAC	150	5.12%	1.1%-5.0%	Y
Lutron	Toggler	AYCL-153P	TRIAC	150	5.12%	1.1%-5.0%	Y

TWW180 TRACK WALL WASHERS

with integral driver

DIMMERS				TESTED DATA			
BRAND	SERIES	MODEL #	TYPE	MAX LED LOAD (Watts)	CURRENT DROOP % ⁽³⁾	DIMMING % ⁽⁴⁾	JA-8 FLICKER COMPLIANT?
Leviton	Illumitech	IPE04-1LZ	ELV	150	9.84%	1.1%-5.0%	Y
Leviton	Decora	DSE06-10Z	ELV	300	-2.14%	1.1%-5.0%	Y
Leviton	Decora	DZ6HD-1BZ	TRIAC	300	17.18%	>10%	Y
Leviton	Decora	DSL06	TRIAC	300	8.91%	1.1%-5.0%	Y
Leviton	Decora	D26HD-1BW	TRIAC	300	-0.19%	1.1%-5.0%	Y
Leviton	Sureslide	6674POW	TRIAC	150	8.91%	1.1%-5.0%	Y
Lutron	Caseta	PD-5NE	Phase Selectable ⁽¹⁾	250	9.94%	≤ 1.0%	Y
Lutron	Caseta	PD-6WCL	TRIAC	150	21.08%	≤ 1.0%	Y
Lutron	Diva	DVELV-303P	ELV	300	14.58%	1.1%-5.0%	Y
Lutron	Diva	DVCL-153P	TRIAC	150	14.21%	1.1%-5.0%	Y
Lutron	Maestro	MRF2-600M	TRIAC	150	14.95%	1.1%-5.0%	Y
Lutron	Maestro-CL	MACL-153M	TRIAC	150	18.76%	≤ 1.0%	Y
Lutron	RadioRA 2	RRD-PRO	Phase Selectable ⁽²⁾	250	15.04%	≤ 1.0%	Y
Lutron	Skylark	SELV-300P	ELV	300	13.18%	1.1%-5.0%	Y
Lutron	Skylark C-L	SCL-153P	TRIAC	150	13.65%	1.1%-5.0%	Y
Lutron	Toggler	AYCL-153P	TRIAC	150	13.56%	1.1%-5.0%	Y

NOTES

1. Tested in ELV mode.
2. Tested in Triac Mode.
3. Represents the Current Droop % or the drop in current when the dimmer is inserted into the circuit. A positive Current Droop % represents a drop in current.
4. Represents the Minimum Dimming level % or the lowest dimming level with no visual flicker, shimmer or fadeout. All dimmers had low-end trim set to the minimum levels during testing.

DL60/DL75/DL100 RECESSED DOWNLIGHTS

PHB 30W-0500-42 @400mA

DIMMERS				TESTED DATA			
BRAND	SERIES	MODEL #	TYPE	MAX LED LOAD (Watts)	CURRENT DROOP % ⁽³⁾	DIMMING % ⁽⁴⁾	JA-8 FLICKER COMPLIANT?
Leviton	Illumitech	IPE04-1LZ	ELV	150	0.10%	1.1%-5.0%	Y
Leviton	Decora	DSE06-10Z	ELV	300	-0.05%	1.1%-5.0%	Y
Leviton	Decora	DZ6HD-1BZ	TRIAC	300	1.91%	1.1%-5.0%	Y
Leviton	Decora	DSL06	TRIAC	300	0.12%	1.1%-5.0%	Y
Leviton	Decora	D26HD-1BW	TRIAC	300	0.07%	1.1%-5.0%	Y
Leviton	Sureslide	6674POW	TRIAC	150	0.12%	1.1%-5.0%	Y
Lutron	Caseta	PD-5NE	Phase Selectable ⁽¹⁾	250	-0.05%	≤ 1.0%	Y
Lutron	Caseta	PD-6WCL	TRIAC	150	11.81%	≤ 1.0%	Y
Lutron	Diva	DVELV-303P	ELV	300	5.49%	1.1%-5.0%	Y
Lutron	Diva	DVCL-153P	TRIAC	150	0.00%	≤ 1.0%	Y
Lutron	Maestro	MRF2-600M	TRIAC	150	5.83%	1.1%-5.0%	Y
Lutron	Maestro-CL	MACL-153M	TRIAC	150	8.65%	1.1%-5.0%	Y
Lutron	RadioRA 2	RRD-PRO	Phase Selectable ⁽²⁾	250	1.10%	1.1%-5.0%	Y
Lutron	Skylark	SELV-300P	ELV	300	5.54%	1.1%-5.0%	Y
Lutron	Skylark C-L	SCL-153P	TRIAC	150	0.12%	≤ 1.0%	Y
Lutron	Toggler	AYCL-153P	TRIAC	150	3.70%	1.1%-5.0%	Y

DL60/DL75/DL100 RECESSED DOWNLIGHTS

PSB 30W-0700-42 @400mA

DIMMERS				TESTED DATA			
BRAND	SERIES	MODEL #	TYPE	MAX LED LOAD (Watts)	CURRENT DROOP % ⁽³⁾	DIMMING % ⁽⁴⁾	JA-8 FLICKER COMPLIANT?
Leviton	Illumitech	IPE04-1LZ	ELV	150	0.17%	1.1%-5.0%	Y
Leviton	Decora	DSE06-10Z	ELV	300	0.15%	1.1%-5.0%	Y
Leviton	Decora	DZ6HD-1BZ	TRIAC	300	1.93%	1.1%-5.0%	Y
Leviton	Decora	DSL06	TRIAC	300	0.20%	1.1%-5.0%	Y
Leviton	Decora	D26HD-1BW	TRIAC	300	0.15%	1.1%-5.0%	Y
Leviton	Sureslide	6674POW	TRIAC	150	0.17%	1.1%-5.0%	Y
Lutron	Caseta	PD-5NE	Phase Selectable ⁽¹⁾	250	0.05%	≤ 1.0%	Y
Lutron	Caseta	PD-6WCL	TRIAC	150	11.94%	≤ 1.0%	Y
Lutron	Diva	DVELV-303P	ELV	300	3.79%	1.1%-5.0%	Y
Lutron	Diva	DVCL-153P	TRIAC	150	0.42%	≤ 1.0%	Y
Lutron	Maestro	MRF2-600M	TRIAC	150	6.43%	≤ 1.0%	Y
Lutron	Maestro-CL	MACL-153M	TRIAC	150	0.17%	1.1%-5.0%	Y
Lutron	RadioRA 2	RRD-PRO	Phase Selectable ⁽²⁾	250	0.22%	≤ 1.0%	Y
Lutron	Skylark	SELV-300P	ELV	300	3.82%	1.1%-5.0%	Y
Lutron	Skylark C-L	SCL-153P	TRIAC	150	3.72%	≤ 1.0%	Y
Lutron	Toggler	AYCL-153P	TRIAC	150	3.52%	≤ 1.0%	Y

NOTES

1. Tested in ELV mode.
2. Tested in Triac Mode.
3. Represents the Current Droop % or the drop in current when the dimmer is inserted into the circuit. A positive Current Droop % represents a drop in current.
4. Represents the Minimum Dimming level % or the lowest dimming level with no visual flicker, shimmer or fadeout. All dimmers had low-end trim set to the minimum levels during testing.

DL60/DL75/DL100 RECESSED DOWNLIGHTS

ESS 020W-0400-42 @400mA

BRAND	DIMMERS			TESTED DATA			
	SERIES	MODEL #	TYPE	MAX LED LOAD (Watts)	CURRENT DROOP % ⁽³⁾	DIMMING % ⁽⁴⁾	JA-8 FLICKER COMPLIANT?
Leviton	Illumitech	IPE04-1LZ	ELV	150	0.10%	5.1%-9.9%	Y
Leviton	Decora	DSE06-10Z	ELV	300	0.05%	1.1%-5.0%	Y
Leviton	Decora	DZ6HD-1BZ	TRIAC	300	0.00%	1.1%-5.0%	Y
Leviton	Decora	DSL06	TRIAC	300	0.00%	5.1%-9.9%	Y
Leviton	Decora	D26HD-1BW	TRIAC	300	0.00%	5.1%-9.9%	Y
Leviton	Sureslide	6674POW	TRIAC	150	0.00%	1.1%-5.0%	Y
Lutron	Caseta	PD-5NE	Phase Selectable ⁽¹⁾	250	-0.02%	1.1%-5.0%	Y
Lutron	Caseta	PD-6WCL	TRIAC	150	0.00%	≤ 1.0%	Y
Lutron	Diva	DVELV-303P	ELV	300	0.02%	5.1%-9.9%	Y
Lutron	Diva	DVCL-153P	TRIAC	150	0.05%	1.1%-5.0%	Y
Lutron	Maestro	MRF2-600M	TRIAC	150	0.00%	1.1%-5.0%	Y
Lutron	Maestro-CL	MACL-153M	TRIAC	150	0.05%	≤ 1.0%	Y
Lutron	RadioRA 2	RRD-PRO	Phase Selectable ⁽²⁾	250	0.00%	1.1%-5.0%	Y
Lutron	Skylark	SELV-300P	ELV	300	-0.02%	5.1%-9.9%	Y
Lutron	Skylark C-L	SCL-153P	TRIAC	150	0.12%	1.1%-5.0%	Y
Lutron	Toggler	AYCL-153P	TRIAC	150	0.10%	1.1%-5.0%	Y

HL110 HALLWAY LIGHTS

PSB 30W-0700-42 @400mA

BRAND	DIMMERS			TESTED DATA			
	SERIES	MODEL #	TYPE	MAX LED LOAD (Watts)	CURRENT DROOP % ⁽³⁾	DIMMING % ⁽⁴⁾	JA-8 FLICKER COMPLIANT?
Leviton	Illumitech	IPE04-1LZ	ELV	150	0.17%	1.1%-5.0%	Y
Leviton	Decora	DSE06-10Z	ELV	300	0.15%	1.1%-5.0%	Y
Leviton	Decora	DZ6HD-1BZ	TRIAC	300	1.93%	1.1%-5.0%	Y
Leviton	Decora	DSL06	TRIAC	300	0.20%	1.1%-5.0%	Y
Leviton	Decora	D26HD-1BW	TRIAC	300	0.15%	1.1%-5.0%	Y
Leviton	Sureslide	6674POW	TRIAC	150	0.17%	1.1%-5.0%	Y
Lutron	Caseta	PD-5NE	Phase Selectable ⁽¹⁾	250	0.05%	≤ 1.0%	Y
Lutron	Caseta	PD-6WCL	TRIAC	150	11.94%	≤ 1.0%	Y
Lutron	Diva	DVELV-303P	ELV	300	3.79%	1.1%-5.0%	Y
Lutron	Diva	DVCL-153P	TRIAC	150	0.42%	≤ 1.0%	Y
Lutron	Maestro	MRF2-600M	TRIAC	150	6.43%	≤ 1.0%	Y
Lutron	Maestro-CL	MACL-153M	TRIAC	150	0.17%	1.1%-5.0%	Y
Lutron	RadioRA 2	RRD-PRO	Phase Selectable ⁽²⁾	250	0.22%	≤ 1.0%	Y
Lutron	Skylark	SELV-300P	ELV	300	3.82%	1.1%-5.0%	Y
Lutron	Skylark C-L	SCL-153P	TRIAC	150	3.72%	≤ 1.0%	Y
Lutron	Toggler	AYCL-153P	TRIAC	150	3.52%	≤ 1.0%	Y

NOTES

1. Tested in ELV mode.
2. Tested in Triac Mode.
3. Represents the Current Droop % or the drop in current when the dimmer is inserted into the circuit. A positive Current Droop % represents a drop in current.
4. Represents the Minimum Dimming level % or the lowest dimming level with no visual flicker, shimmer or fadeout. All dimmers had low-end trim set to the minimum levels during testing.

RM35-1 1-MODULE RECESSED MULTIPLES

ESS 010W-0500-18 @500mA

DIMMERS				TESTED DATA			
BRAND	SERIES	MODEL #	TYPE	MAX LED LOAD (Watts)	CURRENT DROOP % ⁽³⁾	DIMMING % ⁽⁴⁾	JA-8 FLICKER COMPLIANT?
Leviton	Illumitech	IPE04-1LZ	ELV	150	0.04%	5.1%-9.9%	N
Leviton	Decora	DSE06-10Z	ELV	300	0.02%	5.1%-9.9%	N
Leviton	Decora	DZ6HD-1BZ	TRIAC	300	0.00%	≤ 1.0%	N
Leviton	Decora	DSL06	TRIAC	300	-0.02%	1.1%-5.0%	N
Leviton	Decora	D26HD-1BW	TRIAC	300	0.00%	5.1%-9.9%	N
Leviton	Sureslide	6674POW	TRIAC	150	0.00%	5.1%-9.9%	N
Lutron	Caseta	PD-5NE	Phase Selectable ⁽¹⁾	250	0.06%	1.1%-5.0%	N
Lutron	Caseta	PD-6WCL	TRIAC	150	-0.04%	≤ 1.0%	N
Lutron	Diva	DVELV-303P	ELV	300	0.02%	5.1%-9.9%	N
Lutron	Diva	DVCL-153P	TRIAC	150	0.04%	1.1%-5.0%	N
Lutron	Maestro	MRF2-600M	TRIAC	150	0.00%	1.1%-5.0%	N
Lutron	Maestro-CL	MACL-153M	TRIAC	150	0.00%	1.1%-5.0%	N
Lutron	RadioRA 2	RRD-PRO	Phase Selectable ⁽²⁾	250	0.02%	≤ 1.0%	N
Lutron	Skylark	SELV-300P	ELV	300	0.02%	5.1%-9.9%	N
Lutron	Skylark C-L	SCL-153P	TRIAC	150	0.02%	1.1%-5.0%	N
Lutron	Toggler	AYCL-153P	TRIAC	150	0.04%	1.1%-5.0%	N

RM35-2 2-MODULE RECESSED MULTIPLES

ESS 020W-0500-32 @500mA

DIMMERS				TESTED DATA			
BRAND	SERIES	MODEL #	TYPE	MAX LED LOAD (Watts)	CURRENT DROOP % ⁽³⁾	DIMMING % ⁽⁴⁾	JA-8 FLICKER COMPLIANT?
Leviton	Illumitech	IPE04-1LZ	ELV	150	0.06%	5.1%-9.9%	N
Leviton	Decora	DSE06-10Z	ELV	300	0.02%	5.1%-9.9%	N
Leviton	Decora	DZ6HD-1BZ	TRIAC	300	0.08%	≤ 1.0%	N
Leviton	Decora	DSL06	TRIAC	300	0.02%	5.1%-9.9%	N
Leviton	Decora	D26HD-1BW	TRIAC	300	0.02%	≤ 1.0%	N
Leviton	Sureslide	6674POW	TRIAC	150	0.06%	5.1%-9.9%	N
Lutron	Caseta	PD-5NE	Phase Selectable ⁽¹⁾	250	0.02%	1.1%-5.0%	N
Lutron	Caseta	PD-6WCL	TRIAC	150	0.02%	≤ 1.0%	N
Lutron	Diva	DVELV-303P	ELV	300	0.04%	5.1%-9.9%	N
Lutron	Diva	DVCL-153P	TRIAC	150	0.04%	1.1%-5.0%	N
Lutron	Maestro	MRF2-600M	TRIAC	150	-0.04%	1.1%-5.0%	N
Lutron	Maestro-CL	MACL-153M	TRIAC	150	0.00%	≤ 1.0%	N
Lutron	RadioRA 2	RRD-PRO	Phase Selectable ⁽²⁾	250	0.00%	1.1%-5.0%	N
Lutron	Skylark	SELV-300P	ELV	300	0.04%	5.1%-9.9%	N
Lutron	Skylark C-L	SCL-153P	TRIAC	150	0.06%	1.1%-5.0%	N
Lutron	Toggler	AYCL-153P	TRIAC	150	0.06%	1.1%-5.0%	N

NOTES

1. Tested in ELV mode.
2. Tested in Triac Mode.
3. Represents the Current Droop % or the drop in current when the dimmer is inserted into the circuit. A positive Current Droop % represents a drop in current.
4. Represents the Minimum Dimming level % or the lowest dimming level with no visual flicker, shimmer or fadeout. All dimmers had low-end trim set to the minimum levels during testing.

RM35-3 3-MODULE RECESSED MULTIPLES

ESS @500mA

DIMMERS				TESTED DATA			
BRAND	SERIES	MODEL #	TYPE	MAX LED LOAD (Watts)	CURRENT DROOP % ⁽³⁾	DIMMING % ⁽⁴⁾	JA-8 FLICKER COMPLIANT?
Leviton	Illumitech	IPE04-1LZ	ELV	150	-0.02%	5.1%-9.9%	N
Leviton	Decora	DSE06-10Z	ELV	300	0.02%	5.1%-9.9%	N
Leviton	Decora	DZ6HD-1BZ	TRIAC	300	0.02%	1.1%-5.0%	N
Leviton	Decora	DSL06	TRIAC	300	0.02%	1.1%-5.0%	N
Leviton	Decora	D26HD-1BW	TRIAC	300	0.04%	≤ 1.0%	N
Leviton	Sureslide	6674POW	TRIAC	150	0.06%	5.1%-9.9%	N
Lutron	Caseta	PD-5NE	Phase Selectable ⁽¹⁾	250	0.08%	1.1%-5.0%	N
Lutron	Caseta	PD-6WCL	TRIAC	150	0.04%	1.1%-5.0%	N
Lutron	Diva	DVELV-303P	ELV	300	0.04%	5.1%-9.9%	N
Lutron	Diva	DVCL-153P	TRIAC	150	0.08%	1.1%-5.0%	N
Lutron	Maestro	MRF2-600M	TRIAC	150	0.04%	1.1%-5.0%	N
Lutron	Maestro-CL	MACL-153M	TRIAC	150	0.00%	1.1%-5.0%	N
Lutron	RadioRA 2	RRD-PRO	Phase Selectable ⁽²⁾	250	0.00%	1.1%-5.0%	N
Lutron	Skylark	SELV-300P	ELV	300	0.02%	5.1%-9.9%	N
Lutron	Skylark C-L	SCL-153P	TRIAC	150	0.02%	1.1%-5.0%	N
Lutron	Toggler	AYCL-153P	TRIAC	150	0.00%	1.1%-5.0%	N

RM35-3 3-MODULE RECESSED MULTIPLES

PSB 30W-0700-42 @450mA

DIMMERS				TESTED DATA			
BRAND	SERIES	MODEL #	TYPE	MAX LED LOAD (Watts)	CURRENT DROOP % ⁽³⁾	DIMMING % ⁽⁴⁾	JA-8 FLICKER COMPLIANT?
Leviton	Illumitech	IPE04-1LZ	ELV	150	0.02%	5.1%-9.9%	Y
Leviton	Decora	DSE06-10Z	ELV	300	0.09%	1.1%-5.0%	Y
Leviton	Decora	DZ6HD-1BZ	TRIAC	300	0.70%	1.1%-5.0%	Y
Leviton	Decora	DSL06	TRIAC	300	0.00%	5.1%-9.9%	Y
Leviton	Decora	D26HD-1BW	TRIAC	300	-0.02%	≤ 1.0%	Y
Leviton	Sureslide	6674POW	TRIAC	150	0.02%	5.1%-9.9%	Y
Lutron	Caseta	PD-5NE	Phase Selectable ⁽¹⁾	250	0.02%	≤ 1.0%	Y
Lutron	Caseta	PD-6WCL	TRIAC	150	3.03%	≤ 1.0%	Y
Lutron	Diva	DVELV-303P	ELV	300	-0.02%	5.1%-9.9%	Y
Lutron	Diva	DVCL-153P	TRIAC	150	1.11%	1.1%-5.0%	Y
Lutron	Maestro	MRF2-600M	TRIAC	150	0.94%	≤ 1.0%	Y
Lutron	Maestro-CL	MACL-153M	TRIAC	150	1.70%	≤ 1.0%	Y
Lutron	RadioRA 2	RRD-PRO	Phase Selectable ⁽²⁾	250	0.09%	≤ 1.0%	Y
Lutron	Skylark	SELV-300P	ELV	300	0.02%	5.1%-9.9%	Y
Lutron	Skylark C-L	SCL-153P	TRIAC	150	0.98%	1.1%-5.0%	Y
Lutron	Toggler	AYCL-153P	TRIAC	150	0.94%	1.1%-5.0%	Y

NOTES

1. Tested in ELV mode.
2. Tested in Triac Mode.
3. Represents the Current Droop % or the drop in current when the dimmer is inserted into the circuit. A positive Current Droop % represents a drop in current.
4. Represents the Minimum Dimming level % or the lowest dimming level with no visual flicker, shimmer or fadeout. All dimmers had low-end trim set to the minimum levels during testing.

RM35-3 3-MODULE RECESSED MULTIPLES

PHB 30W-0500-42 @450mA

DIMMERS				TESTED DATA			
BRAND	SERIES	MODEL #	TYPE	MAX LED LOAD (Watts)	CURRENT DROOP % ⁽³⁾	DIMMING % ⁽⁴⁾	JA-8 FLICKER COMPLIANT?
Leviton	Illumitech	IPE04-1LZ	ELV	150	0.07%	1.1%-5.0%	Y
Leviton	Decora	DSE06-10Z	ELV	300	0.13%	1.1%-5.0%	Y
Leviton	Decora	DZ6HD-1BZ	TRIAC	300	2.11%	1.1%-5.0%	Y
Leviton	Decora	DSL06	TRIAC	300	0.22%	1.1%-5.0%	Y
Leviton	Decora	D26HD-1BW	TRIAC	300	0.28%	1.1%-5.0%	Y
Leviton	Sureslide	6674POW	TRIAC	150	0.26%	1.1%-5.0%	Y
Lutron	Caseta	PD-5NE	Phase Selectable ⁽¹⁾	250	0.02%	≤ 1.0%	Y
Lutron	Caseta	PD-6WCL	TRIAC	150	12.04%	≤ 1.0%	Y
Lutron	Diva	DVELV-303P	ELV	300	6.95%	1.1%-5.0%	Y
Lutron	Diva	DVCL-153P	TRIAC	150	3.72%	≤ 1.0%	Y
Lutron	Maestro	MRF2-600M	TRIAC	150	5.78%	≤ 1.0%	Y
Lutron	Maestro-CL	MACL-153M	TRIAC	150	8.80%	≤ 1.0%	Y
Lutron	RadioRA 2	RRD-PRO	Phase Selectable ⁽²⁾	250	1.52%	≤ 1.0%	Y
Lutron	Skylark	SELV-300P	ELV	300	3.78%	1.1%-5.0%	Y
Lutron	Skylark C-L	SCL-153P	TRIAC	150	3.69%	1.1%-5.0%	Y
Lutron	Toggler	AYCL-153P	TRIAC	150	3.72%	1.1%-5.0%	Y

RM35-4 4-MODULE RECESSED MULTIPLES

PSB 50-080-56 @450mA

DIMMERS				TESTED DATA			
BRAND	SERIES	MODEL #	TYPE	MAX LED LOAD (Watts)	CURRENT DROOP % ⁽³⁾	DIMMING % ⁽⁴⁾	JA-8 FLICKER COMPLIANT?
Leviton	Illumitech	IPE04-1LZ	ELV	150	0.59%	5.1%-9.9%	Y
Leviton	Decora	DSE06-10Z	ELV	300	0.81%	5.1%-9.9%	N
Leviton	Decora	DZ6HD-1BZ	TRIAC	300	1.07%	≤ 1.0%	N
Leviton	Decora	DSL06	TRIAC	300	0.70%	5.1%-9.9%	N
Leviton	Decora	D26HD-1BW	TRIAC	300	0.70%	>10%	Y
Leviton	Sureslide	6674POW	TRIAC	150	0.67%	>10%	N
Lutron	Caseta	PD-5NE	Phase Selectable ⁽¹⁾	250	0.64%	≤ 1.0%	Y
Lutron	Caseta	PD-6WCL	TRIAC	150	5.19%	≤ 1.0%	Y
Lutron	Diva	DVELV-303P	ELV	300	0.66%	5.1%-9.9%	Y
Lutron	Diva	DVCL-153P	TRIAC	150	2.56%	1.1%-5.0%	Y
Lutron	Maestro	MRF2-600M	TRIAC	150	2.45%	1.1%-5.0%	Y
Lutron	Maestro-CL	MACL-153M	TRIAC	150	3.11%	≤ 1.0%	Y
Lutron	RadioRA 2	RRD-PRO	Phase Selectable ⁽²⁾	250	0.55%	≤ 1.0%	Y
Lutron	Skylark	SELV-300P	ELV	300	0.59%	5.1%-9.9%	Y
Lutron	Skylark C-L	SCL-153P	TRIAC	150	2.28%	1.1%-5.0%	Y
Lutron	Toggler	AYCL-153P	TRIAC	150	2.06%	1.1%-5.0%	Y

NOTES

1. Tested in ELV mode.
2. Tested in Triac Mode.
3. Represents the Current Droop % or the drop in current when the dimmer is inserted into the circuit. A positive Current Droop % represents a drop in current.
4. Represents the Minimum Dimming level % or the lowest dimming level with no visual flicker, shimmer or fadeout. All dimmers had low-end trim set to the minimum levels during testing.