

LUMENTURE

C70 CYLINDERS INSTALLATION INSTRUCTIONS



CONTENTS

SECTION 1

pages 1, 2

surface mounted micro canopy

SECTION 2

pages 3, 4

surface mounted slim canopy

SECTION 3

pages 5, 6

pendant mounted micro canopy

SECTION 4

page 7

pendant mounted slim canopy

SECTION 5

page 8

track pendant mounted



IMPORTANT SAFETY INSTRUCTIONS

**Read all the instructions before installation.
Save instructions for later use.**

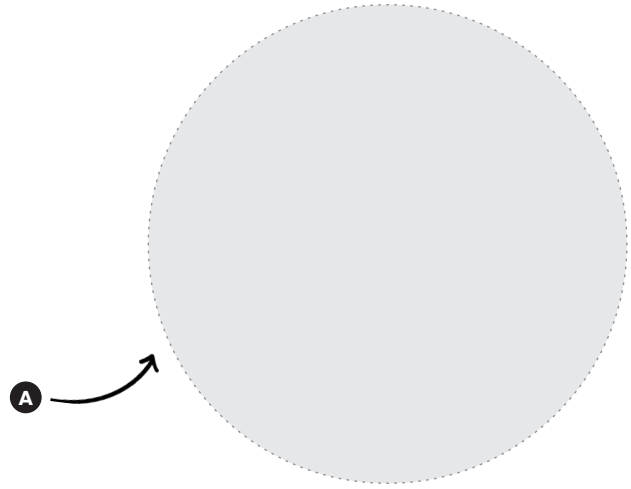
THIS PRODUCT MUST BE INSTALLED IN ACCORDANCE WITH THE APPLICABLE INSTALLATION CODE BY A PERSON FAMILIAR WITH THE CONSTRUCTION AND OPERATION OF THE PRODUCT AND THE HAZARDS INVOLVED. THE POWER UNIT SHOULD BE INSTALLED WHERE IT WILL **NOT** BE SUBJECTED TO ANY MOVEMENT. CONSULT A QUALIFIED ELECTRICIAN TO ENSURE CORRECT BRANCH CIRCUIT CONDUCTOR.

- Make certain power is OFF before installing or maintaining fixture.
- Suitable for installation only in accessible ceilings. Access above the ceiling is required.
- Do not install insulation within 3in (76mm) of any part of the Luminaire.
- Installing contrary to instructions may cause unsafe conditions.
- **WARNING:** Risk of fire or electrical shock.
- **WARNING:** Suitable for dry or damp locations only.

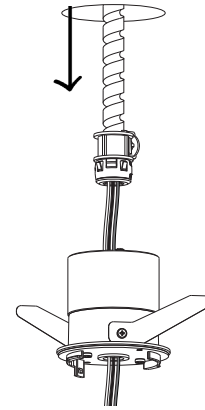
SECTION 1

Surface Mounted Micro Canopy

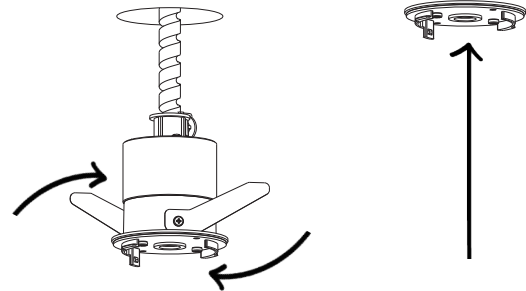
- 1** Cut 2.5" hole in the ceiling.
DO NOT EXCEED 2.5" CEILING CUTOUT. Use template (A) to the right as a guide if needed for accurate ceiling cutout.



- 2** Pull pre-wired flex conduit through the ceiling opening and pull supply wires through the Micro Canopy.



- 3** Attach conduit fitting to the topside of the Micro Canopy and install into the ceiling.
Ensure proper installation by rotating the Micro Canopy clockwise to further engage the springs.



- 4** Attach the safety cable found inside of the module to the Micro Canopy Assembly and make the necessary connections.
See wiring diagrams on next page for more detail.



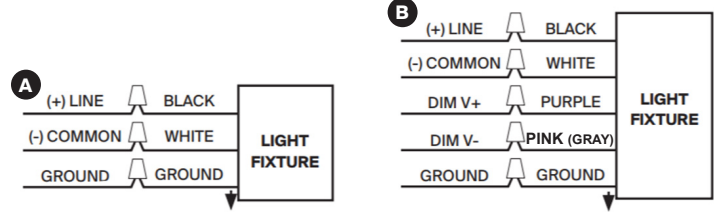
SECTION 1

Surface Mounted Micro Canopy

WIRING

- Connect GROUND wire from fixture to supply ground.
- Connect black fixture lead to (+) LINE supply lead.
- Connect white fixture lead to (-) COMMON supply lead.

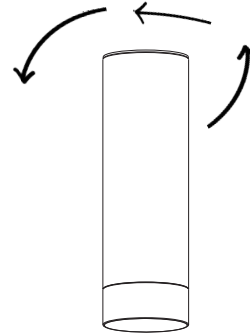
NOTE: Driver permits operation at 120V through 277V, 50Hz or 60Hz. For non-dimming, Triac and Electronic Low Voltage (ELV) dimming, follow wiring directions for Figure (A). Triac/ELV dimming is only available in 120V.



- 5** Once the supply connections are made, raise the module towards the ceiling while aligning the two (2) mounting tabs.



- 6** With the mounting tabs properly aligned, twist the module until the unit clicks into place (~20°).



- 7** Hooray! The fixture is now ready for use. Restore power and enjoy your new lights!



SECTION 2

Surface Mounted Slim Canopy

1 Secure the Crossbar (A) to the Junction Box using two (2) 8-32 X 3/4" screws (B).

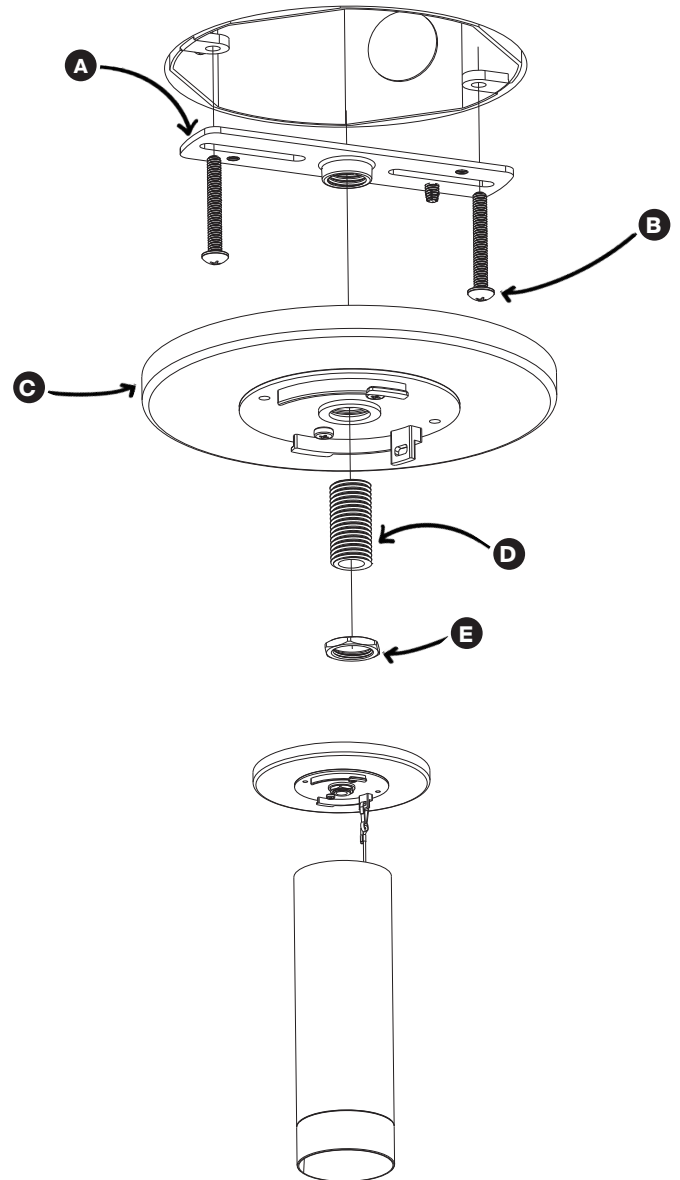
2 Pass supply wires through the Crossbar (A), Slim Canopy Assembly (C) and Hollow Threaded Rod (D).

3 Raise Slim Canopy Assembly (C) towards the ceiling and secure it to the Crossbar (A) using the Hollow Threaded Rod (D) and Panel Nut (E).

The Canopy Cover should sit flush against the ceiling plane when installed correctly.

4 Attach the safety cable found inside of the Module to the Slim Canopy Assembly and make the necessary connections.

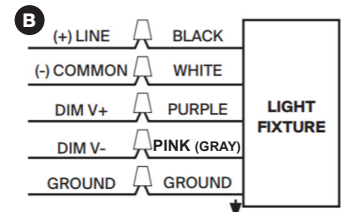
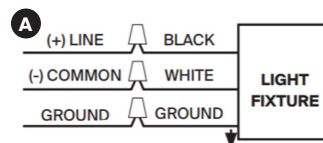
See wiring diagrams below for more details.



WIRING

- Connect GROUND wire from fixture to supply ground.
- Connect black fixture lead to (+) LINE supply lead.
- Connect white fixture lead to (-) COMMON supply lead. For 0-10V dimming, follow wiring directions in Figure (B).

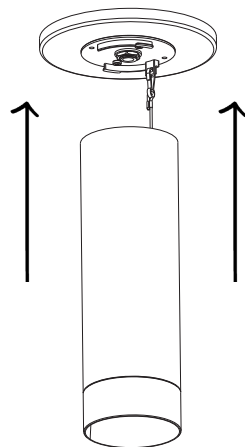
NOTE: Driver permits operation at 120V through 277V, 50Hz or 60Hz. For non-dimming, Triac and Electronic Low Voltage (ELV) dimming, follow wiring directions for Figure (A). Triac/ELV dimming is only available in 120V.



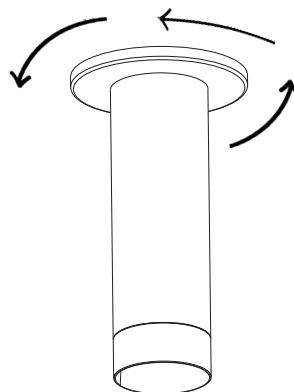
SECTION 2

Surface Mounted Slim Canopy

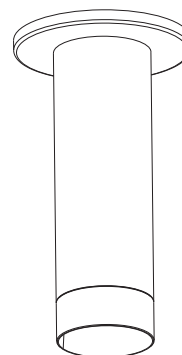
- 5** Once the supply connections are made, raise the Module towards the ceiling while aligning the two (2) mounting tabs.



- 6** With the mounting tabs properly aligned, twist the module until the unit clicks into place (~20°).



- 7** Hooray! The fixture is now ready for use. Restore power and enjoy your new lights!

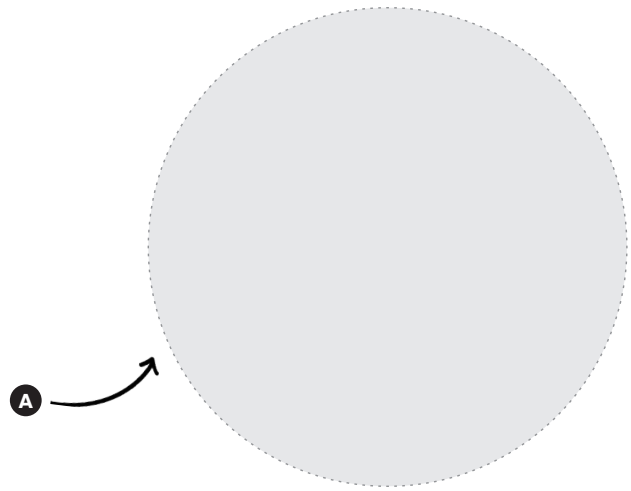


SECTION 3

Pendant Mounted Micro Canopy

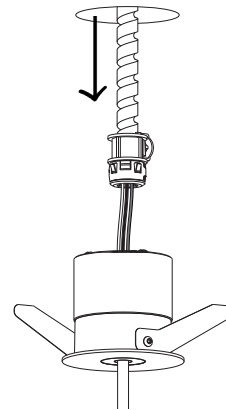
- 1 Cut 2.5" hole in the ceiling.

DO NOT EXCEED 2.5" CEILING CUTOUT. Use template (A) to the right as a guide if needed for accurate ceiling cutout.



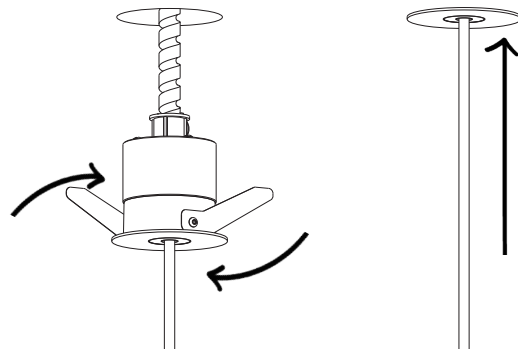
- 2 Pull pre-wired flex conduit through the ceiling opening and connect the supply wires to the flexible cord ends within the Micro Canopy.

The connections will be made within the cylinder.



- 3 Attach conduit fitting to the topside of the Micro Canopy and install into the ceiling.

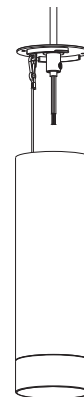
Ensure proper installation by rotating the Micro Canopy clockwise to further engage the springs.



- 4 Attach the safety cable found inside of the module to the Micro Canopy assembly and make the necessary connections.

See wiring diagrams on next page for more detail.

Height adjustment should be made at this stage. To do so, loosen the strain relief set screw and set to the desired height. Trim and strip wires so that only 2" of wire will remain within the cylinder.



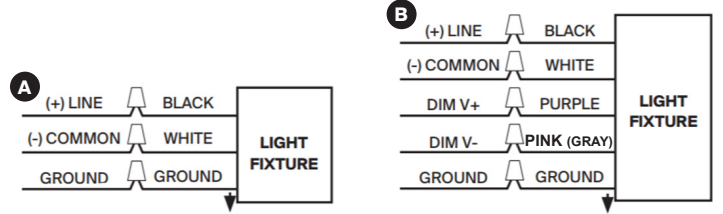
SECTION 3

Pendant Mounted Micro Canopy

WIRING

- Connect GROUND wire from fixture to supply ground.
- Connect black fixture lead to (+) LINE supply lead.
- Connect white fixture lead to (-) COMMON supply lead.

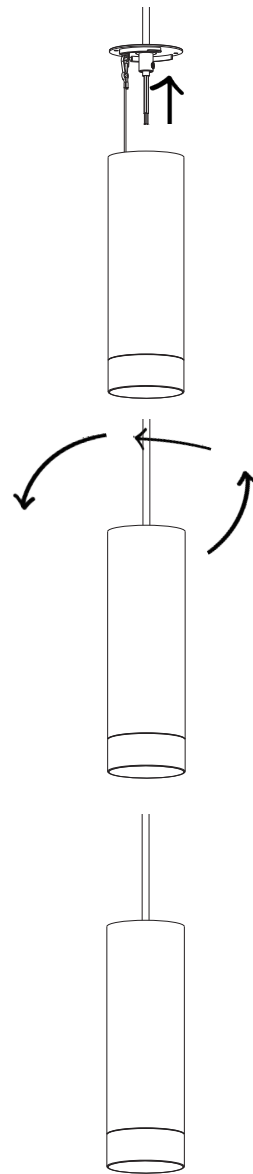
NOTE: Driver permits operation at 120V through 277V, 50Hz or 60Hz. For non-dimming, Triac and Electronic Low Voltage (ELV) dimming, follow wiring directions for Figure (A). Triac/ELV dimming is only available in 120V.



- 5** Once the supply connections are made, raise the module towards the ceiling while aligning the two (2) mounting tabs.

- 6** With the mounting tabs properly aligned, twist the module until the unit clicks into place (~20°).

- 7** Hooray! The fixture is now ready for use. Restore power and enjoy your new lights!



SECTION 4

Pendant Mounted Slim Canopy

1 Secure the Crossbar (A) to the Junction Box using two (2) 8-32 X 3/4" screws (B).

2 Secure the hollow threaded rod (C) to the Crossbar (A) and make the necessary supply connections to the flexible cord within the Junction Box.

3 Raise Slim Canopy (D) towards the ceiling and secure it using the Coupler Strain Relief (E).

Ensure that the Set Screw (F) is tightened against the flexible cord. A knot can be tied in the flexible cord above the Crossbar for additional security.

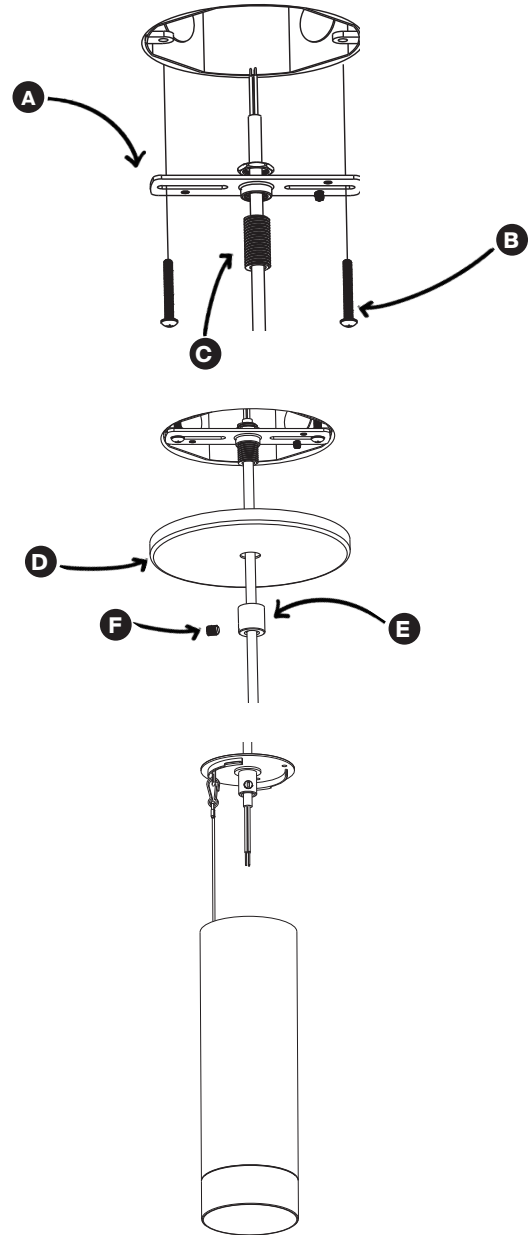
The Canopy Cover should sit flush against the ceiling plane when installed correctly.

4 Attach the safety cable found inside of the Module to the Slim Canopy Assembly and make the necessary connections.

See wiring diagrams below for more details.

Height adjustment should be made at this stage.

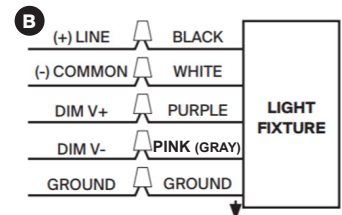
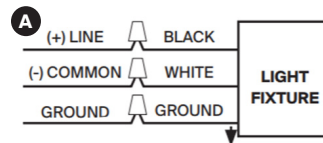
To do so, loosen the strain relief set screw and set to the desired height. Trim and strip wires so that only 2" of wire will remain within the cylinder.



WIRING

- Connect GROUND wire from fixture to supply ground.
 - Connect black fixture lead to (+) LINE supply lead.
 - Connect white fixture lead to (-) COMMON supply lead.
- For 0-10V dimming, follow wiring directions in Figure (B).

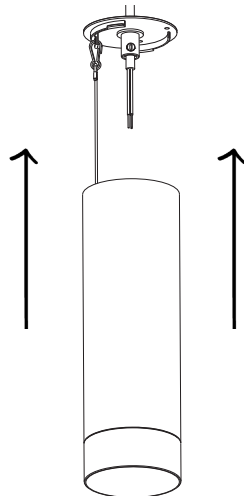
NOTE: Driver permits operation at 120V through 277V, 50Hz or 60Hz. For non-dimming, Triac and Electronic Low Voltage (ELV) dimming, follow wiring directions for Figure (A). Triac/ELV dimming is only available in 120V.



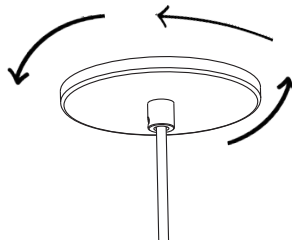
SECTION 4

Pendant Mounted Slim Canopy

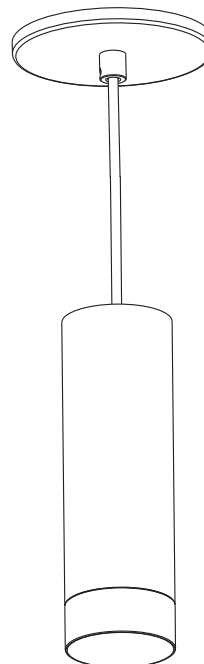
- 5** Once the supply connections are made, raise the Module towards the ceiling while aligning the two (2) mounting tabs.



- 6** With the mounting tabs properly aligned, twist the module until the unit clicks into place (~20°).



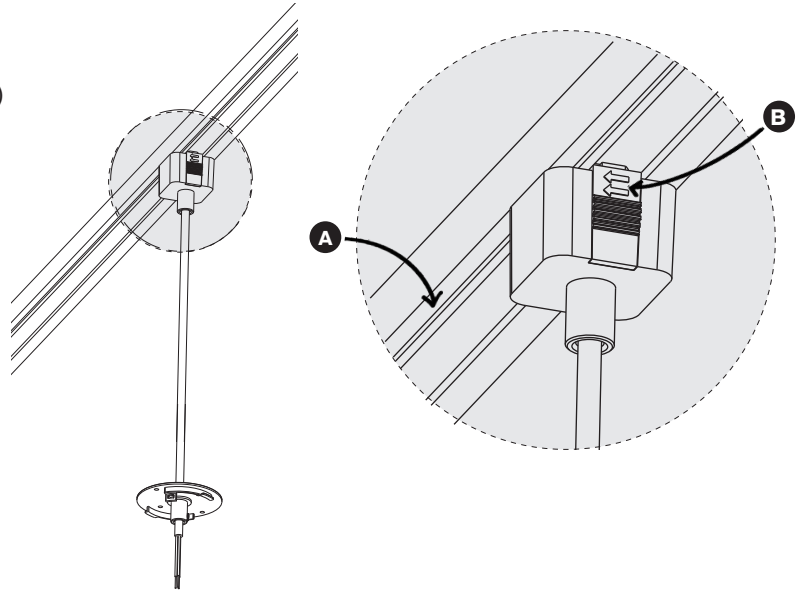
- 7** Hooray! The fixture is now ready for use. Restore power and enjoy your new lights!



SECTION 5

Track Pendant Mounted Canopy

- 1 Insert and rotate track adapter 90°. Note that the arrows (A) should point towards the Track Polarity Groove (B).



- 2 Attach the safety cable found inside of the Module to the Track Pendant Assembly and make the necessary connections.

See wiring diagrams below for more details.

Height adjustment should be made at this stage.

To do so, loosen the strain relief set screw and set to the desired height. Trim and strip wires so that only 2" of wire will remain within the cylinder.



WIRING

- Connect GROUND wire from fixture to supply ground.
 - Connect black fixture lead to (+) LINE supply lead.
 - Connect white fixture lead to (-) COMMON supply lead.
- For 0-10V dimming, follow wiring directions in Figure (B).

NOTE: Driver permits operation at 120V through 277V, 50Hz or 60Hz. For non-dimming, Triac and Electronic Low Voltage (ELV) dimming, follow wiring directions for Figure (A). Triac/ELV dimming is only available in 120V.

