

LUMENTURE®

C70 CYLINDERS

TYPE: _____

PROJECT: _____

With a 2.75" aperture, excellent visual cutoff, and many mounting options - Lumenture's C70 Cylinders blend discreetly into any environment. These fixtures deliver high lumens without glare. The result is superior brightness and quality from an unobtrusive fixture. The Cylinders are available both in surface mount, pendant mount and track mounted options to fit any construction needs.



DIMMING

Triac, ELV, 0-10V, DALI & LEDcode



WEIGHT

11 oz.



WATTAGE

6W-26W



EFFICACY

up to 2200lm
up to 90lm/W



AC DRIVER INPUT

120-277V



FINISH

Aluminum module & trim, Powdercoat



ACCESSORIES

Field replaceable optics & accessories

LISTINGS

Certified to UL standard 1574 and CSA C22.2 No. 9.0 for dry locations (Pendant Track Mounted).

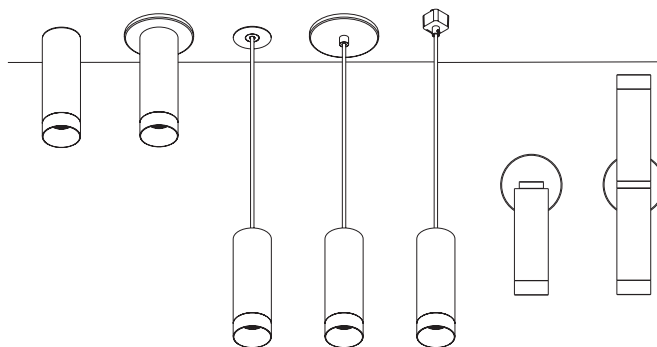
Certified to UL standard 1598 and CSA C22.2 No. 9.0 for damp locations (Surface Mounted and Pendant Mounted options).

Available JA-8 Title-24 combinations are indicated in the ordering.



MOUNTING OPTIONS

Surface Mounted, Pendant Mounted, Pendant Track Mounted, Wall Mounted



FINISH OPTIONS

White, Black, Silver, Custom



BEAM SPREADS



15° 25° 40° 60°

C70 Cylinder Specifications p. 1/8

Custom options available, please consult factory

Product specifications are subject to change

info@lumenture.com P. 203.864.3333



www.lumenture.com
version 20240912

C70 | Surface Mounted Cylinders | Ordering

PRODUCT

C70 - 1 - 2 - 3 - 4 - 5 - 6 - 7 - 8 - 9 - 10 - 11 - 12

ORDERING EXAMPLE: C70 - 220 - 22H - 15 - W - SNC - W - X - X - U - 150 - SMMC - W

[1] FIXTURE

- 220** 220mm Length Surface Mounted Cylinders

[2] CCT/CRI ^{1,2}

- 22H** 2200K, CRI 90+
- 27H** 2700K, CRI 90+ ●
- 30H** 3000K, CRI 90+ ●
- 30B** 3000K, CRI 95+
- 30D** 3000K, CRI 90+ (Dim-to-Warm) ³ ●
- 35H** 3500K, CRI 90+ ●
- 40H** 4000K, CRI 90+ ●

[3] BEAM SPREAD ¹

- 15** 15° ⁴
- 25** 25°
- 40** 40°
- 60** 60°

[4] CYLINDER FINISH ¹

- W** White
- B** Black
- S** Silver

[5] BEZEL TYPE

- SNC** Cylinder Snoot
- DR** Decorative Ring ⁵

[6] BEZEL FINISH ¹

- W** White
- WB** White Exterior / Black Interior
- B** Black
- S** Silver

[7] COLORED LENS ACCESSORIES ⁶

- BL** Lens Blue
- GR** Lens Green
- RE** Lens Red
- RO** Lens Rose
- YE** Lens Yellow
- X** None

[8] LENS ACCESSORIES ⁶

- HL** Black Honeycomb Louver
- LS** Linear Spread
- SOL** Solite Lens
- X** None

[9] DRIVER ⁷

- U** Universal Dimming Driver (Triac, ELV & 0-10V)
- D1** EldoLED DALI/LEDcode (0.1% dimming)
- Z1** EldoLED 0-10V (0.1% dimming)
- X** None (Remote Driver)

[10] OUTPUT (mA) ¹

- 150** 6W, 500lm
- 200** 8W, 750lm
- 250** 10W, 900lm
- 300** 12.5W, 1100lm
- 350** 14.5W, 1250lm
- 400** 16.5W, 1400lm
- 450** 19W, 1600lm ⁸
- 500** 21W, 1750lm ⁸
- 600** 26W, 2100lm ⁸

[11] MOUNTING

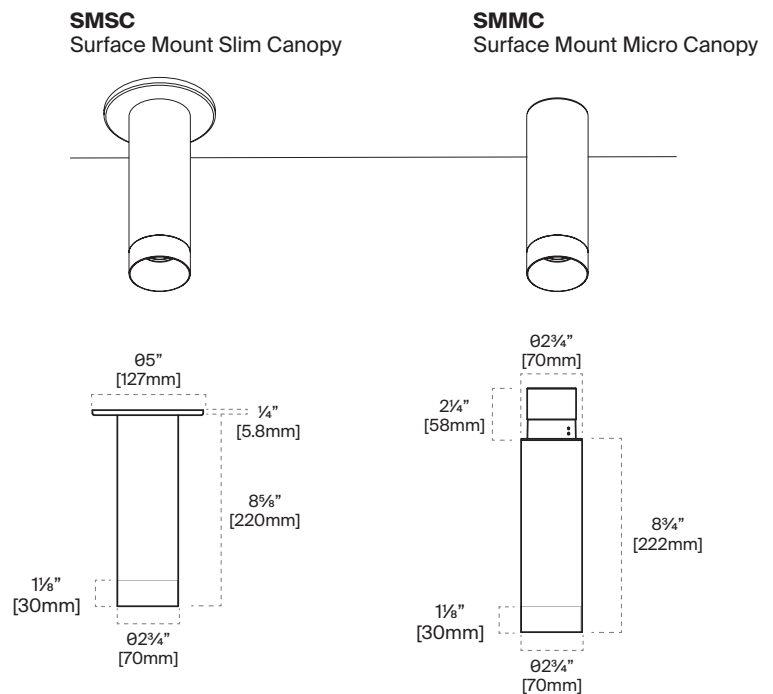
- SMMC** Surface Mount Micro Canopy ⁹
- SMSC** Surface Mount Slim Canopy ¹⁰

[12] SURFACE MOUNT HARDWARE COLOR ¹¹

- W** White
- B** Black
- S** Silver

NOTES

- Custom options available. Please consult factory.
- = JA-8 Title-24 compliant option.
15° beam spread option is NOT JA-8 Title-24 compliant.
- Dim-to-Warm range is from 3000K to 1800K.
Dim-to-Warm option is only available at 350mA.
- Maximum current for 15° beam spread option is 400mA.
- Decorative glow ring replaces the Bezel. Do not specify Bezel Finish.
- A maximum of two optional lens accessories can be installed together (1 Colored Lens and 1 Lens Accessory).
- EM battery backup option available only when the driver is not integral within the cylinder. See page (6) for more information.
- Current settings over 400mA require a remote or canopy driver.
- Cutout dimensions are $\varnothing 2.5$ inches.
Maximum ceiling thickness is $\frac{5}{16}$ " for Micro Canopy Mounting.
Please consult factory for thicker ceilings.
- Mounts to standard 4" junction box.
- Micro Canopy color should be the same as cylinder finish.



C70 | Pendant Mounted Cylinders | Ordering

PRODUCT

C70 - 1 - 2 - 3 - 4 - 5 - 6 - 7 - 8 - 9 - 10 - 11 - 12 - 13

ORDERING EXAMPLE: C70 - 220 - 22H - 15 - W - SNC - W - X - X - U - 150 - PMMC - W - 96

[1] FIXTURE

- 220 220mm Length Pendant Mounted Cylinders

[2] CCT/CRI 1,2

- 22H 2200K, CRI 90+
 27H 2700K, CRI 90+ ●
 30H 3000K, CRI 90+ ●
 30B 3000K, CRI 95+
 30D 3000K, CRI 90+ (Dim-to-Warm) 3 ●
 35H 3500K, CRI 90+ ●
 40H 4000K, CRI 90+ ●

[3] BEAM SPREAD 1

- 15 15° 4
 25 25°
 40 40°
 60 60°

[4] CYLINDER FINISH 1

- W White
 B Black
 S Silver

[5] BEZEL TYPE

- SNC Cylinder Snoot
 DR Decorative Ring 5

[6] BEZEL FINISH 1

- W White
 WB White Exterior / Black Interior
 B Black
 S Silver

[7] COLORED LENS ACCESSORIES 6

- BL Lens Blue
 GR Lens Green
 RE Lens Red
 RO Lens Rose
 YE Lens Yellow
 X None

[8] LENS ACCESSORIES 6

- HL Black Honeycomb Louver
 LS Linear Spread
 SOL Solite Lens
 X None

[9] DRIVER 7

- U Universal Dimming Driver (Triac, ELV & 0-10V)
 D1 EldoLED DALI/LEDcode (0.1% dimming)
 Z1 EldoLED 0-10V (0.1% dimming)
 X None (Remote Driver)

[10] OUTPUT (mA) 1

- 150 6W, 500lm
 200 8W, 750lm
 250 10W, 900lm
 300 12.5W, 1100lm
 350 14.5W, 1250lm
 400 16.5W, 1400lm
 450 19W, 1600lm 8
 500 21W, 1750lm 8
 600 26W, 2100lm 8

[11] MOUNTING

- PMMC Pendant Mount Micro Canopy 9
 PMSC Pendant Mount Slim Canopy 10

[12] CANOPY/CORD/STEM COLOR

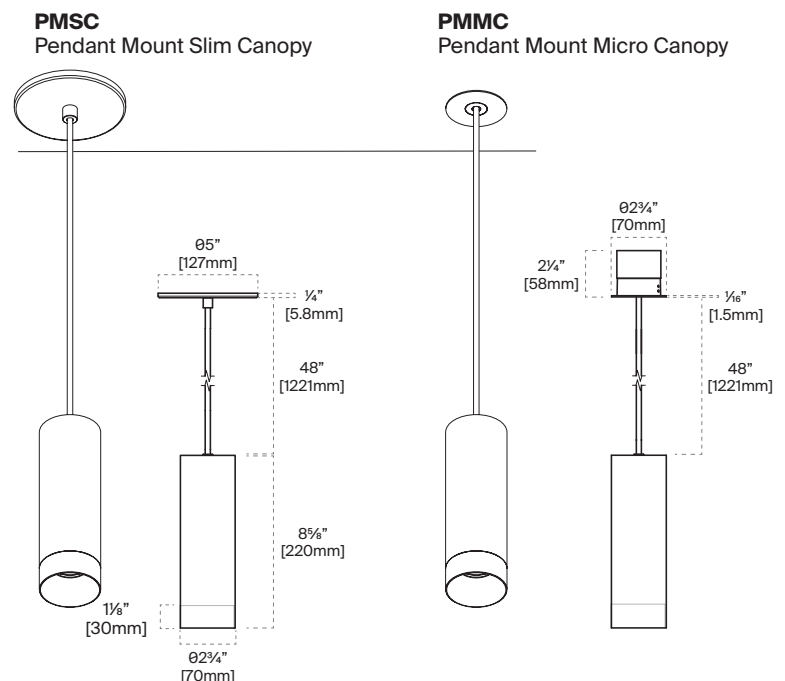
- W White
 B Black
 S Silver 11

[13] CORD LENGTH (IN)

- 96
 240

NOTES

- Custom options available. Please consult factory.
- = JA-8 Title-24 compliant option.
15° beam spread option is NOT JA-8 Title-24 compliant.
- Dim-to-Warm range is from 3000K to 1800K.
Dim-to-Warm option is only available at 350mA.
- Maximum current for 15° beam spread option is 400mA.
- Decorative glow ring replaces the Bezel. Do not specify Bezel Finish.
- A maximum of two optional lens accessories can be installed together (1 Colored Lens and 1 Lens Accessory).
- EM battery backup option available only when the driver is not integral within the cylinder. See page (6) for more information.
- Current settings over 400mA require a remote or canopy driver
- Cutout dimensions are $\varnothing 2.5$ inches.
Maximum ceiling thickness is $\frac{5}{16}$ " for Micro Canopy Mounting.
Please consult factory for thicker ceilings.
- Mounts to standard 4" junction box.
- Silver option will have a Silver Canopy with a Black Cord.



C70 | Pendant Track Mounted Cylinders | Ordering

PRODUCT

C70 - 1 - 2 - 3 - 4 - 5 - 6 - 7 - 8 - 9 - 10 - 11 - 12 - 13

ORDERING EXAMPLE: C70 - 220 - 22H - 15 - W - SNC - W - X - X - T - 150 - PTMJ - W - 48

[1] FIXTURE

- 220** 220mm Length Track Mounted Cylinders

[2] CCT/CRI ^{1,2}

- 22H** 2200K, CRI 90+
- 27H** 2700K, CRI 90+ ●
- 30H** 3000K, CRI 90+ ●
- 30B** 3000K, CRI 95+
- 30D** 3000K, CRI 90+ (Dim-to-Warm) ³ ●
- 35H** 3500K, CRI 90+ ●
- 40H** 4000K, CRI 90+ ●

[3] BEAM SPREAD ¹

- 15** 15° ⁴
- 25** 25°
- 40** 40°
- 60** 60°

[4] CYLINDER FINISH ¹

- W** White
- B** Black
- S** Silver

[5] BEZEL TYPE

- SNC** Cylinder Snoot
- DR** Decorative Ring ⁵

[6] BEZEL FINISH ¹

- W** White
- WB** White Exterior / Black Interior
- B** Black
- S** Silver

[7] COLORED LENS ACCESSORIES ⁶

- BL** Lens Blue
- GR** Lens Green
- RE** Lens Red
- RO** Lens Rose
- YE** Lens Yellow
- X** None

[8] LENS ACCESSORIES ⁶

- HL** Black Honeycomb Louver
- LS** Linear Spread
- SOL** Solite Lens
- X** None

[9] DRIVER

- T** Triac/ELV Dimming Driver

[10] OUTPUT (mA) ¹

- 150** 6W, 500lm
- 200** 8W, 750lm
- 250** 10W, 900lm
- 300** 12.5W, 1100lm
- 350** 14.5W, 1250lm
- 400** 16.5W, 1400lm

[11] MOUNTING

- PTMJ** J-Type Standard Adapter
- PTML** L-Type
- PTMH** H-Type

[12] CORD/ADAPTER COLOR

- W** White
- B** Black

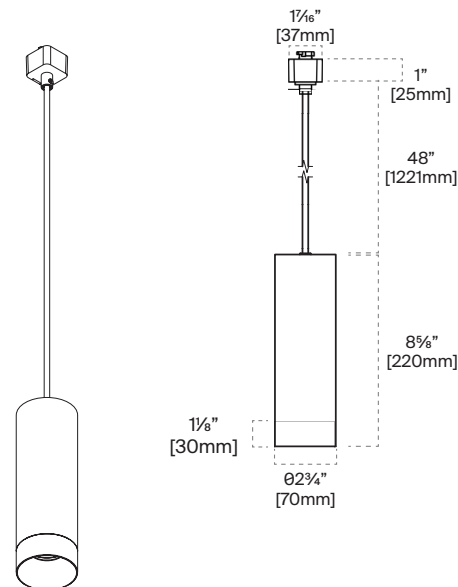
[13] CORD LENGTH (IN) ⁷

- 48**
- 96**
- 240**

NOTES

1. Custom options available. Please consult factory.
2. ● = JA-8 Title-24 compliant option.
15° beam spread option is NOT JA-8 Title-24 compliant.
3. Dim-to-Warm range is from 3000K to 1800K.
Dim-to-Warm option is only available at 350mA.
4. Maximum current for 15° beam spread option is 400mA.
5. Decorative ring replaces the Bezel. Do not specify Bezel Finish.
6. A maximum of two optional lens accessories can be installed together (1 Colored Lens and 1 Lens Accessory).
7. Field Adjustable lengths.

PTM Pendant Track Mount



C70 | Wall Mounted Cylinders | Ordering

PRODUCT

C70 - 1 - 2 - 3 - 4 - 5 - 6 - 7 - 8 - 9 - 10 - 11 - 12

ORDERING EXAMPLE: C70 - 220 - 22H - 15 - W - SNC - W - X - X - U - 150 - WMSC - W

[1] FIXTURE

220 220mm Length Wall Mounted Cylinders

[2] CCT/CRI ^{1,2}

- 22H** 2200K, CRI 90+
- 27H** 2700K, CRI 90+ ●
- 30H** 3000K, CRI 90+ ●
- 30B** 3000K, CRI 95+
- 30D** 3000K, CRI 90+ (Dim-to-Warm) ³ ●
- 35H** 3500K, CRI 90+ ●
- 40H** 4000K, CRI 90+ ●

[3] BEAM SPREAD ¹

- 15** 15° ⁴
- 25** 25°
- 40** 40°
- 60** 60°

[4] CYLINDER FINISH ¹

- W** White
- B** Black
- S** Silver

[5] BEZEL TYPE

- SNC** Cylinder Snoot
- DR** Decorative Ring ⁵

[6] BEZEL FINISH ¹

- W** White
- WB** White Exterior / Black Interior
- B** Black
- S** Silver

[7] COLORED LENS ACCESSORIES ⁶

- BL** Lens Blue
- GR** Lens Green
- RE** Lens Red
- RO** Lens Rose
- YE** Lens Yellow
- X** None

[8] LENS ACCESSORIES ⁶

- HL** Black Honeycomb Louver
- LS** Linear Spread
- SOL** Solite Lens
- X** None

[9] DRIVER ⁷

- U** Universal Dimming Driver (Triac, ELV & 0-10V)
- D1** EldoLED DALI/LEDcode (0.1% dimming)
- Z1** EldoLED 0-10V (0.1% dimming)
- X** None (Remote Driver)

[10] OUTPUT (mA) ¹

- 150** 6W, 500lm
- 200** 8W, 750lm
- 250** 10W, 900lm
- 300** 12.5W, 1100lm
- 350** 14.5W, 1250lm
- 400** 16.5W, 1400lm
- 450** 19W, 1600lm
- 500** 21W, 1750lm
- 600** 26W, 2100lm

[11] MOUNTING

- WMSC** Wall Mount Slim Canopy ⁸

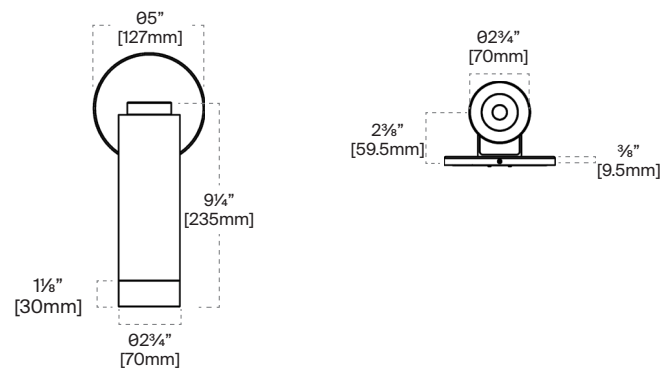
[12] SURFACE MOUNT HARDWARE COLOR

- W** White
- B** Black
- S** Silver

NOTES

1. Custom options available. Please consult factory.
2. ● = JA-8 Title-24 compliant option.
15° beam spread option is NOT JA-8 Title-24 compliant.
3. Dim-to-Warm range is from 3000K to 1800K.
Dim-to-Warm option is only available at 350mA.
4. Maximum current for 15° beam spread option is 400mA.
5. Decorative glow ring replaces the Bezel. Do not specify Bezel Finish.
6. A maximum of two optional lens accessories can be installed together (1 Colored Lens and 1 Lens Accessory).
7. EM battery backup option available only when the driver is not integral within the cylinder. See page (6) for more information.
8. Mounts to standard 4" junction box.

WMSC Wall Mount Slim Canopy



C70 | Up/Down Wall Mounted Cylinders | Ordering

PRODUCT #, Ordering for Up

C70UD - 1 - 2 - 3 - 4 - 5 - 6 - 7 - 8 - 9 - 10 - 13 - 14 - 15 - 16 - 17 - 18 - 19 - 20 - 21 - 22 - 23 - 24

ORDERING EXAMPLE: C70UD - 220 - 22H - 15 - W - SNC - W - X - X - U - 150 - 220 - 22H - 15 - W - SNC - W - X - X - U - 150 - WMSC - W

[1] [13] FIXTURE

220 220mm Length Wall Mounted Cylinders

[2] [14] CCT/CRI ^{1,2}

- 22H** 2200K, CRI 90+
- 27H** 2700K, CRI 90+ ●
- 30H** 3000K, CRI 90+ ●
- 30B** 3000K, CRI 95+
- 30D** 3000K, CRI 90+ (Dim-to-Warm) ³ ●
- 35H** 3500K, CRI 90+ ●
- 40H** 4000K, CRI 90+ ●

[3] [15] BEAM SPREAD ¹

- 15** 15° ⁴
- 25** 25°
- 40** 40°
- 60** 60°

[4] [16] CYLINDER FINISH ¹

- W** White
- B** Black
- S** Silver

[5] [17] BEZEL TYPE

- SNC** Cylinder Snoot
- DR** Decorative Ring ⁵

[6] [18] BEZEL FINISH ¹

- W** White
- WB** White Exterior / Black Interior
- B** Black
- S** Silver

[7] [19] COLORED LENS ACCESSORIES ⁶

- BL** Lens Blue
- GR** Lens Green
- RE** Lens Red
- RO** Lens Rose
- YE** Lens Yellow
- X** None

[8] [20] LENS ACCESSORIES ⁶

- HL** Black Honeycomb Louver
- LS** Linear Spread
- SOL** Solite Lens
- X** None

[9] [21] DRIVER ⁷

- U** Universal Dimming Driver (Triac, ELV & 0-10V)
- D1** EldoLED DALI/LEDcode (0.1% dimming)
- Z1** EldoLED 0-10V (0.1% dimming)
- X** None (Remote Driver)

[10] [22] OUTPUT (mA) ¹

- 150** 6W, 500lm
- 200** 8W, 750lm
- 250** 10W, 900lm
- 300** 12.5W, 1100lm
- 350** 14.5W, 1250lm
- 400** 16.5W, 1400lm
- 450** 19W, 1600lm
- 500** 21W, 1750lm
- 600** 26W, 2100lm

[23] MOUNTING

- WMSC** Wall Mount Slim Canopy ⁸

[24] SURFACE MOUNT HARDWARE COLOR

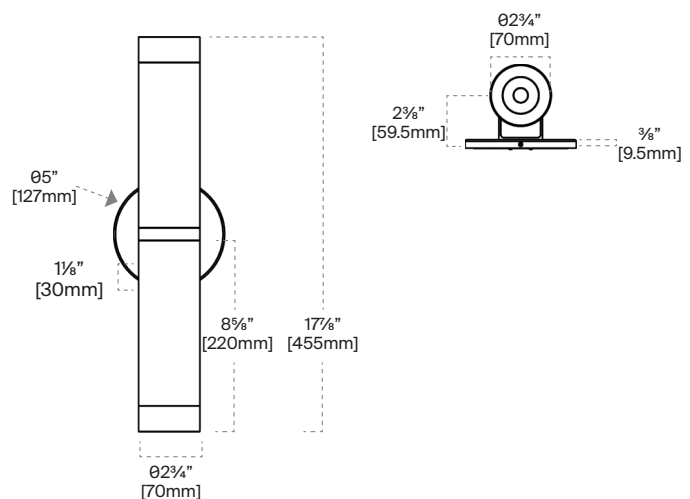
- W** White
- B** Black
- S** Silver

NOTES

1. Custom options available. Please consult factory.
2. ● = JA-8 Title-24 compliant option.
15° beam spread option is NOT JA-8 Title-24 compliant.
3. Dim-to-Warm range is from 3000K to 1800K.
Dim-to-Warm option is only available at 350mA.
4. Maximum current for 15° beam spread option is 400mA.
5. Decorative glow ring replaces the Bezel. Do not specify Bezel Finish.
6. A maximum of two optional lens accessories can be installed together (1 Colored Lens and 1 Lens Accessory).
7. EM battery backup option available only when the driver is not integral within the cylinder. See page (6) for more information.
8. Mounts to standard 4" junction box.

** Please include both up and down fixture specifications in ordering, even if they are the same. Driver type ([9],[21]) should match.

WMSC Up/Down Wall Mount Slim Canopy



C70 CYLINDERS

PHOTOMETRICS

LUMEN OUTPUT

Values fluctuate based on CCT and CRI. To estimate delivered lumen output of various CCT/CRI options, multiply nominal lumens by the multiplier below.

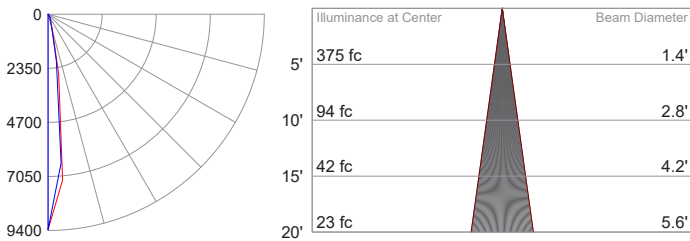
OUTPUT (mA)	WATTAGE	NOMINAL LUMENS
150	6W	550
200	8W	750
250	10W	900
300	12.5W	1100
350	14.5W	1250
400	16.5W	1400
450	19W	1600
500	21W	1750
600	26W	2100

CODE	CCT	CRI	TECHNOLOGY	15°	25°	40°	60°
22H	2200K	90+	Standard	0.65	0.80	0.80	0.70
27H	2700K	90+	Standard	0.75	0.95	0.95	0.85
30H	3000K	90+	Standard	0.80	1.00	1.00	0.90
30B	3000K	95+	Standard	0.70	0.90	0.90	0.80
30D	3000K	90+	Dim-to-Warm	N/A	0.90	0.90	0.80
35H	3500K	90+	Standard	0.85	1.05	1.05	1.05
40H	4000K	90+	Standard	0.85	1.05	1.05	1.05

Luminaire maintains a lumen output tolerance of +/-7.5%
 **Dim-to-Warm dims from 3000K to 1800K

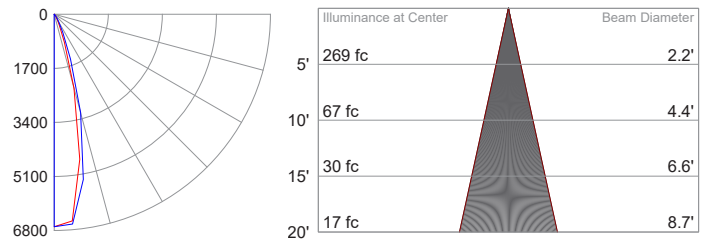
C70 - 15 Degree

Delivered Light Output: 1102 Lumens
 Total Watts @120V: 17;
 Lumens Per Watt: 65
 Center Beam Candle Power: 9363
 Spacing Criteria: 0.32



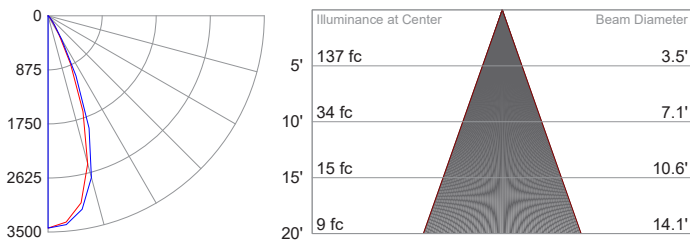
C70 - 25 Degree

Delivered Light Output: 1527 Lumens
 Total Watts @120V: 17;
 Lumens Per Watt: 90
 Center Beam Candle Power: 6683
 Spacing Criteria: 0.44



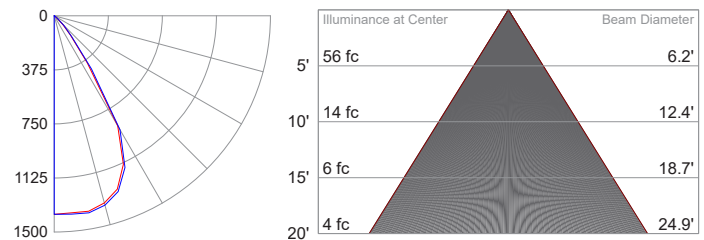
C70 - 40 Degree

Delivered Light Output: 1542 Lumens
 Total Watts @120V: 17;
 Lumens Per Watt: 91
 Center Beam Candle Power: 3437
 Spacing Criteria: 0.66



C70 - 60 Degree

Delivered Light Output: 1387 Lumens
 Total Watts @120V: 17;
 Lumens Per Watt: 82
 Center Beam Candle Power: 1377
 Spacing Criteria: 1.06



C70 CYLINDERS

DIMMING

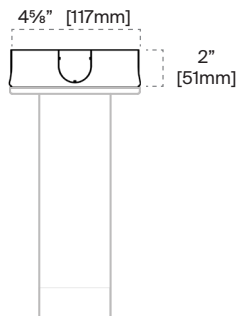
Dimming is standard and allows for smooth illumination below 1% with certain dimmer/driver combinations. The “U” (Universal) driver dims to 1%, accepts 120-277V AC Input and is compatible with 0-10V, Triac (forward phase) and ELV (reverse phase) dimmers. Triac and ELV dimming only available at 120V AC. The “Z1” (0-10V) driver dims to 0.1%, accepts 120-277V AC Input and is compatible with 0-10V dimmers. The “D1” (DALI) driver dims to 0.1%, accepts 120-277V AC Input and is compatible with DALI and DALI 2 dimmers. For dimmer compatibility, refer to the Dimming Compatibility document on our website.

ACCESSORIES

JA-18-[Finish]-Cover (Deep Canopy Collar)

The JA-18 Cover helps shield unsightly surface mount J-Boxes and blends seamlessly with the Standard or Slim Canopy options (sold separately).

Finish: Black (B), White (W). **Ordering Ex:** JA-18-B-Cover



LENS ACCESSORIES

BL
Light Blue Lens

YE
Yellow Lens

GR
Green Lens

HL
Black Honeycomb Louvre

RE
Red Lens

LS
Linear Spread

RO
Rose Lens

SOL
Solite Lens

EMERGENCY BACKUP

	LEM08: Lithonia LEM08-A-06
Output Power:	8W (initial)
Emergency Operation:	90 minutes
Battery Type:	nickel-cadmium
Input Voltage:	120-277 VAC
Output Voltage:	20-50 VDC
Class 2 Output:	Yes
Diagnostic Type:	Manual
Title-20 Compliant:	Yes
Life Expectancy:	7-10 years
Dimensions:	13.4 x 2.4 x 1.6"
Mounting Type:	Remote Inline
Maximum Distance	25 ft
Weight:	2.8 lbs
Cost:	\$\$

NOTES

EM Battery Backup option is only available when the driver is not integral within the cylinder. Access panel is required for service of remote emergency backup battery.