

LUMENTURE®

C95 CYLINDERS

With a 3.75" aperture, excellent visual cutoff, and many mounting options - Lumenture's C95 Cylinders blend discreetly into any environment. These fixtures deliver high lumens without glare. The result is superior brightness and quality from an unobtrusive fixture. The Cylinders are available both in surface mount, pendant mount and track mounted options to fit any construction needs.

TYPE: _____

PROJECT: _____



DIMMING

Triac, ELV, 0-10V, DALI-2 & LEDcode



WEIGHT

12 oz.



WATTAGE

25W-46W



EFFICACY

up to 4000lm
up to 92lm/W



AC DRIVER INPUT

120-277V



FINISH

Aluminum module & trim, Powdercoat



ACCESSORIES

Field replaceable optics & accessories

LISTINGS

Certified to UL standard 1598 and CSA C22.2 No. 9.0 for damp locations (Surface Mounted and Pendant Mounted options).



FINISH OPTIONS

White, Black, Bronze, Silver, Custom



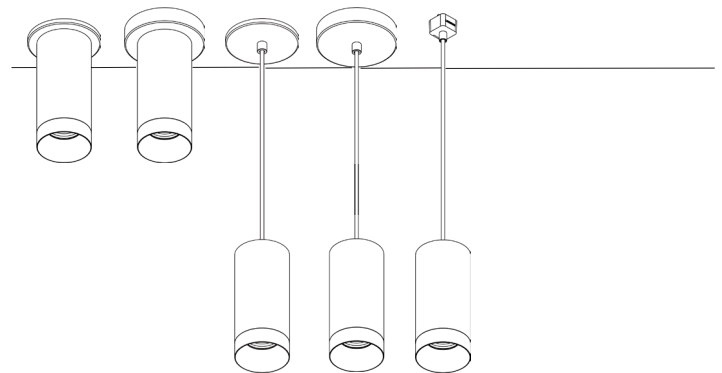
BEAM SPREADS



25° 40° 60°

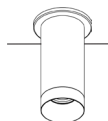
MOUNTING OPTIONS

Surface Mounted, Pendant Mounted, and Pendant Track Mounted



FIXTURE LENGTH

Available in 220mm (8 5/8") length.



C95 | Surface Mounted Cylinders | Ordering

PRODUCT

C95 - 1 - 2 - 3 - 4 - 5 - 6 - 7 - 8 - 9 - 10 - 11 - 12

ORDERING EXAMPLE: C95 - 220 - 30H - 60 - W - SNC - W - X - X - U - 1000 - SMMC - W

[1] FIXTURE LENGTH

- 220** 220mm Length Surface Mounted Cylinders

[2] CCT/CRI ¹

- 27H** 2700K, CRI 90+
 30H 3000K, CRI 90+
 30B 3000K, CRI 95+
 35H 3500K, CRI 90+
 40H 4000K, CRI 90+

[3] BEAM SPREAD ¹

- 15** 15°
 25 25°
 40 40°
 60 60°

[4] CYLINDER FINISH ¹

- W** White
 B Black
 BR Bronze
 S Silver

[5] BEZEL TYPE

- SNC** Cylinder Snoot
 DR Decorative Ring ²

[5] BEZEL FINISH ¹

- W** White
 B Black
 BR Bronze
 S Silver

[7] COLORED LENS ACCESSORIES ³

- BL** Lens Blue
 GR Lens Green
 RE Lens Red
 RO Lens Rose
 YE Lens Yellow
 X None

[8] LENS ACCESSORIES ³

- HL** Black Honeycomb Louver
 LS Linear Spread
 SOL Solite Lens
 X None

[9] DRIVER ⁴

- U** Universal Dimming Driver (Triac, ELV & 0-10V)
 D1 EldoLED DALI-2/LEDcode (0.1% dimming) ^{5,6}
 Z1 EldoLED 0-10V (0.1% dimming) ⁵
 X None (Remote Driver)

[10] OUTPUT (MA) ¹

- 300** 12W, 1200lm
 400 16W, 1600lm
 500 20W, 2000lm
 600 25W, 2300lm
 700 29W, 2700lm
 800 33W, 3000lm
 900 38W, 3400lm
 1000 42W, 3700lm
 1100 47W, 4000lm

[11] MOUNTING

- SMSC** Surface Mount Slim Canopy ⁷
 SMTC Surface Mount Standard Canopy ⁷

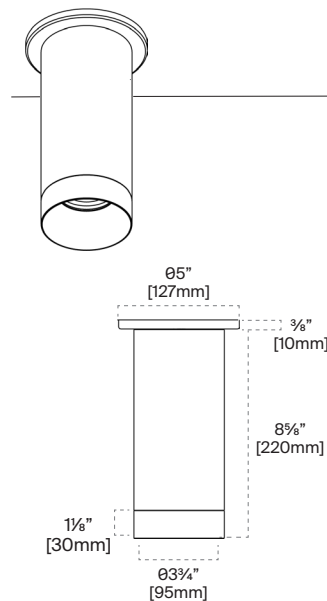
[12] SURFACE MOUNT HARDWARE COLOR

- W** White
 B Black
 BR Bronze
 S Silver

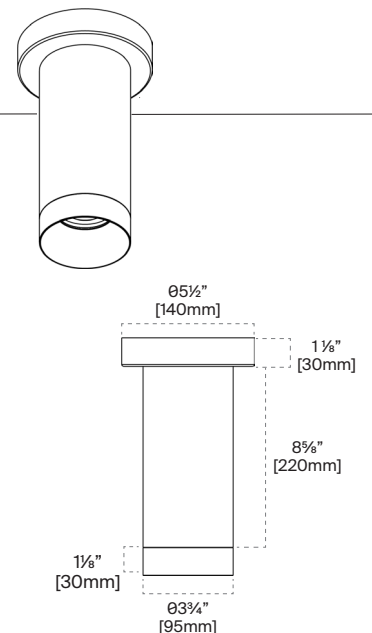
NOTES

1. Custom options available. Please consult factory.
2. Decorative glow ring replaces the Bezel. Do not specify Bezel Finish.
3. A maximum of two optional lens accessories can be installed together (1 Colored Lens and 1 Lens Accessory).
4. EM battery backup option available only when the driver is not integral within the cylinder. See page (8) for more information. Only available up to 900 mA.
5. D1 and Z1 Drivers are only available up to 600 mA.
6. D1 EldoLED DALI-2 assumed DALI-2 protocol. Please consult factory if DALI-1 protocol is needed.
7. Mounts to standard 4" junction box.

SMSC
Surface Mount Slim Canopy



SMTC
Surface Mount Standard Canopy



C95 | Pendant Mounted Cylinders | Ordering

PRODUCT

C95 - 1 - 2 - 3 - 4 - 5 - 6 - 7 - 8 - 9 - 10 - 11 - 12

ORDERING EXAMPLE: C95 - 220 - 30H - 60 - W - SNC - W - X - X - U - 1000 - PMTC - W - 95

[1] FIXTURE LENGTH

- 220** 220mm Length Surface Mounted Cylinders

[2] CCT/CRI ¹

- 27H** 2700K, CRI 90+
 30H 3000K, CRI 90+
 30B 3000K, CRI 95+
 35H 3500K, CRI 90+
 40H 4000K, CRI 90+

[3] BEAM SPREAD ¹

- 15** 15°
 25 25°
 40 40°
 60 60°

[4] CYLINDER FINISH ¹

- W** White
 B Black
 BR Bronze
 S Silver

[5] BEZEL TYPE

- SNC** Cylinder Snoot
 DR Decorative Ring ²

[5] BEZEL FINISH ¹

- W** White
 B Black
 BR Bronze
 S Silver

[7] COLORED LENS ACCESSORIES ³

- BL** Lens Blue
 GR Lens Green
 RE Lens Red
 RO Lens Rose
 YE Lens Yellow
 X None

[8] LENS ACCESSORIES ³

- HL** Black Honeycomb Louver
 LS Linear Spread
 SOL Solite Lens
 X None

[9] DRIVER ⁴

- U** Universal Dimming Driver (Triac, ELV & 0-10V)
 D1 EldoLED DALI/LEDcode (0.1% dimming) ^{5,6}
 Z1 EldoLED 0-10V (0.1% dimming) ⁵
 X None (Remote Driver)

[10] OUTPUT (MA) ¹

- 300** 12W, 1200lm
 400 16W, 1600lm
 500 20W, 2000lm
 600 25W, 2300lm
 700 29W, 2700lm
 800 33W, 3000lm
 900 38W, 3400lm
 1000 42W, 3700lm
 1100 47W, 4000lm

[11] MOUNTING

- PMSC** Pendant Mount Slim Canopy ⁷
 PMTC Pendant Mount Standard Canopy ⁷

[12] SURFACE MOUNT HARDWARE COLOR

- W** White
 B Black
 BR Bronze ⁸
 S Silver ⁸

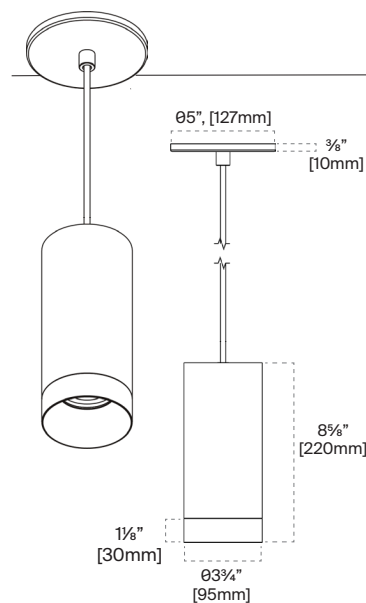
[13] CORD LENGTH (IN)

- 96**
 240

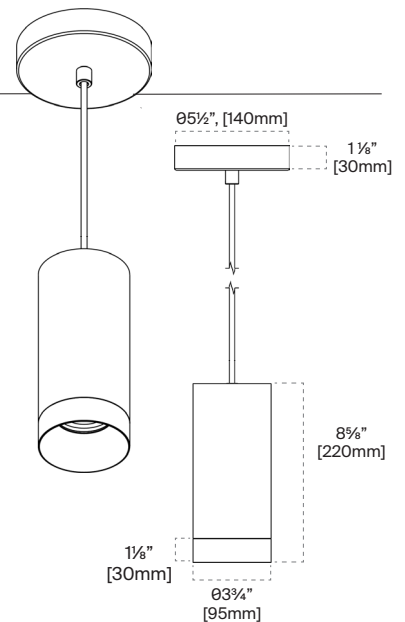
NOTES

1. Custom options available. Please consult factory.
2. Decorative glow ring replaces the Bezel. Do not specify Bezel Finish.
3. A maximum of two optional lens accessories can be installed together (1 Colored Lens and 1 Lens Accessory).
4. EM battery backup option available only when the driver is not integral within the cylinder. See page (8) for more information. Only available up to 900 mA.
5. D1 and Z1 Drivers are only available up to 600 mA.
6. D1 EldoLED DALI-2 assumed DALI-2 protocol. Please consult factory if DALI-1 protocol is needed.
7. Mounts to standard 4" junction box.
8. Silver and Bronze option will have a Silver Canopy with a Black Cord.

PMSC
Pendant Mount Slim Canopy



PMTC
Pendant Mount Standard Canopy



C95 | Pendant Track Mounted Cylinders | Ordering

PRODUCT

C95 - 1 - 2 - 3 - 4 - 5 - 6 - 7 - 8 - 9 - 10 - 11 - 12

ORDERING EXAMPLE: C95 - 220 - 30H - 60 - W - SNC - W - X - X - T - 1000 - PTMJ - W - 48

[1] FIXTURE LENGTH

- 220** 220mm Length Surface Mounted Cylinders

[2] CCT/CRI¹

- 27H** 2700K, CRI 90+
 30H 3000K, CRI 90+
 30B 3000K, CRI 95+
 35H 3500K, CRI 90+
 40H 4000K, CRI 90+

[3] BEAM SPREAD¹

- 15** 15°
 25 25°
 40 40°
 60 60°

[4] CYLINDER FINISH¹

- W** White
 B Black
 BR Bronze
 S Silver

[5] BEZEL TYPE

- SNC** Cylinder Snoot
 DR Decorative Ring²

[5] BEZEL FINISH¹

- W** White
 B Black
 BR Bronze
 S Silver

[7] COLORED LENS ACCESSORIES³

- BL** Lens Blue
 GR Lens Green
 RE Lens Red
 RO Lens Rose
 YE Lens Yellow
 X None

[8] LENS ACCESSORIES³

- HL** Black Honeycomb Louver
 LS Linear Spread
 SOL Solite Lens
 X None

[9] DRIVER

- T** Triac/ELV Dimming Driver
 D1 EldoLED DALI-2/LEDcode (0.1% dimming)^{4,5}
 Z1 EldoLED 0-10V (0.1% dimming)⁴

[10] OUTPUT (MA)¹

- 300** 12W, 1200lm
 400 16W, 1600lm
 500 20W, 2000lm
 600 25W, 2300lm
 700 29W, 2700lm
 800 33W, 3000lm
 900 38W, 3400lm
 1000 42W, 3700lm
 1100 47W, 4000lm

[11] MOUNTING

- PTMJ** J-Type Standard Adapter
 PTML L-Type
 PTMH H-Type
 PTMGA G-Type 120V
 PTMGB G-Type 277V
 PTMSTA Stucchi G-Type (2C/2N) 120V
 PTMSTB Stucchi (2C/2N) 277V
 PTMSTC Stucchi (3C/1N) 120V
 PTMSTE Stucchi Flush (2C/2N) 120V
 PTMSTF Stucchi Flush (2C/2N) 277V
 PTMSTG Stucchi Flush (2C/2N) 120V - 6 Conduct Flush
 PTMSTH Stucchi Flush (2C/2N) 277V - 6 Conduct Flush

[12] SURFACE MOUNT HARDWARE COLOR

- W** White
 B Black

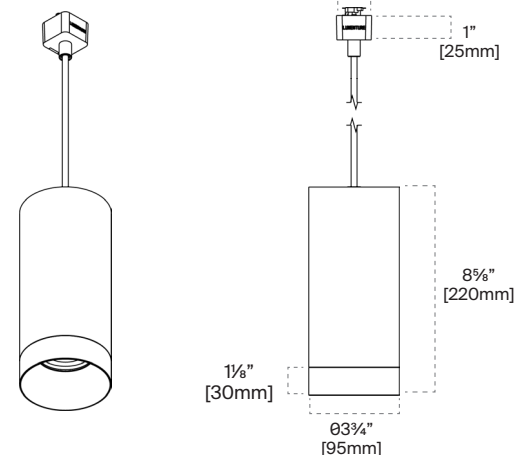
[13] CORD LENGTH (IN)⁶

- 48**
 96
 240

NOTES

1. Custom options available. Please consult factory.
2. Decorative glow ring replaces the Bezel. Do not specify Bezel Finish.
3. A maximum of two optional lens accessories can be installed together (1 Colored Lens and 1 Lens Accessory).
4. D1 and Z1 Drivers are only available up to 600 mA with PRMSTH and PTMSTG track mounting types.
5. D1 EldoLED DALI-2 assumed DALI-2 protocol. Please consult factory if DALI-1 protocol is needed.
6. Field Adjustable lengths.

PTM Pendant Track Mount



LUMEN OUTPUT

Values fluctuate based on CCT and CRI. To estimate delivered lumen output of various CCT/CRI options, multiply nominal lumens by the multiplier below.

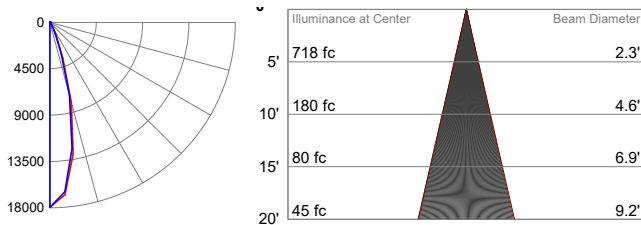
OUTPUT (mA)	WATTAGE	NOMINAL LUMENS
300	12W	1200
400	16W	1600
500	20W	2000
600	25W	2300
700	29W	2700
800	33W	3000
900	38W	3400
1000	42W	3700
1100	47W	4000

CODE	CCT	CRI	TECHNOLOGY	15°	25°	40°	60°
27H	2700K	90+	Standard	0.60	0.95	0.95	0.90
30H	3000K	90+	Standard	0.95	1.00	1.00	0.95
35H	3500K	90+	Standard	0.95	1.00	1.00	1.00
40H	4000K	90+	Standard	0.90	1.05	1.05	1.00

Luminaire maintains a lumen output tolerance of +/-7.5%
 **Dim-to-Warm dims from 3000K to 1800K

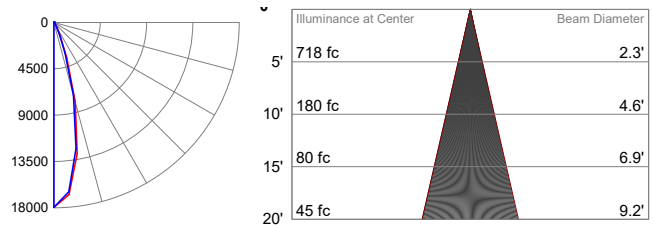
C95 - 15 Degree

Delivered Light Output: 3055 Lumens
 Total Watts @120V: 49;
 Lumens Per Watt: 62
 Center Beam Candle Power: 30829
 Spacing Criteria: 0.26



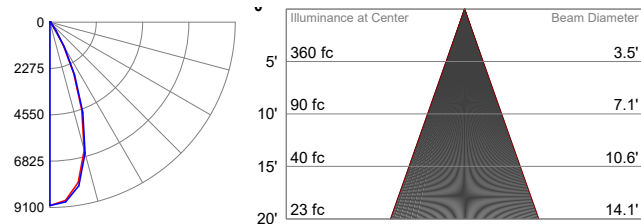
C95 - 25 Degree

Delivered Light Output: 4186 Lumens
 Total Watts @120V: 46;
 Lumens Per Watt: 91
 Center Beam Candle Power: 17957
 Spacing Criteria: 0.48



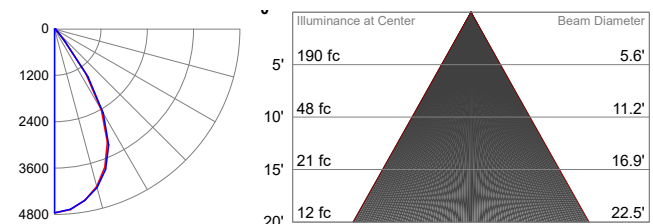
C95 - 40 Degree

Delivered Light Output: 4196 Lumens
 Total Watts @120V: 46;
 Lumens Per Watt: 91
 Center Beam Candle Power: 9012
 Spacing Criteria: 0.66



C95 - 60 Degree

Delivered Light Output: 4040 Lumens
 Total Watts @120V: 46;
 Lumens Per Watt: 87
 Center Beam Candle Power: 4758
 Spacing Criteria: 0.94



DIMMING

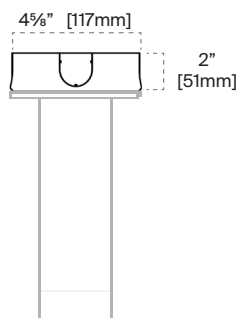
Dimming is standard and allows for smooth illumination below 1% with certain dimmer/driver combinations. The “U” (Universal) driver dims to 1%, accepts 120-277V AC Input and is compatible with 0-10V, Triac (forward phase) and ELV (reverse phase) dimmers. Triac and ELV dimming only available at 120V AC. The “Z1” (0-10V) driver dims to 0.1%, accepts 120-277V AC Input and is compatible with 0-10V dimmers. The “D1” (DALI) driver dims to 0.1%, accepts 120-277V AC Input and is compatible with DALI and DALI 2 dimmers. For dimmer compatibility, refer to the Dimming Compatibility document on our website.

ACCESSORIES

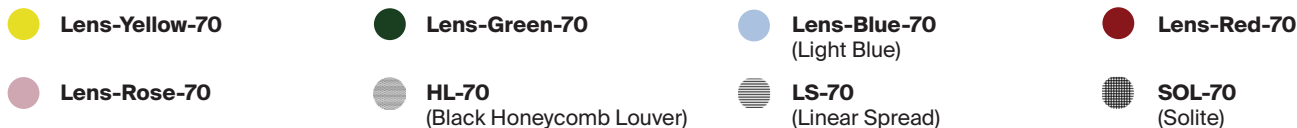
JA-18-[Finish]-Cover (Deep Canopy Collar)

The JA-18 Cover helps shield unsightly surface mount J-Boxes and blends seamlessly with the Standard or Slim Canopy options (sold separately).

Finish: Black (B), White (W). **Ordering Ex:** JA-18-B-Cover



LENS ACCESSORIES



EMERGENCY LIGHTING

INVERTERS

Small size and versatile mounting is suitable for plenum space mounting in close proximity to the luminaire or for remote mounting up to 300 ft. distance using 18 AWG wire. Further distances are possible with larger gauge wire. Two-wire universal input reduces wiring errors and reduces installation time and complexity.

	ACI-H35-A1	ACI-H100-A1
Output Power:	35 Watts	100 Watts
Emergency Operation:	90 Min	90 Min
Battery Type:	LiFePO4	LiFePO4
Input Voltage:	120-277 Volts	120-277 Volts
Output Voltage:	120-277 Volts	120-277 Volts
Class 2 Output:	n/a	n/a
Diagnostic Type:	Test switch ¹	Test switch ¹
Title-20 Compliant:	Yes	Yes
Life Expectancy:	75k Hours	75k Hours
Dimensions:	20.67" x 2.24" x 2.05"	19.5" x 3.35" x 2.2"
Mounting Type:	In-Line / Remote	In-Line / Remote
Maximum Distance:	300ft (18AWG)	300ft (18AWG)
Weight:	4.85lbs	7.28lbs
Operating Ambient Temp	0-50° C	0-50° C

NOTE:

1. Test switch wiring can be extended up to 50 feet.