



KBC-10CL

CANOPY/2-CIRCUIT CURRENT LIMITER

SPECIFICATIONS/FEATURES

Power Canopy

This power feed limits the amount of electrical load that can be placed on the circuit.
 Galvanized steel mounting plate.
 (3) 7/8" diameter pry-outs for electrical feed.
 (2) ground terminals for supply ground wire.
 (4) oval mounting holes on 3.5" centers secure connector to junction box or mounting surface.

Circuit Breakers

Circuit breakers are sold separately.
 Can be used as a standard ON/OFF switch.
 Breaker snaps into the power feed without the use of tools.
 Canopy may have two (2) circuit breakers for 2-circuit track applications.

Electrical

120V/60Hz capacity.
 All wiring should meet national and local electrical codes.
 Use 12 gauge 90°C minimum supply wire.

Warranty

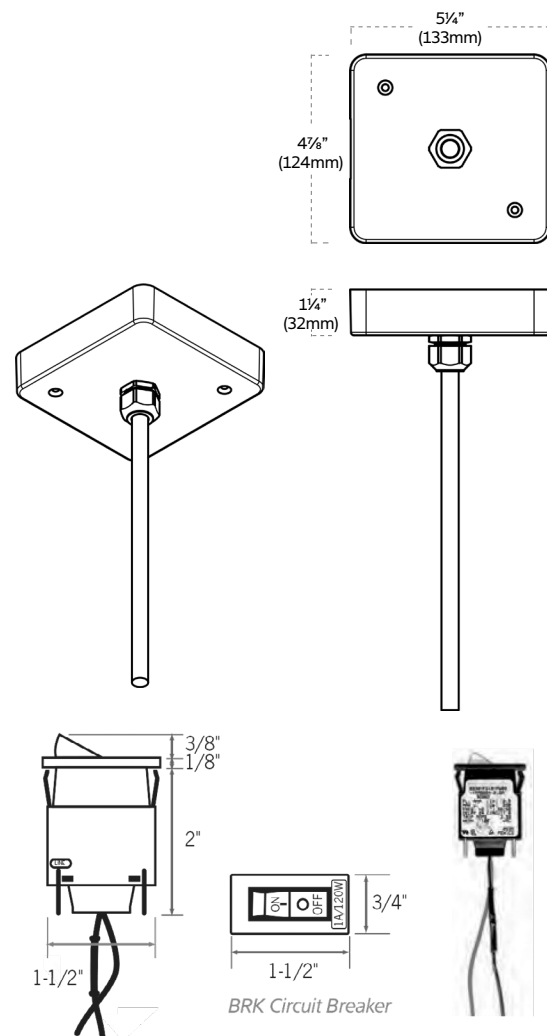
This fixture is covered by Lumenture's full one (1) year replacement guarantee after date of purchase.

Listing

Canopy current limiter is cULus Certified.

TYPE: _____

PROJECT: _____



ORDERING

Example Order:

KBC-10CL	-	W	-	BRK05	-	BRK05
Canopy Current Limiter		Finish		1st Circuit Breaker		*2nd Circuit Breaker (Optional)
KBC-10CL - Canopy Current Limiting Device		B - Black W - White		BRK05 - 60W, 0.5A BRK10 - 120W, 1A BRK20 - 240W, 2A BRK30 - 360W, 3A BRK50 - 600W, 5A BRK75 - 900W, 7.5A BRK120 - 1440W, 12A		BRK05 - 60W, 0.5A BRK10 - 120W, 1A BRK20 - 240W, 2A BRK30 - 360W, 3A BRK50 - 600W, 5A BRK75 - 900W, 7.5A BRK120 - 1440W, 12A

*2-Circuit track applications require two (2) circuit breakers (sold separately).