

LUMENTURE®

DL35 1" FIXED DOWNLIGHTS

TYPE: _____

PROJECT: _____

With a discreet 1.4" aperture, knife-edge trim and excellent visual cutoff - Lumenture's mini DL35 redefines downlights. This diminutive recessed fixture delivers a powerful 500 lumens where you want it and without glare - resulting in superior light quality and both a "clean" and "quiet" ceiling.



DIMMING
Triac, ELV, 0-10V,
DALI & LEDcode



WEIGHT
4.8 oz.



WATTAGE
7W



EFFICACY
up to 500lm
up to 71lm/W



**AC DRIVER
INPUT**
120-277V



FINISH
Powdercoat
or anodized



ACCESSORIES
EM Pack, whips,
lenses & louvres
(pg. 4)

ORDERING

FIXTURE	CCT/CRI ⁽¹⁾	BEAM SPREAD ⁽¹⁾	CONE COLOR ⁽¹⁾	TRIM COLOR ⁽¹⁾	TRIM TYPE	DRIVER ⁽²⁾	OUTPUT (mA)	PANS / JUNCTION BOX ⁽³⁾
DL35	27H - 2700K, CRI 90+	15 - 15°	W - White	W - White	R - Round 75mm (3")	U - Universal Dimming (Triac, ELV & 0-10V)	500 - 7W	P - Pan
	30H - 3000K, CRI 90+	25 - 25°	B - Black	B - Black	RF - Round Flangeless	D1 - EldoLED Dali/LEDcode (0.1% dimming)		R - Remodel
	35H - 3500K, CRI 90+		S - Silver	S - Silver	SF - Square Flangeless	Z1 - EldoLED 0-10V (0.1% dimming)		X - Remote Driver

NOTES

1. Custom options available. Please consult factory.
2. Above ceiling access is required for all DL35 applications. The only time above-ceiling access is not required is when using Lumenture's Near Drive remote driver system.
EM battery backup options available. See page (4).
3. All Pans / Junction Boxes are NON-IC-Rated.
For additional wiring configurations, please consult factory.

ORDERING EXAMPLE:

DL35 - 27H - 15 - W - W - R - U - 500 - R

LISTINGS

Certified to UL standard 1598 and CSA C22.2 No. 250.0-08 for damp locations.



DL35 1in Fixed Downlight Specifications p. 1/4

*Custom options available, please consult factory
Product specifications are subject to change
info@lumenture.com P. 203.864.3333

LUMENTURE®

www.lumenture.com
version 20240506

DL35 1" FIXED DOWNLIGHTS

PHOTOMETRICS

LUMEN OUTPUT

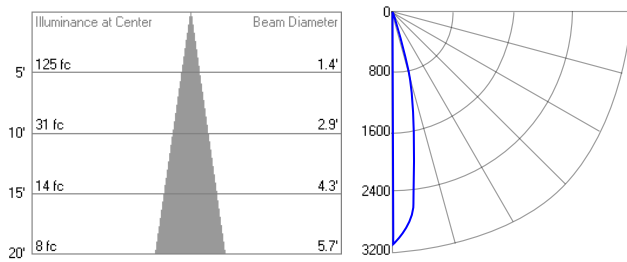
Values fluctuate based on CCT and CRI. To estimate delivered lumen output of various CCT/CRI options, multiply nominal lumens by the multiplier below.

OUTPUT (mA)	WATTAGE	NOMINAL LUMENS	CODE	CCT	CRI	TECHNOLOGY	12°	15°	25°
500	7W	500	27H	2700K	90+	Standard	0.85	0.85	0.85
			30H	3000K	90+	Standard	0.95	0.95	0.95
			35H	3500K	90+	Standard	1.00	1.00	1.00

Luminaire maintains a lumen output tolerance of +/-7.5%

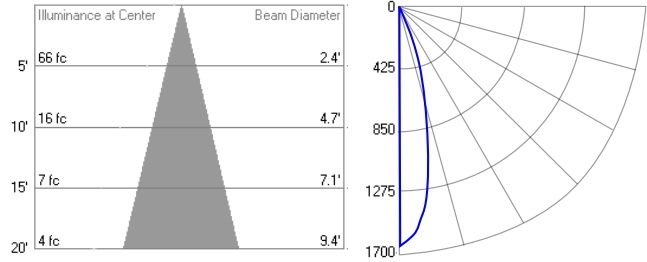
DL35 - 15 Degree

Nominal Light Output: 500 Lumens
 Total Watts @120V: 7W;
 Lumens Per Watt: 71
 Center Beam Candle Power: 3125
 Spacing Criteria: 0.3



DL35 - 25 Degree

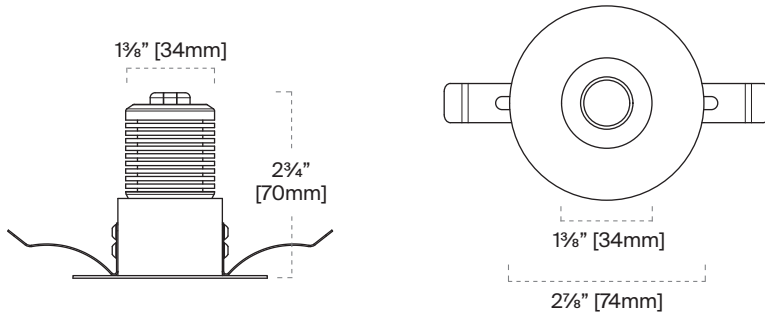
Nominal Light Output: 500 Lumens
 Total Watts @120V: 7W;
 Lumens Per Watt: 71
 Center Beam Candle Power: 1650
 Spacing Criteria: 0.5



DL35 1" FIXED DOWNLIGHTS

ROUND DIMENSIONS

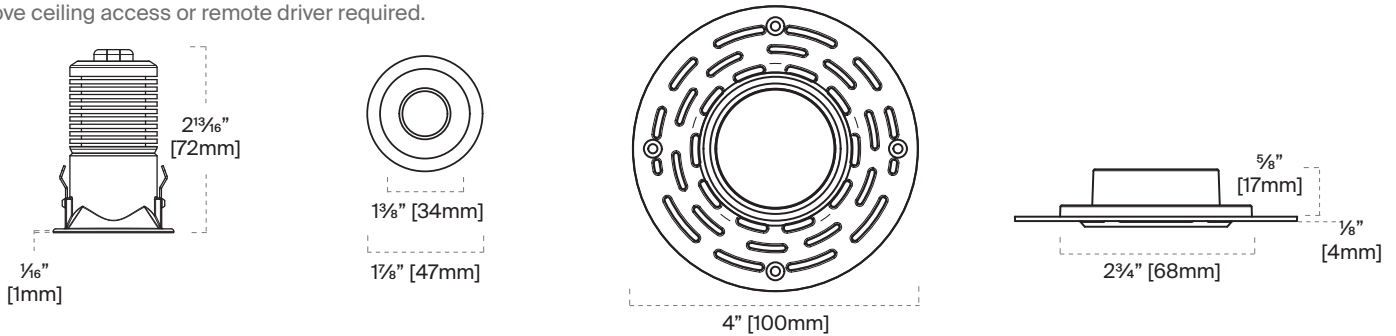
Ceiling Cutout is 2³/₄". Max Ceiling Thickness: 1"



ROUND FLANGELESS (RF) DIMENSIONS

Ceiling Cutout is 2³/₄"

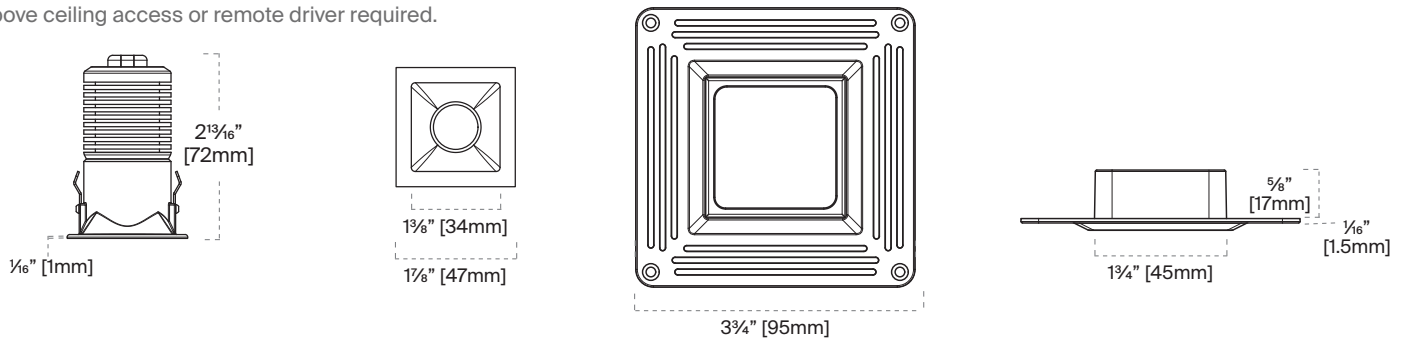
Above ceiling access or remote driver required.



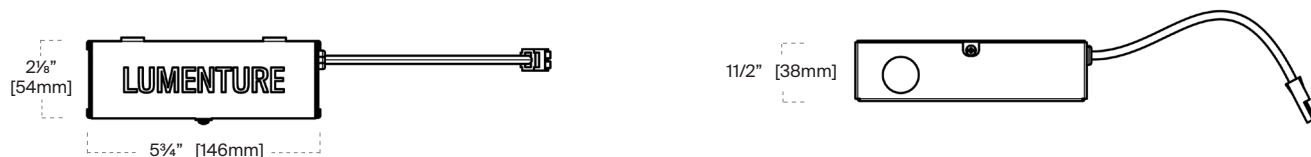
SQUARE FLANGELESS (SF) DIMENSIONS

Ceiling Cutout is 1⁷/₈"

Above ceiling access or remote driver required.

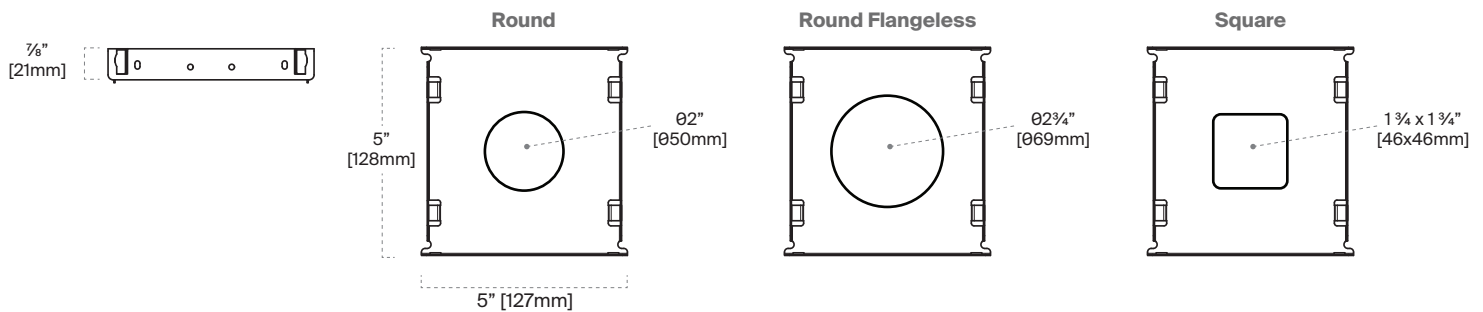


REMODEL DIMENSIONS (Loose Junction Box)



DL35 1" FIXED DOWNLIGHTS

PAN HOUSING DIMENSIONS











DIMMING

Dimming is standard and allows for smooth illumination below 0.1% with certain dimmer/driver combinations. The "U" (Universal) driver dims to 1%, accepts 120-277V AC Input and is compatible with 0-10V, Triac (forward phase) and ELV (reverse phase) dimmers. The "Z1" (0-10V) driver dims to 0.1%, accepts 120-277V AC Input and is compatible with 0-10V dimmers. The "D1" (DALI) driver dims to 0.1%, accepts 120-277V AC Input and is compatible with DALI dimmers. For dimmer compatibility, refer to the Dimming Compatibility document on our website.

ACCESSORIES

LENS ACCESSORIES

-  **Lens-Clear-25**
-  **Lens-Green-25**
-  **Lens-Blue-25** (Light Blue)
-  **Lens-Red-25**
-  **Lens-Rose-25**
-  **Lens-Yellow-25**
-  **LS-25** (Linear Spread)
-  **SOL-25** (Solite)
-  **HL-25** (Black Honeycomb Louver)

EXTENSION WHIPS (for remote drivers)

- C2P-10** (10 ft extension)
- C2P-30** (30 ft extension)

NOTES

Remote power cables should be UL approved, two conductor shielded 18 AWG plenum-rated cable if supplied by others.

EMERGENCY BACKUP

	ICP7: IOTA ILBLP CP07
Output Power:	7W (constant)
Emergency Operation:	90 minutes
Battery Type:	lithium-ion
Input Voltage:	120-277 VAC
Output Voltage:	10-55 VDC
Class 2 Output:	Yes
Diagnostic Type:	Self-Diagnostic
Title-20 Compliant:	Yes
Life Expectancy:	5-7 years
Dimensions:	5.1 x 2.8 x 1.1"
Mounting Type:	Housing, Poke-In terminals
Weight:	0.7 lbs
Cost:	\$\$\$