

LUMENTURE®

JA-26, JA-27, JA-28

1-CIRCUIT CURRENT LIMITING POWER FEEDS

SPECIFICATIONS/FEATURES

Power Canopy

This power feed limits the amount of electrical load that can be placed on the circuit. Galvanized steel mounting plate.

JA-26 Only

Single Circuit Thin End Feed.

(1) 7/8" diameter pryout for direct electrical feed connections.

JA-27 and JA-28 Only

(3) 7/8" diameter pryouts for electrical feed.

(2) Ground terminals for supply ground wire.

(4) Oval mounting holes on 3 1/2" centers secure connector to junction box or mounting surface.

Circuit Breakers

Circuit breakers are sold separately.

Can be used as a standard ON/OFF switch.

Breaker snaps into the power feed without the use of tools.

Electrical

120V/60Hz capacity. All wiring should meet national and local electrical codes.

Use 12 gauge 90°C minimum supply wire.

Warranty

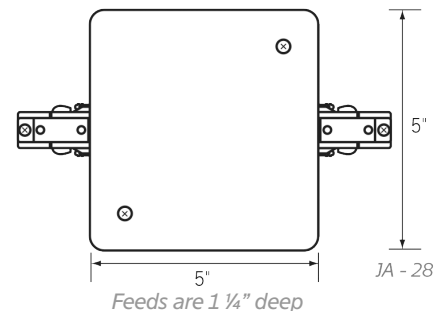
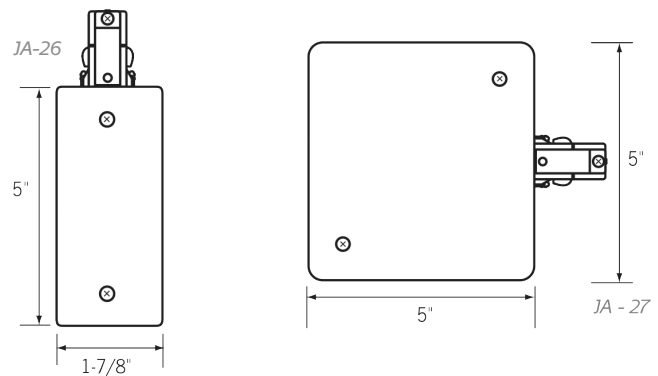
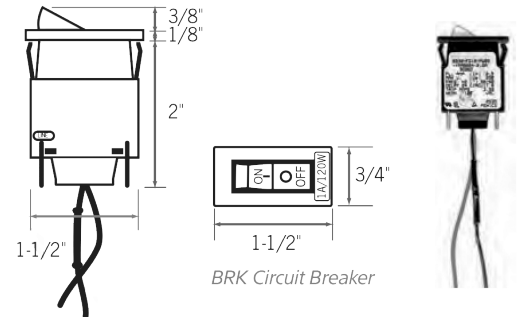
This fixture is covered by Lumenture's full one (1) year replacement guarantee after date of purchase.

Listing

Canopy current limiter is cULus Certified. Not Title 24 Compliant (California).

TYPE: _____

PROJECT: _____



ORDERING

EXAMPLE ORDER:

JA-26 - **W** - **BRK05**

Power Canopy



Finish



Circuit Breaker*



JA-26 - Single Circuit Thin End Feed Current Limiting Device
JA-27 - Single Circuit End Feed Current Limiting Device
JA-28 - Single Circuit In-Line Feed Current Limiting Device

B - Black
W - White
S - Silver

BRK05 - 60W, 0.5A
BRK10 - 120W, 1A
BRK20 - 240W, 2A
BRK30 - 360W, 3A
BRK50 - 600W, 5A
BRK75 - 900W, 7.5A
BRK120 - 1440W, 12A