

# RM35 RECESSED MULTIPLES INSTALLATION INSTRUCTIONS

## IMPORTANT SAFETY INSTRUCTIONS

Read all the instructions before installation. Save instructions for later use.

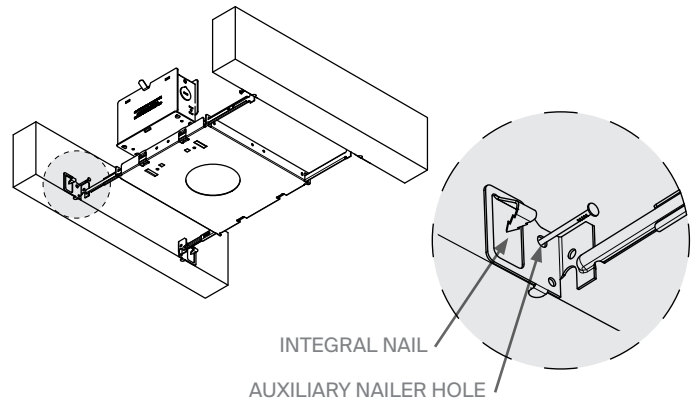
THIS PRODUCT MUST BE INSTALLED IN ACCORDANCE WITH THE APPLICABLE INSTALLATION CODE BY A PERSON FAMILIAR WITH THE CONSTRUCTION AND OPERATION OF THE PRODUCT AND THE HAZARDS INVOLVED. THE POWER UNIT SHOULD BE INSTALLED WHERE IT WILL **NOT** BE SUBJECTED TO ANY MOVEMENT. CONSULT A QUALIFIED ELECTRICIAN TO ENSURE CORRECT BRANCH CIRCUIT CONDUCTOR.

- Make certain power is OFF before installing or maintaining fixture.
- Suitable for installation only in accessible ceilings. Access above the ceiling is required.
- Do not install insulation within 3in (76mm) of any part of the Luminaire.
- Installing contrary to instructions may cause unsafe conditions.
- **WARNING:** Risk of fire or electrical shock.
- **WARNING:** Suitable for dry locations only.

### STEP 1

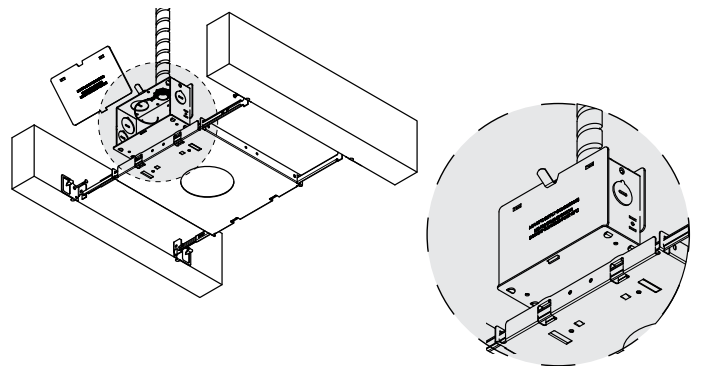
Install Housing.  
Using the supplied hanger bars, secure the housing to the joists by hammering in the built-in toothed integral nail.

**NOTE:** Auxiliary nailing holes are provided for additional retention.



### STEP 2

1. Remove outer junction box cover.
2. Remove knockout and install BX-Cable.
3. Connect the power supply to branch circuit accordingly. Leave a 3-5 inch service loop on the power feed Line, Common and Ground wires. This will allow the inner J Box cover and power supply to be pulled through the ceiling cutout for power supply replacement. If 0-10V dimming is used, also leave a 3-5 inch service loop in the 0-10V control wires. (See wiring instructions on page 2).
4. Re-install junction box cover.



# RM35 RECESSED MULTIPLES INSTALLATION INSTRUCTIONS

## WIRING

1. Connect GROUND wire from fixture to supply ground.
2. Connect black fixture lead to (+) LINE supply lead.
3. Connect white fixture lead to (-) COMMON supply lead.  
For 0-10V dimming, follow wiring directions in Fig. 2.

**NOTE:** Driver permits operation at 120V through 277V, 50Hz or 60Hz. For non-dimming, Triac and Electronic Low Voltage (ELV) dimming, follow wiring directions for Fig. 1.

FIG. 1

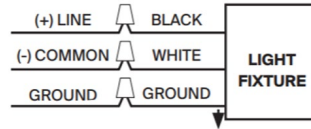
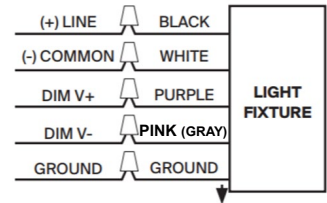
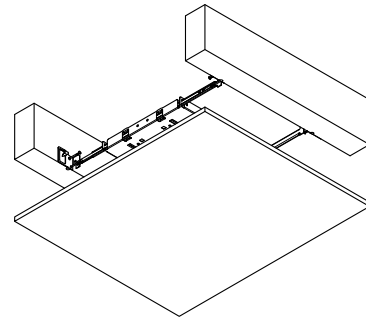


FIG. 2



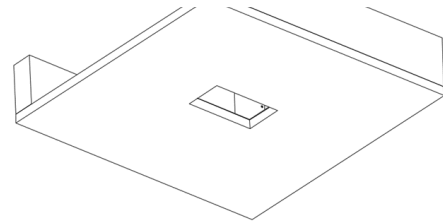
## STEP 3

Raise and install ceiling. Mark aperture center.



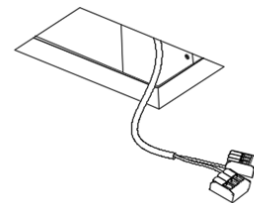
## STEP 4

Make ceiling cutout at the previously marked location.  
Pull output wiring through the aperture.



## STEP 5

Connect Module to the driver output quick connect.



## STEP 6

Compress the retention springs inwards and press the fixture upwards into the ceiling cutout.

Power can be restored. Enjoy your new lights!

