

# RM65 INSTALLATION INSTRUCTIONS

## IMPORTANT SAFETY INSTRUCTIONS

**Read carefully before installing fixture. Retain instructions for future reference.**

THIS PRODUCT MUST BE INSTALLED IN ACCORDANCE WITH THE APPLICABLE INSTALLATION CODE BY A PERSON FAMILIAR WITH THE CONSTRUCTION AND OPERATION OF THE PRODUCT AND THE HAZARDS INVOLVED. CONSULT A QUALIFIED ELECTRICIAN TO ENSURE CORRECT BRANCH CIRCUIT CONDUCTOR.

**WARNING:** RISK OF FIRE OR ELECTRICAL SHOCK.

**WARNING:** Make certain power is OFF before installing or maintaining fixture.

**WARNING:** Suitable for installation only in accessible ceilings. Access above the ceiling is required.

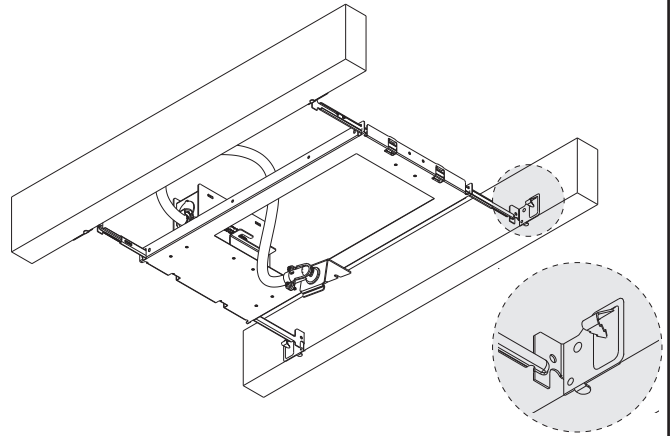
**WARNING:** Do not install insulation within 3 in (76mm) of any part of the Luminaire.

**WARNING:** SUITABLE FOR DRY LOCATIONS ONLY.

### STEP 1

Using the supplied nailer bars, install the housing by securing it to the joists by hammering in the built-in toothed integral nail.

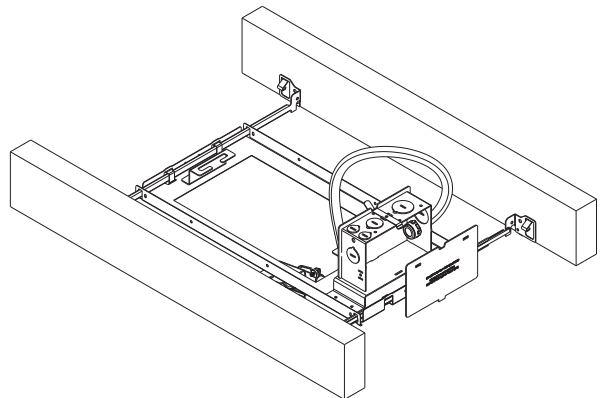
**NOTE:** Auxiliary nailing holes are provided for additional retention.



### STEP 2

1. Remove the junction box cover and attach flexible conduit with appropriate fitting.

2. Make internal wiring connections according to the wiring instructions in the next step.



# RM65 INSTALLATION INSTRUCTIONS

## WIRING

Driver permits operation at 120V through 277V, 50Hz or 60Hz. For non-dimming, triac, and electronic low voltage (ELV) dimming, follow wiring directions in Fig. 1.

1. Connect ground wire from fixture to supply ground.
2. Connect black fixture lead to (+) line supply lead.
3. Connect white fixture lead to (-) common supply lead.

**NOTE:** For 0-10V dimming, follow wiring directions in Fig. 2.

FIGURE 1

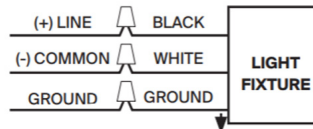
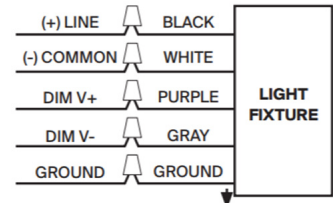


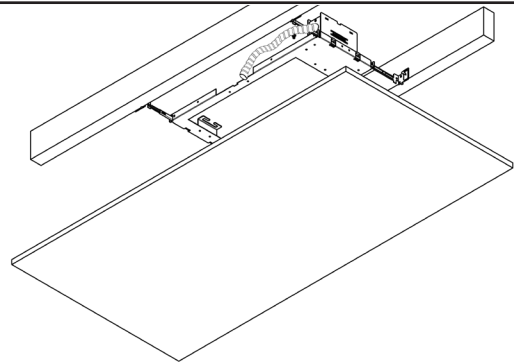
FIGURE 2

For 0-10V dimming



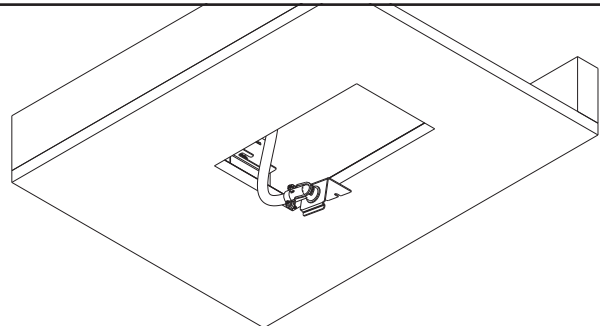
## STEP 3

Install ceiling and mark aperture location.



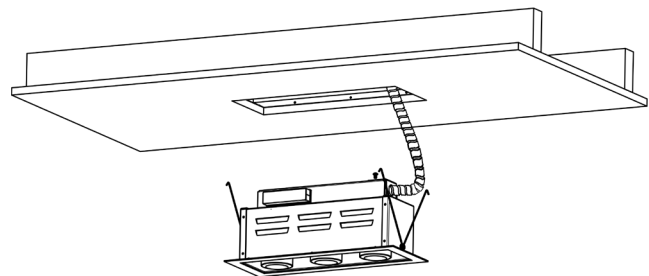
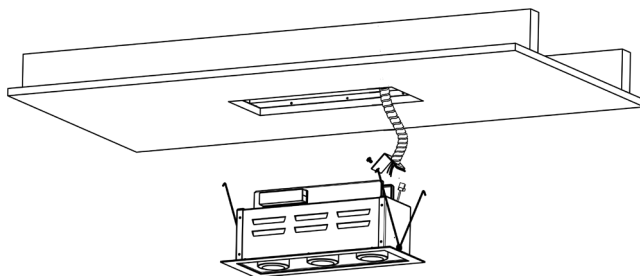
## STEP 4

Make ceiling cutout. Rotary tool recommended.



## STEP 5

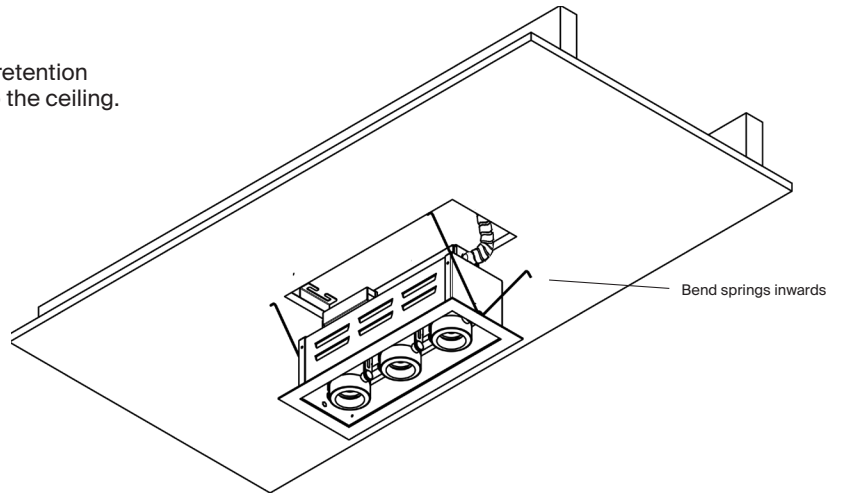
Connect the module to the power supply. Pull wire through the aperture and connect RM65 modules to the supplied Wago™ quick connects.



# RM65 INSTALLATION INSTRUCTIONS

## STEP 6

Install the fixture into the ceiling by compressing the retention springs inwards and pressing the fixture upwards into the ceiling.



## STEP 6

That's it! Your fixture is now ready to use.

