



**RECESSED**  
INSTALLATION  
INSTRUCTIONS

---

**These instructions are applicable to the following Lumenture Recessed products:**

<b>DL60</b>	2" Fixed Downlights
<b>DLA60</b>	2" Adjustable Downlights
<b>DL75</b>	3" Fixed Downlights
<b>DLA75</b>	3" Adjustable Downlights
<b>HL110</b>	Hallway Lights / Only available with Open (N), Pan (P), and ACT Ceiling installation

# CONTENTS

---

## **SECTION 1**

**pages 1, 2**

open & closed housing

## **SECTION 2**

**pages 3, 4**

pan housing

## **SECTION 3**

**pages 5, 6**

retrofit installation

## **SECTION 4**

**page 7-8**

ACT ceiling installation

## **SECTION 5**

**page 9**

flangeless installation addendum



# IMPORTANT SAFETY INSTRUCTIONS

Read all the instructions before installation.  
Save instructions for later use.

THIS PRODUCT MUST BE INSTALLED IN ACCORDANCE WITH THE APPLICABLE INSTALLATION CODE BY A PERSON FAMILIAR WITH THE CONSTRUCTION AND OPERATION OF THE PRODUCT AND THE HAZARDS INVOLVED. THE POWER UNIT SHOULD BE INSTALLED WHERE IT WILL **NOT** BE SUBJECTED TO ANY MOVEMENT. CONSULT A QUALIFIED ELECTRICIAN TO ENSURE CORRECT BRANCH CIRCUIT CONDUCTOR.

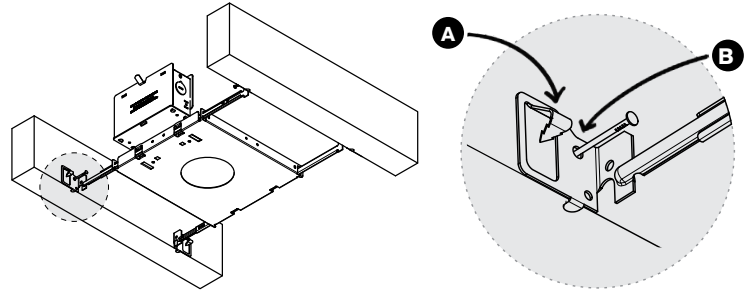
- Make certain power is OFF before installing or maintaining fixture.
- Suitable for installation only in accessible ceilings. Access above the ceiling is required.
- Do not install insulation within 3in (76mm) of any part of the Luminaire.
- Installing contrary to instructions may cause unsafe conditions.
- **WARNING:** Risk of fire or electrical shock.
- **WARNING:** Suitable for dry or damp locations only.

# SECTION 1

## Open & Closed Housing

- 1 Install Housing using the supplied hanger bars. Secure the housing to the joists by hammering in the built-in toothed integral nail (A).

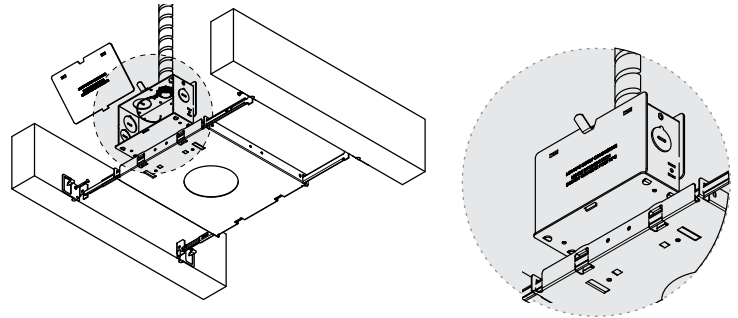
Auxiliary nailing holes (B) are provided for additional retention.



- 2
  - Remove outer junction box cover.
  - Remove knockout and install BX-Cable.
  - Connect the power supply to branch circuit accordingly. Leave a 3-5 inch service loop on the power feed Line, Common and Ground wires. This will allow the inner J-Box cover and power supply to be pulled through the ceiling cutout for power supply replacement. If 0-10V dimming is used, also leave a 3-5 inch service loop in the 0-10V control wires.

See wiring instructions below.

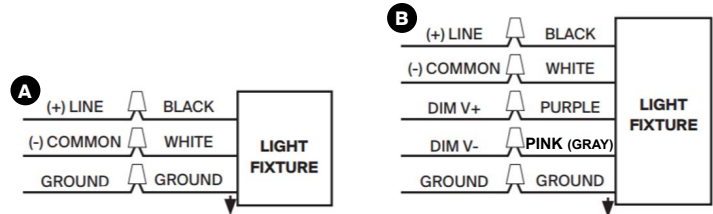
- Re-install junction box cover.



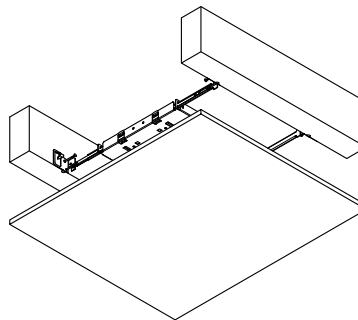
### WIRING

- Connect GROUND wire from fixture to supply ground.
  - Connect black fixture lead to (+) LINE supply lead.
  - Connect white fixture lead to (-) COMMON supply lead.
- For 0-10V dimming, follow wiring directions in Figure (B).

**NOTE:** Driver permits operation at 120V through 277V, 50Hz or 60Hz. For non-dimming, Triac and Electronic Low Voltage (ELV) dimming, follow wiring directions for Figure (A). Triac/ELV dimming is only available in 120V.



- 3 Raise and install ceiling. Mark aperture center.



# SECTION 1

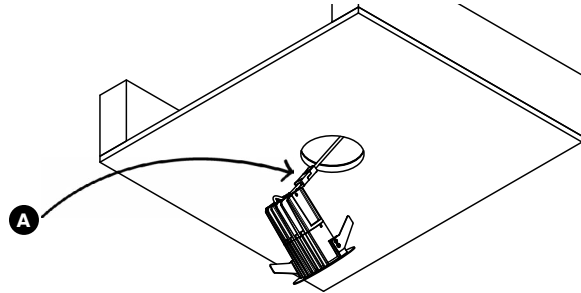
## Open & Closed Housing

- 4** Make ceiling cutout at the previously marked location using the dimensions in the chart below.

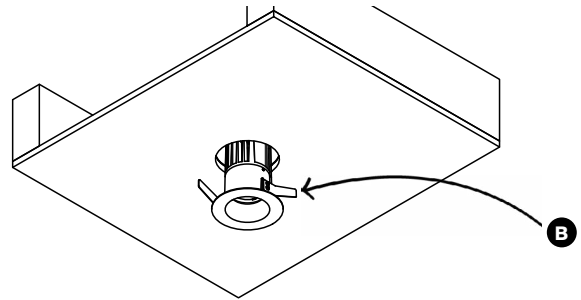
See Section 4, Page 7 for Flangeless Installation.

	DL60	DLA60	DL75	DLA75	HL110
Round	3 $\frac{3}{8}$ "	3 $\frac{3}{8}$ "	3 $\frac{3}{8}$ "	3 $\frac{3}{8}$ "	-
Square	3"	3 $\frac{3}{8}$ "	3 $\frac{3}{8}$ "	3 $\frac{3}{8}$ "	4 $\frac{3}{4}$ "

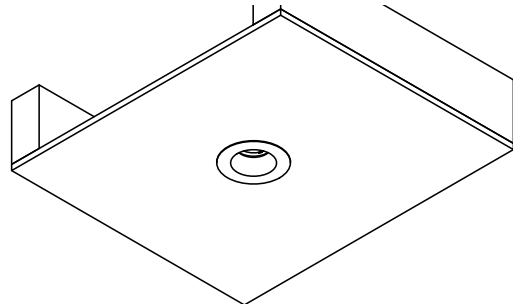
- 5** Pull driver output quick connect wiring through the aperture. Connect module to the driver output quick connect (A).



- 6** Compress leaf springs (B) to insert module into ceiling cutout. **NOTE:** Spring type varies. The module shown in the depiction may require twisting clockwise to help further engage the springs above the ceiling plane.



- 7** Hooray! Power can be restored. Enjoy your new lights!

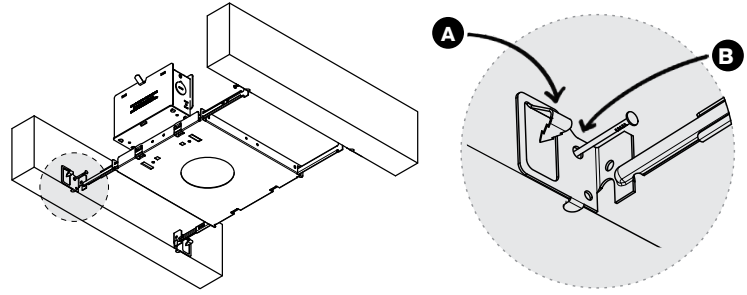


# SECTION 2

## Pan Housing

- 1** Install mounting pan using the supplied hanger bars. Secure the housing to the joists by hammering in the built-in toothed integral nail (A).

*Auxiliary nailing holes (B) are provided for additional retention.*

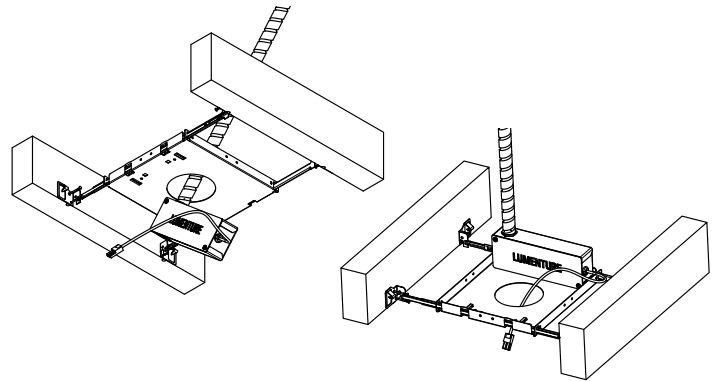


- 2**
- Remove junction box lid screws.
  - Make conduit connection and connect the power supply to branch circuit

*See wiring instructions below.*

- Place onto the mounting pan through the aperture. Make certain there is enough slack conduit to enable the entire junction box to be pulled through the ceiling aperture for below ceiling service and inspection access. The output quick connect must be accessible from below the ceiling plane (through aperture) once the ceiling is installed.

*For DL60 Flangeless models, access above ceiling is required.*

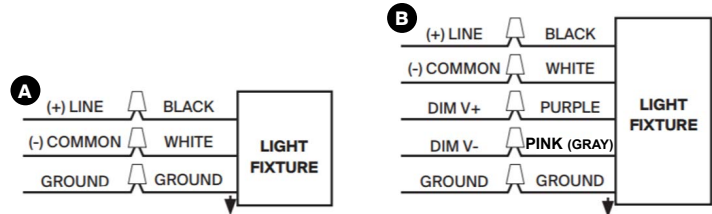


### WIRING

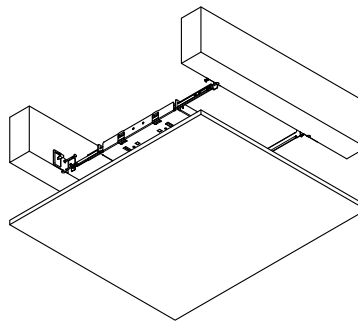
- Connect GROUND wire from fixture to supply ground.
- Connect black fixture lead to (+) LINE supply lead.
- Connect white fixture lead to (-) COMMON supply lead.

For 0-10V dimming, follow wiring directions in Figure (B).

**NOTE:** Driver permits operation at 120V through 277V, 50Hz or 60Hz. For non-dimming, Triac and Electronic Low Voltage (ELV) dimming, follow wiring directions for Figure (A). Triac/ELV dimming is only available in 120V.



- 3** Raise and install ceiling. Mark aperture center.



# SECTION 2

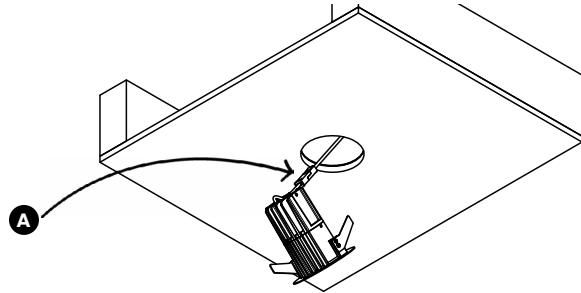
## Pan Housing

- 4** Make ceiling cutout at the previously marked location using the dimensions in the chart below.

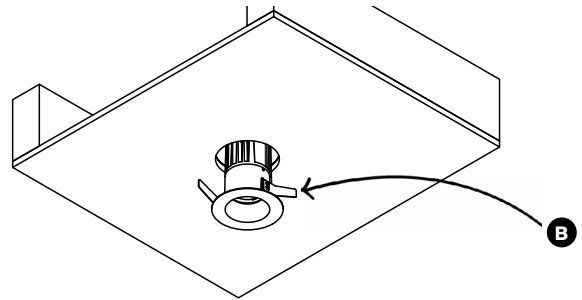
See Section 4, Page 7 for Flangeless Installation.

	DL60	DLA60	DL75	DLA75	HL110
Round	3 $\frac{3}{8}$ "	3 $\frac{3}{8}$ "	3 $\frac{3}{8}$ "	3 $\frac{3}{8}$ "	-
Square	3"	3 $\frac{3}{8}$ "	3 $\frac{3}{8}$ "	3 $\frac{3}{8}$ "	4 $\frac{3}{4}$ "

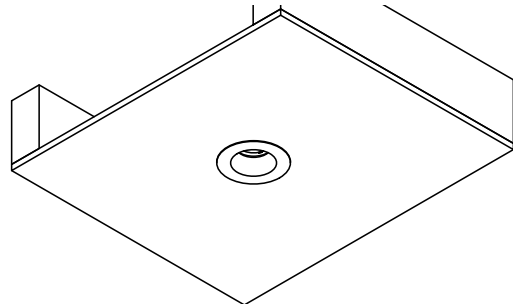
- 5** Pull driver output quick connect wiring through the aperture. Connect module to the driver output quick connect (A).



- 6** Compress leaf springs (B) to insert module into ceiling cutout. **NOTE:** Spring type varies. The module shown in the depiction may require twisting clockwise to help further engage the springs above the ceiling plane.



- 7** Hooray! Power can be restored. Enjoy your new lights!

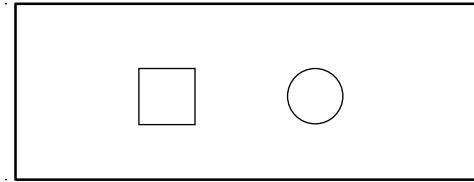


# SECTION 3

## Retrofit Installation

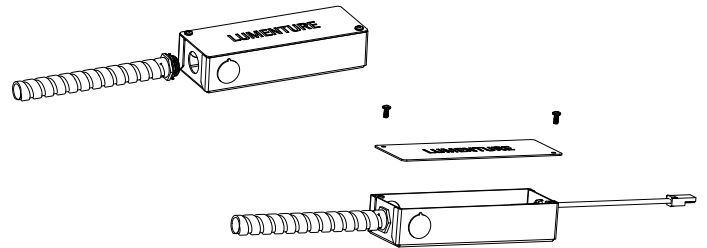
- 1** Make ceiling cutout using the dimensions in the chart below.  
See Section 4, Page 7 for Flangeless Installation.

	DL60	DLA60	DL75	DLA75
<b>Round</b>	3 $\frac{3}{8}$ "	3 $\frac{3}{8}$ "	3 $\frac{3}{8}$ "	3 $\frac{3}{8}$ "
<b>Square</b>	3"	3 $\frac{3}{8}$ "	3 $\frac{3}{8}$ "	3 $\frac{3}{8}$ "



- 2** Run wires to the Junction Box by pulling the preexisting wiring through the ceiling cutout. Connect to the junction box using the  $\frac{1}{2}$ " knockout. Make certain there is enough slack conduit to enable the entire junction box to be pulled through the ceiling aperture for below ceiling service and inspection access.

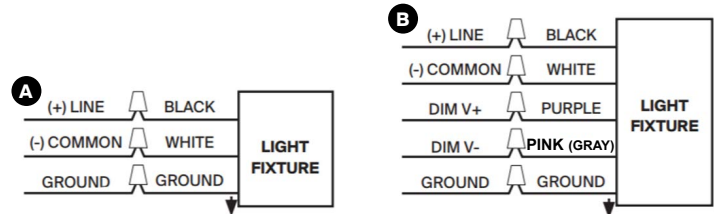
Lid screws must be removed to access internal wiring.



### WIRING

- Connect GROUND wire from fixture to supply ground.
  - Connect black fixture lead to (+) LINE supply lead.
  - Connect white fixture lead to (-) COMMON supply lead.
- For 0-10V dimming, follow wiring directions in Figure (B).

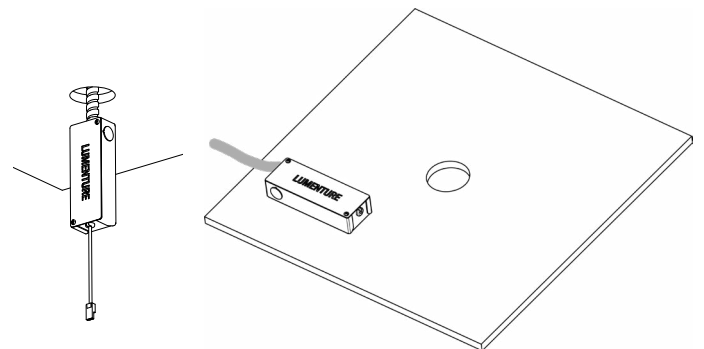
**NOTE:** Driver permits operation at 120V through 277V, 50Hz or 60Hz. For non-dimming, Triac and Electronic Low Voltage (ELV) dimming, follow wiring directions for Figure (A). Triac/ELV dimming is only available in 120V.



- 3**
- Close Junction Box.
  - Replace screws.
  - Insert Junction Box into the ceiling cutout while leaving the output wiring accessible from below the ceiling.

Ensure that installation complies with local and national codes. If necessary, mount to nearby joist using self-tapping screws inside of the junction box away from the wiring.

Junction box should be installed where it will NOT be subjected to any movement.



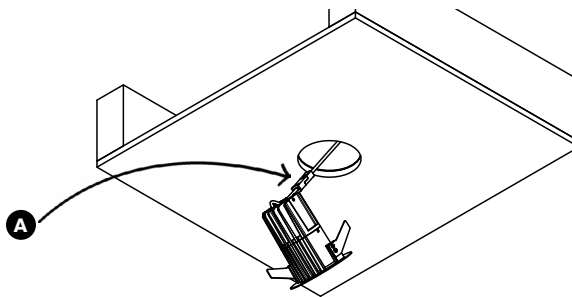


# SECTION 3

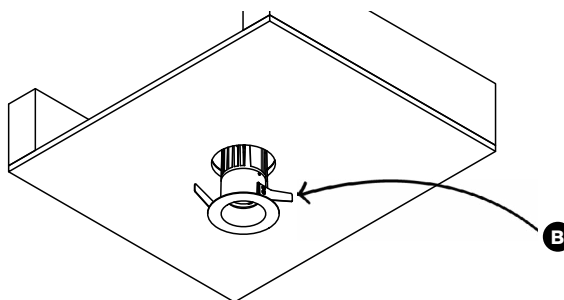
## Retrofit Installation

---

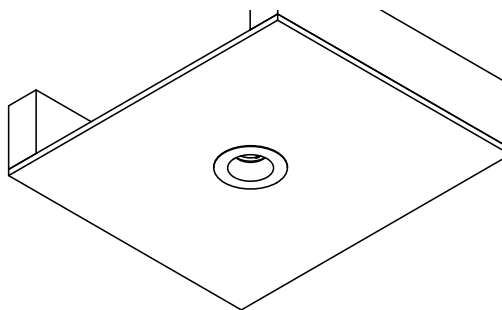
**4** Connect fixture to junction box using the quick connects (A).



**5** Compress leaf springs (B) to insert module into ceiling cutout.  
**NOTE:** Spring type varies. The module shown in the depiction may require twisting clockwise to help further engage the springs above the ceiling plane.



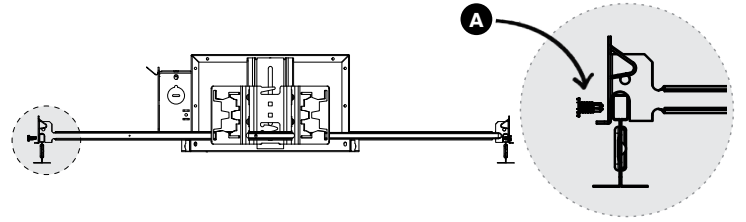
**6** Hooray! Power can be restored. Enjoy your new lights!



# SECTION 4

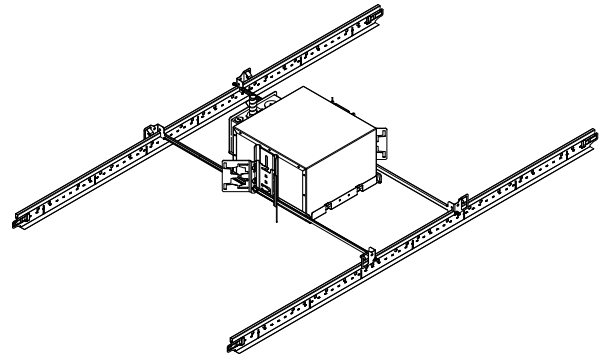
## ACT Ceiling

- 1** Install housing using the supplied hanger bars. Secure the housing to the grid by resting the slot on top of the bars and securing it with a self-drilling screws (A).

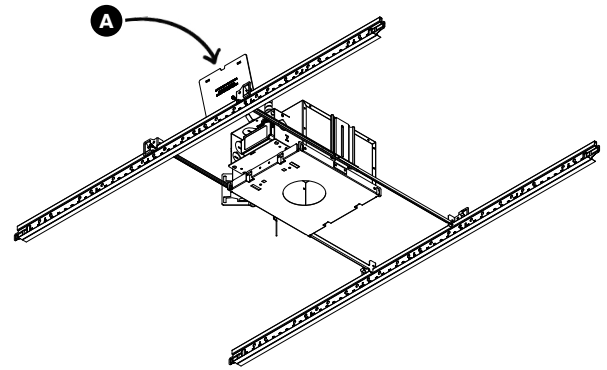


- 2** Position the hanger bars to the desired location.  
**NOTE:** The housing must rest on the top of the ceiling tile that will be installed. If necessary, adjust the housing height using the vertical adjustment brackets and auxiliary slots on the butterfly brackets until they are properly positioned.

See wiring instructions below.



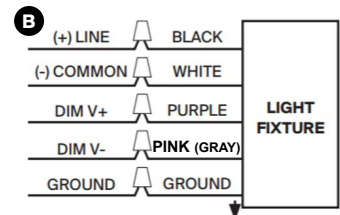
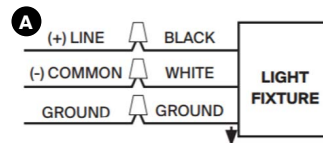
- 3**
- Remove outer junction box cover (A).
  - Remove knockout and install BX-Cable.
  - Connect the power supply to branch circuit accordingly.
- NOTE:** Leave a 3-5 inch service loop on the power feed line, Common, and Ground wires. This will allow the inner J-Box cover and power supply to be pulled through the ceiling cutout for power supply replacement. If 0-10V dimming is used, also leave a 3-5 inch service loop in the 0-10V control wires.
- Re-install junction box cover.



### WIRING

- Connect GROUND wire from fixture to supply ground.
  - Connect black fixture lead to (+) LINE supply lead.
  - Connect white fixture lead to (-) COMMON supply lead.
- For 0-10V dimming, follow wiring directions in Figure (B).

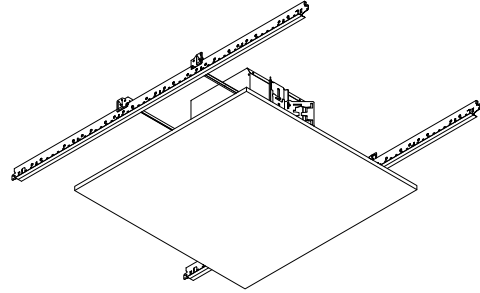
**NOTE:** Driver permits operation at 120V through 277V, 50Hz or 60Hz. For non-dimming, Triac and Electronic Low Voltage (ELV) dimming, follow wiring directions for Figure (A). Triac/ELV dimming is only available in 120V.



# SECTION 4

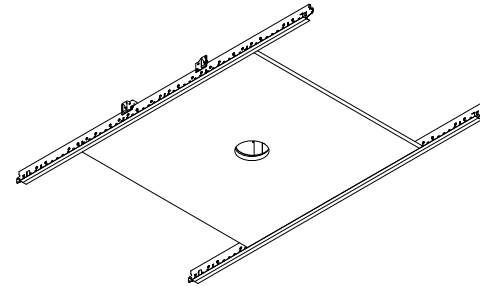
## ACT Ceiling

**4** Raise and install ceiling tile. Mark aperture center.

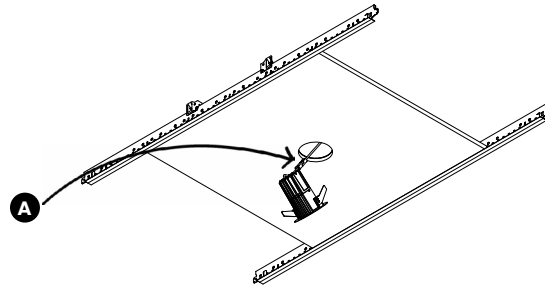


**5** Make ceiling cutout at the previously marked location using the dimensions in the chart below.  
*See Section 4, Page 7 for Flangeless Installation.*

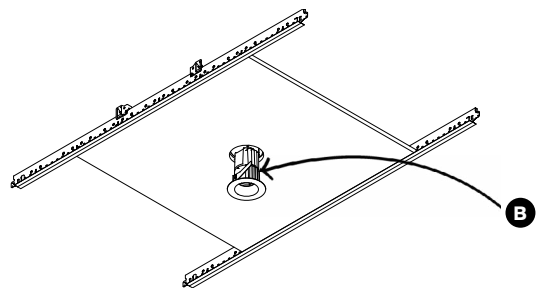
	DL60	DLA60	DL75	DLA75	HL110
<b>Round</b>	3 <sup>3</sup> / <sub>8</sub> "	3 <sup>3</sup> / <sub>8</sub> "	3 <sup>3</sup> / <sub>8</sub> "	3 <sup>3</sup> / <sub>8</sub> "	-
<b>Square</b>	3"	3 <sup>3</sup> / <sub>8</sub> "	3 <sup>3</sup> / <sub>8</sub> "	3 <sup>3</sup> / <sub>8</sub> "	4 <sup>1</sup> / <sub>4</sub> "



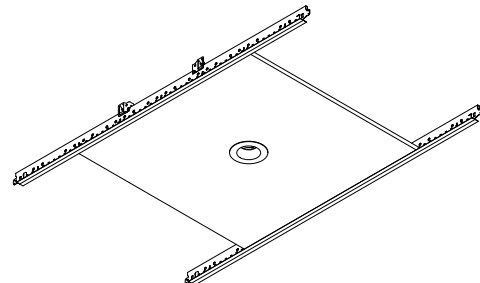
**6** Pull driver output quick connect wiring through the aperture. Connect module to the driver output quick connect (A).



**7** Compress leaf springs (B) to insert module into ceiling cutout.  
**NOTE:** Spring type varies. The module shown in the depiction may require twisting clockwise to help further engage the springs above the ceiling plane.



**8** Hooray! Power can be restored. Enjoy your new lights!



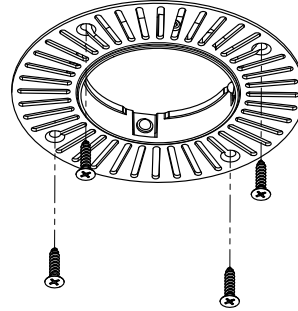
# SECTION 5

## Flangeless Installation Addendum

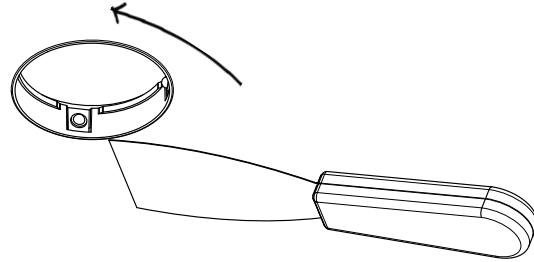
---

**NOTE: For DL60 and DLA60 flangeless installation, above ceiling access is required.**

- 1** Insert the module mudplate / retaining ring into the hole and secure it to the ceiling with four (4) No. 8 screws (by others).



- 2** Carefully plaster the ceiling around the mud plate.



- 3** Return to the applicable section of the instructions to complete installation.  
Section 1 for Open and Closed Housing Installation Instructions  
Section 2 for Pan Housing Installation Instructions  
Section 3 for Retrofit Installation Instructions