

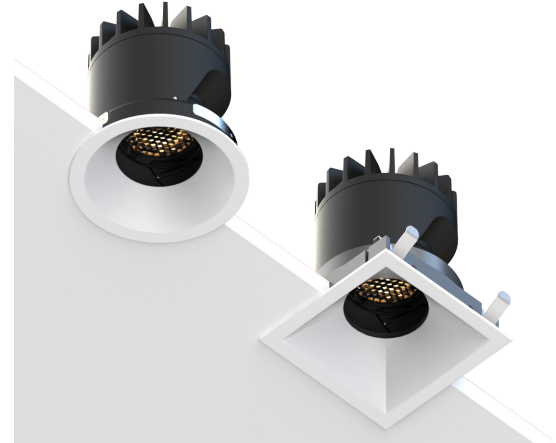
LUMENTURE®










SDLA70 2" ADJUSTABLE DOWNLIGHTS

TYPE: _____

PROJECT: _____

Featuring a patent-pending innovative tilt adjustment, unobtrusive 2.5-inch aperture, discreet closed hemisphere interior, and excellent visual cutoff, the Lumenture SDLA70 Downlight blends seamlessly into its surroundings. Engineered for versatility, it offers an impressive 45° tilt and 365° rotation, delivering high-lumen output with minimal glare. The result is a sophisticated fixture that combines ease/range of adjustment, powerful illumination and refined design.



								
DIMMING Triac, ELV, 0-10V, DALI & LEDcode	WEIGHT 8 oz. (module only)	WATTAGE 6.5W-15W	EFFICACY up to 1250lm up to 83lm/W	AC DRIVER INPUT 120-277V	HOUSING Closed, Open, Pan, Remodel, Chicago Plenum	FINISH Aluminum module & trim, Powdercoat	ACCESSORIES Emergency Backup Inverter, Lenses & Louvres (pg 4)	MOVEMENT 45° tilt 365° rotation

ORDERING

FIXTURE	CCT/CRI ¹	BEAM SPREAD ¹	CONE COLOR ¹	CONE TYPE	TRIM COLOR ¹	TRIM TYPE	DRIVER ²	OUTPUT (mA) ¹	Housing Availability ³				HOUSING/J-BOX		
									C	CS	N	P		R	
SDLA70	22H - 2200K, CRI 90+	15 - 15° ⁵	A - Alzak	R - Round	A - Alzak	S - Standard	U - Universal Dimming Driver (Triac, ELV & 0-10V)	150 - 6.5W	✓	coming soon	✓	✓	✓	C - Closed ⁶	
	27H - 2700K, CRI 90+	25 - 25°	B - Black	RP - Round Pinhole	B - Black	F - Flangeless		200 - 8.5W	✓	coming soon	✓	✓	✓		CS - Closed Shallow
	30H - 3000K, CRI 90+	40 - 40°	BR - Bronze	S - Square	BR - Bronze	M - Millwork	D1 - EldoLED DALI/LEDcode (0.1% dimming)	250 - 11W	✓	coming soon	✓	✓	✓	N - Open	
	30B - 3000K, CRI 95+	50 - 50°	S - Silver	SP - Square Pinhole	S - Silver	W - White		300 - 12.5W	✓	coming soon	✓	✓	✓		P - Pan
	30D - 3000K, CRI 90+ (Dim-to-Warm) ⁴		W - White		W - White			C - Custom	350 - 15W	✓	coming soon	✓	✓		
	35H - 3500K, CRI 90+														
	40H - 4000K, CRI 90+														

NOTES

1. Custom options available. Please consult factory.
 2. Emergency Backup option available. See page (5).
 3. Housing availability chart is for informational purposes only. Do not include in ordering. (CS) Closed Shallow Plenum housing max TBD - coming soon.
 4. Full Dim-to-Warm range of 3000K to 1800K only applicable between 300-400mA. Range for other outputs: 150mA=2600K to 1800K; 200mA=2750K to 1800K; 250mA=2850K to 1800K.
 5. 15° nominal Dim-to-Warm is 20° actual. Please see website for IES files.
 6. (C) Closed Housing option is CP (Chicago Plenum) Rated and Spray Foam Rated. Spray Foam maximum output TBD - coming soon.
- * Optional butterfly brackets available. See accessories on page (5).
Butterfly brackets and factory installed brackets are required for acoustical ceiling tile (ACT) ceilings.

KEY

- ✓ Available, Non-IC-Rated
- ✓ Available, IC-Rated,

ORDERING EXAMPLE:

SDLA70 - 22H - 15 - W - S - W - S - U - 250 - P

LISTINGS

Certified to UL standard 1598 and CSA C22.2 No. 250.0-08 for damp locations.



SDLA70 2in Adjustable Downlight Specifications p. 1/5

Custom options available, please consult factory
Product specifications are subject to change
info@lumenture.com P. 203.864.3333



www.lumenture.com
version 2026401

SDLA70 2" ADJUSTABLE DOWNLIGHTS

PHOTOMETRICS

LUMEN OUTPUT

Values fluctuate based on CCT and CRI. To estimate delivered lumen output of various CCT/CRI options, multiply nominal lumens by the multiplier below.

OUTPUT (mA)	WATTAGE	NOMINAL LUMENS
150	6.5W	525
200	8.5W	675
250	11W	875
300	12.5W	1000
350	15W	1200

CODE	CCT	CRI	TECHNOLOGY	15°	25°	40°	50°
22H	2200K	90+	Standard	0.85	0.85	0.80	0.80
27H	2700K	90+	Standard	0.95	0.95	0.90	0.90
30H	3000K	90+	Standard	1.00	1.00	0.95	0.95
30B	3000K	95+	Standard	0.90	0.90	0.85	0.85
30D	3000K	90+	Dim-to-Warm	0.90	0.90	0.85	0.85
35H	3500K	90+	Standard	1.00	1.00	0.95	0.95
40H	4000K	90+	Standard	1.05	1.05	1.00	1.00

Luminaire maintains a lumen output tolerance of +/-7.5%

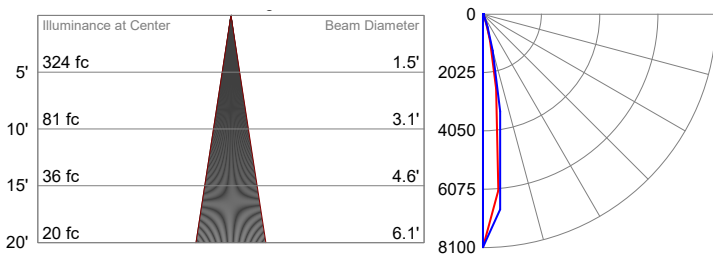
* Full Dim-to-Warm range of 3000K to 1800K only applicable between 300-350mA.

150mA dims 2600K to 1800K. 200mA dims 2750K to 1800K. 250mA dims 2850K to 1800K.

*15° nominal Dim-to-Warm is 20° actual. Please see website for IES files.

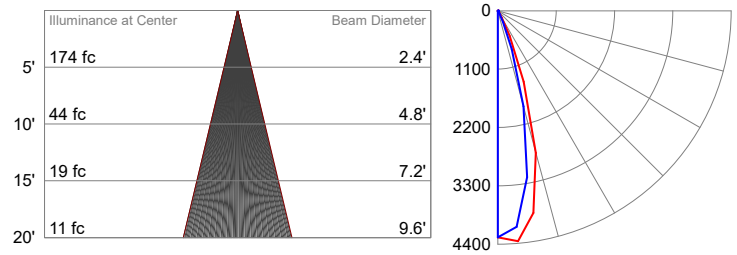
SDLA70 - 15 Degree

Delivered Light Output: 1013 Lumens
 Total Watts @120V: 12.5;
 Lumens Per Watt: 81
 Center Beam Candle Power: 8088
 Spacing Criteria: 0.32



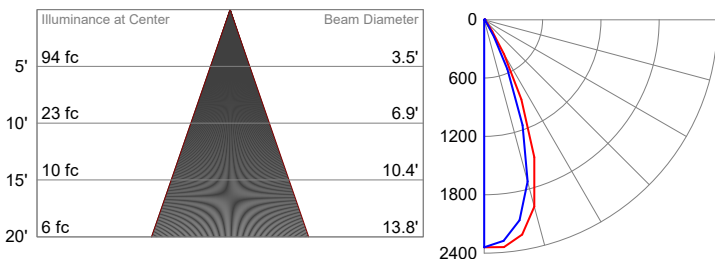
SDLA70 - 25 Degree

Delivered Light Output: 1002 Lumens
 Total Watts @120V: 12.5;
 Lumens Per Watt: 80
 Center Beam Candle Power: 4360
 Spacing Criteria: 0.46



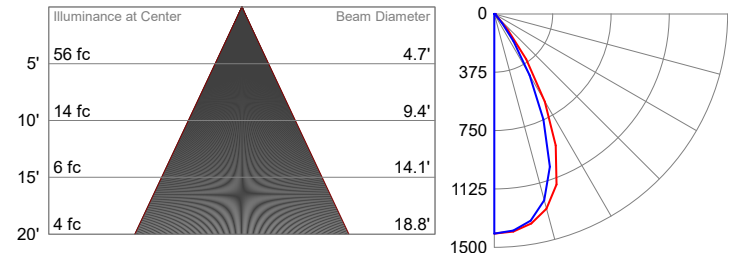
SDLA70 - 40 Degree

Delivered Light Output: 961 Lumens
 Total Watts @120V: 12.5;
 Lumens Per Watt: 77
 Center Beam Candle Power: 2348
 Spacing Criteria: 0.60



SDLA70 - 50 Degree

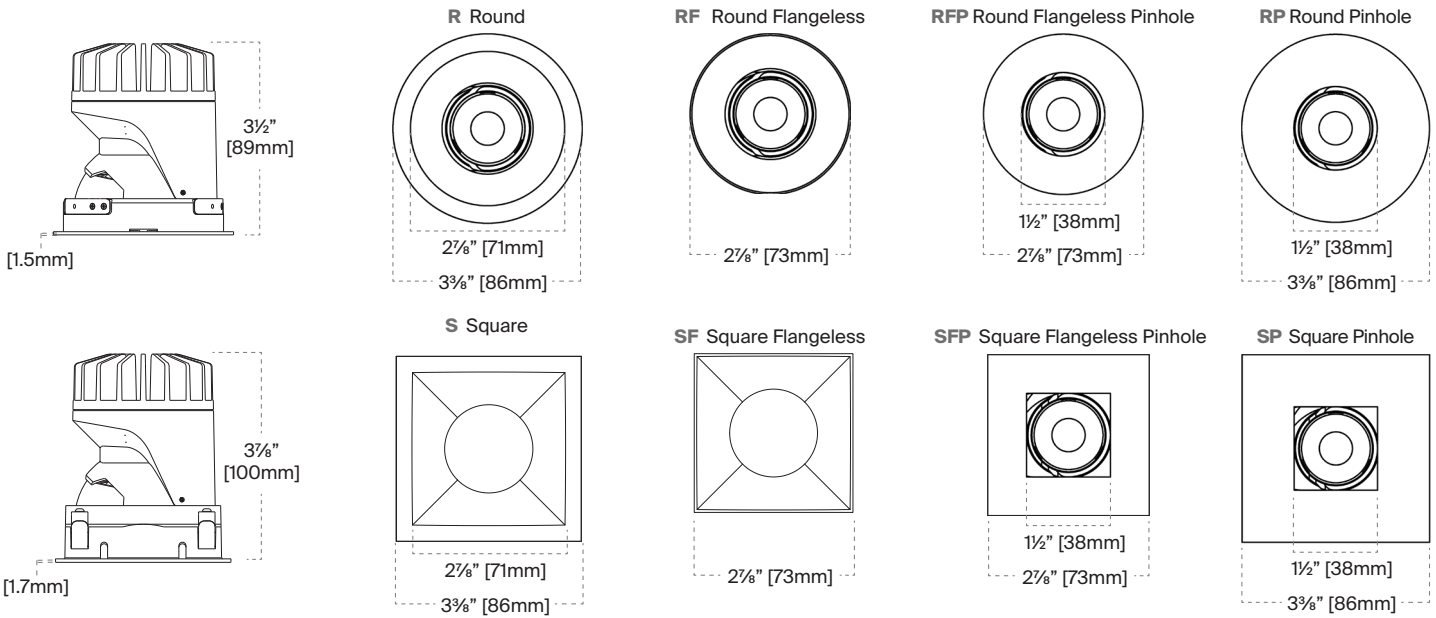
Delivered Light Output: 941 Lumens
 Total Watts @120V: 12.5
 Lumens Per Watt: 75
 Center Beam Candle Power: 1412
 Spacing Criteria: 0.78



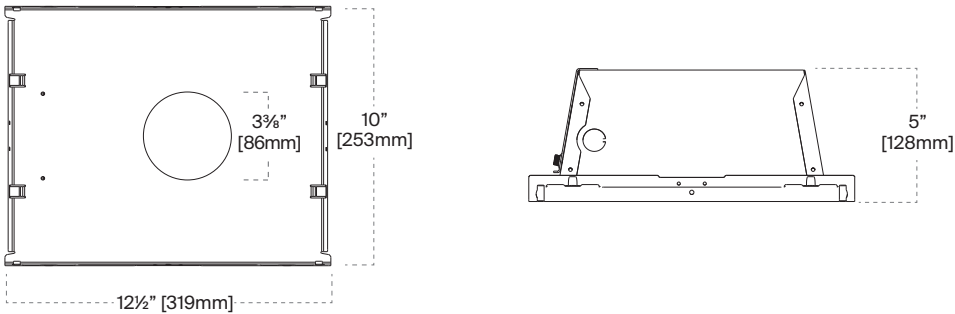
SDLA70 2" ADJUSTABLE DOWNLIGHTS

Max Ceiling Thickness
 Round - Tilt Restricted starting at 3/4"
 Square - 5/8"

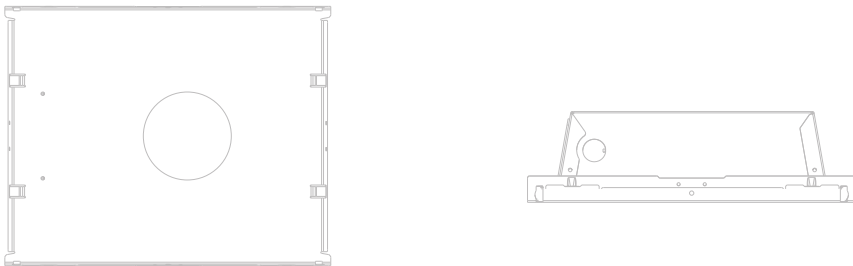
DIMENSIONS



CLOSED (C) HOUSING DIMENSIONS

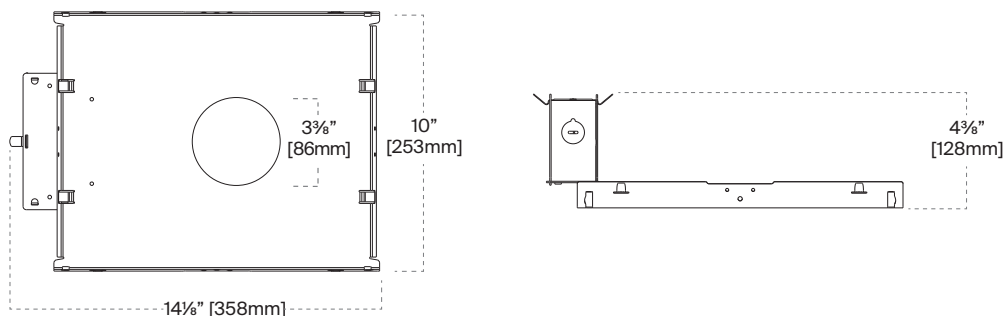


CLOSED SHALLOW (CS) HOUSING DIMENSIONS - COMING SOON

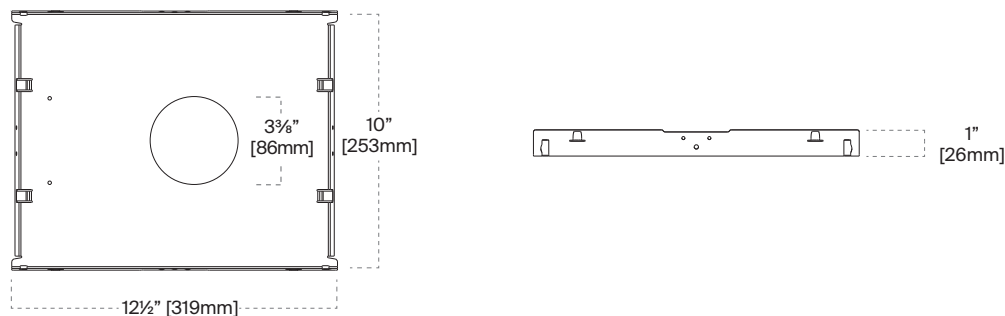


SDLA70 2" ADJUSTABLE DOWNLIGHTS

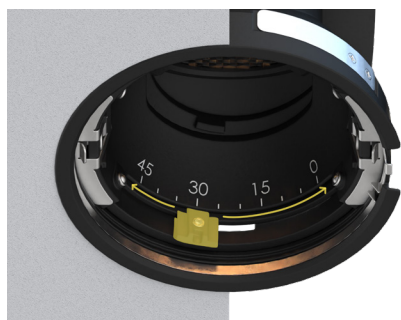
OPEN (N) HOUSING DIMENSIONS



PAN (P) DIMENSIONS

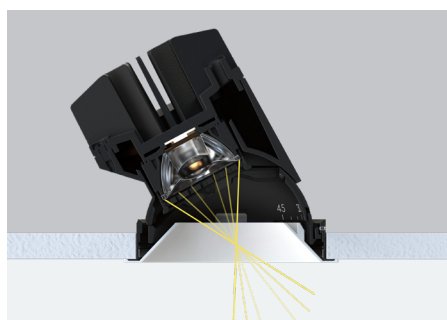


INNOVATION DETAILS



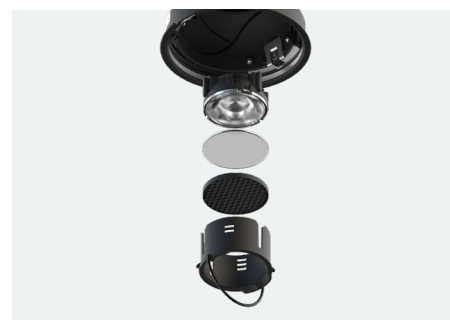
EASY ADJUSTABILITY

Effortless adjustment with a patent-pending, innovative toolless touch slider. See where you're aiming, when you're aiming. Degree markings at 5° increments ensure you're on target everytime.



PRECISE OPTICAL CONTROL

Cross-beam optics ensure a smooth beam and consistent lumen output - even at extreme aiming angles - eliminating any visible cut lines when tilted.



ACCESSORIZE FROM BELOW

An intuitive patent-pending twist and pull design allows for fast and easy optic and lens accessory modifications in the field.

NOTE:

See website www.inSPHEREational.com for more details on SDLA70 features.

SDLA70 2" ADJUSTABLE DOWNLIGHTS

DIMMING


Dimming is standard and allows for smooth illumination below 0.1% with certain dimmer/driver combinations. The "U" (Universal) driver dims to 1%, accepts 120-277V AC Input and is compatible with 0-10V, Triac (forward phase) and ELV (reverse phase) dimmers. The "Z1" (0-10V) driver dims to 0.1%, accepts 120-277V AC Input and is compatible with 0-10V dimmers. The "D1" (DALI) driver dims to 0.1%, accepts 120-277V AC Input and is compatible with DALI dimmers. For dimmer compatibility, refer to the Dimming Compatibility document on our website.

ACCESSORIES

LENS ACCESSORIES

 **Lens-Yellow-35**


 **Lens-Green-35**

 **Lens-Blue-35**
(Light Blue)

 **Lens-Red-35**

 **Lens-Rose-35**

 **HL-35**
(Black Honeycomb Louver)

 **LS-35**
(Linear Spread)

 **SOL-35**
(Solite)

NOTES

Field replaceable optics and accessories available. Please consult factory.
Lens accessories can not be combined with any Wet Trim.



BUTTERFLY BRACKET KIT

Contains two (2) butterfly brackets and two (2) wing nuts
Butterfly brackets and factory installed brackets are required for acoustical ceiling tile (ACT) ceilings.

EMERGENCY LIGHTING

INVERTERS	ACI-H35-A1	ACI-H100-A1
Output Power:	35 Watts	100 Watts
Emergency Operation:	90 Min	90 Min
Battery Type:	LiFePO4	LiFePO4
Input Voltage:	120-277 Volts	120-277 Volts
Output Voltage:	120-277 Volts	120-277 Volts
Class 2 Output:	n/a	n/a
Diagnostic Type:	Test switch ¹	Test switch ¹
Title-20 Compliant:	Yes	Yes
Life Expectancy:	75k Hours	75k Hours
Dimensions:	20.67" x 2.24" x 2.05"	19.5" x 3.35" x 2.2"
Mounting Type:	In-Line / Remote	In-Line / Remote
Maximum Distance:	300ft (18AWG)	300ft (18AWG)
Weight:	4.85lbs	7.28lbs
Operating Ambient Temp	0-50° C	0-50° C

BACKUP BATTERY	ACE EM ACEPH101555CP
Output Power:	10W (Constant)
Emergency Operation:	90 Minutes
Battery Type:	Lithium iron phosphate
Input Voltage:	120-277 VAC
Output Voltage:	15-55 VDC
Class 2 Output:	Yes
Diagnostic Type:	Manual
Title-20 Compliant:	Yes
Life Expectancy:	7-10 Years
Dimensions:	9.5 x 1.7 x 1.2"
Mounting Type:	Inline (metal conduit)
Weight:	2.8lbs

Small size and versatile mounting is suitable for plenum space mounting in close proximity to the luminaire or for remote mounting up to 300 ft. distance using 18 AWG wire. Further distances are possible with larger gauge wire. Two-wire universal input reduces wiring errors and reduces installation time and complexity. Test switch wiring can be extended up to 50 feet.