

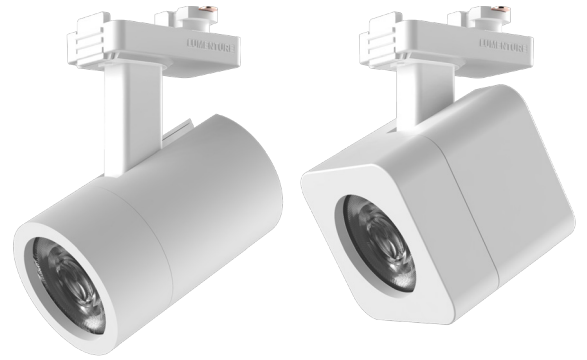
LUMENTURE®

T40 TRACK HEADS

The T40 track cylinder is designed to blend seamlessly into a wide range of environments - including retail, commercial, restaurant and hospitality settings. The T40 comes standard with Lumenture's patent-pending, low-profile mini track adapter and is available in both round and square designs. Specification level details - including no exposed hardware, special attention to finish and the ability to integrate a number of accessories - make the T40 one of the leading-edge track heads on the market.

TYPE: _____

PROJECT: _____



DIMMING
Triac, ELV



WEIGHT
4.5 oz.



WATTAGE
7W



EFFICACY
up to 600lm
up to 85lm/W



INPUT
120V AC



FINISH
Cold forged aluminum
housing, Powdercoat



ACCESSORIES
Field replaceable
optics & accessories



MOVEMENT
90° tilt
355° rotation

ORDERING

FIXTURE	CCT/CRI ⁽¹⁾	LUMENS	BEAM SPREAD ⁽¹⁾	FINISH	MOUNTING TYPE ⁽²⁾	ACCESSORIES ⁽³⁾
T40 - Round	22H - 2200K, CRI 90+	600	22 - 22°	W - White B - Black S - Silver C - Custom	J - J Type (Standard) L - L Type	SN - Standard Tapered Snoot ⁽⁴⁾ SNC - Cylinder Snoot ⁽⁵⁾
T40S - Square	27H - 2700K, CRI 90+					
	30H - 3000K, CRI 90+					
	30B - 3000K, CRI 95+					
	35H - 3500K, CRI 90+					
	40H - 4000K, CRI 90+					

NOTES

1. Custom options available. Please consult factory.
2. Mini Adapter is for single-circuit only.
3. See page (3) for a full list of accessories and canopy accessories.
4. Available for T40S (square) only.
5. Available for T40 (round) only.

ORDERING EXAMPLE:

T40 - **30H** - **600** - **22** - **W** - **J** - **SNC**

LISTINGS

Certified to UL standard 1574 and CSA C22.2 No. 9.0 for dry locations



T40 TRACK HEADS

PHOTOMETRICS

LUMEN OUTPUT

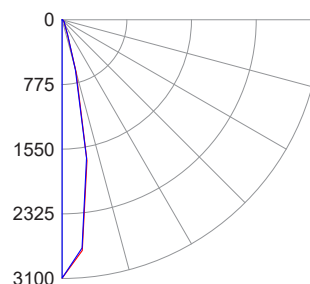
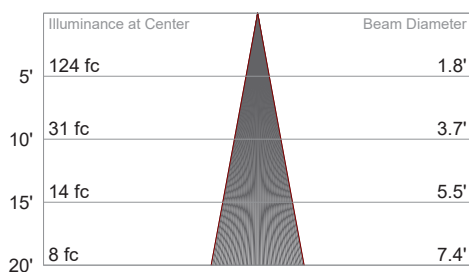
Values fluctuate based on CCT/CRI. To estimate delivered lumen output of the various CCT/CRI options, multiply nominal lumens (600 lumens) by the multiplier to the right.

Luminaire maintains a lumen output tolerance of +/-7.5%

CODE	CCT	CRI	TECHNOLOGY	22°	40°
22H	2200K	90+	Standard	0.75	0.75
27H	2700K	90+	Standard	0.85	0.85
30H	3000K	90+	Standard	1.00	1.00
30B	3000K	95+	Standard	0.80	0.80
30D	3000K	90+	Dim-to-Warm*	0.80*	0.80*
35H	3500K	90+	Standard	1.05	1.05
40H	4000K	90+	Standard	1.05	1.05

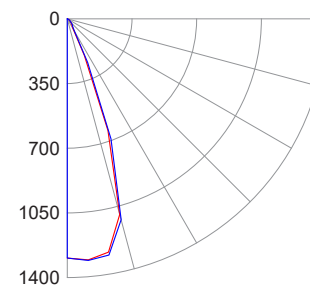
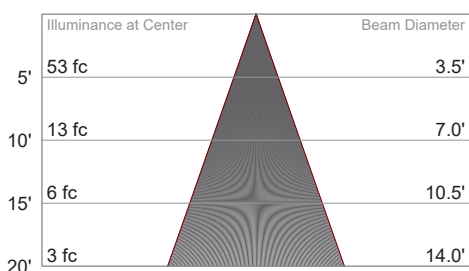
T40 - 22 Degree

Delivered Light Output: 590 Lumens
 Total Watts @120V: 7;
 Lumens Per Watt: 84
 Center Beam Candle Power: 3442
 Spacing Criteria: 0.4

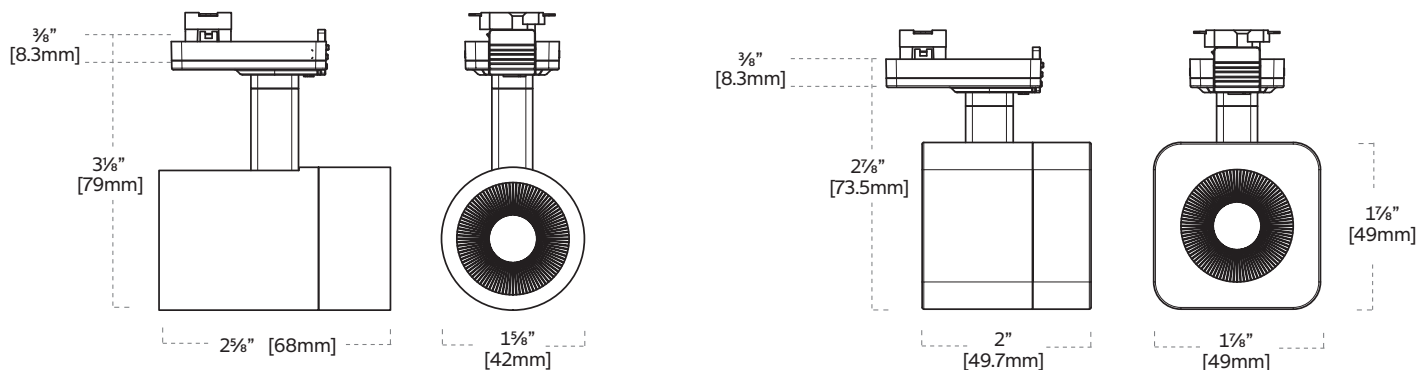


T40 - 40 Degree

Delivered Light Output: 610 Lumens
 Total Watts @120V: 7;
 Lumens Per Watt: 87
 Center Beam Candle Power: 1375
 Spacing Criteria: 0.6



DIMENSIONS



Standard option shown with our J-Type mini track adapter

T40 TRACK HEADS

DIMMING

Dimming is standard and allows for smooth illumination below with certain dimmers. Compatible with most Triac (forward phase) and ELV (reverse phase) dimmers. For dimmer compatibility, refer to the Fixture Dimming Compatibility document on our website.

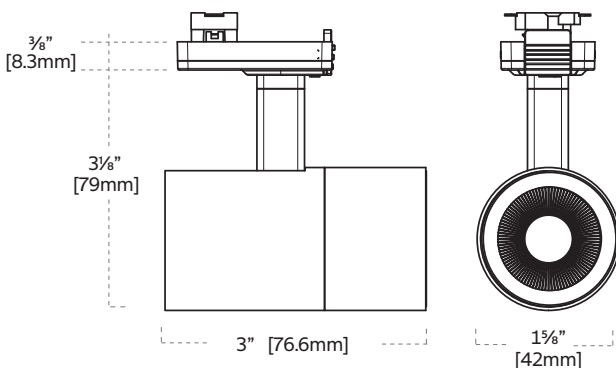
TRACK COMPATIBILITY

Luminaire J-Type Mini Adapters are designed for use with Luminaire's track systems, as well as Juno® & Contech® track. Our L-Type adapter is compatible with Lightolier® track. Due to its patent-pending small form factor, the Mini Adapter is single circuit only.

ACCESSORIES

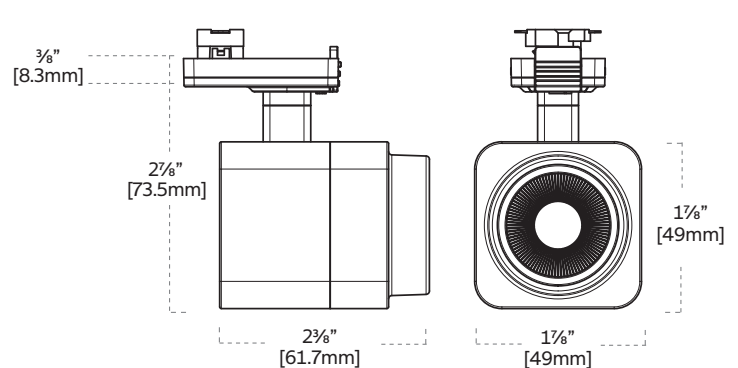
SNC (Cylinder Snoot)

Will accept up to two (2) accessories.
Finish: W, B, S. The inside surface is black.
Available for T40 Round only.



SN (Standard Tapered Snoot)

Will accept up to two (2) accessories.
Finish: W, B, S. The inside surface is black.
Available with T40S Square only.



T40-X (Lens Accessories)

All accessories require a snoot.
Field replaceable optics and accessories available. Please consult factory.

