

LUMENTURE®

T50VNSP TRACK HEADS

The T50 Very Narrow Spot (VNSP) track cylinder has an amazingly narrow 7 degree beam with high CBCP and excellent cutoff. It is designed to blend seamlessly into a wide range of environments - including retail, commercial, restaurant and hospitality settings. Coming standard with Lumenture's patented low-profile Infinity Adapter™ - the T50VNSP has the ability to rotate continuously for effortless aiming. Specification level details - including no exposed hardware, special attention to finish and the ability to integrate a number of accessories - make the T50VNSP one of the leading-edge track spots on the market.

TYPE: _____

PROJECT: _____



DIMMING
Triac, ELV



WEIGHT
12 oz.



WATTAGE
7.5 W



INPUT
120V AC



FINISH
Cold-forged aluminum housing, Powdercoat



MOVEMENT
Infinite rotation, 90° tilt



CANDLE POWER
12500

ORDERING

FIXTURE	CCT/CRI ¹	LUMENS	BEAM SPREAD	FINISH	MOUNTING TYPE	ACCESSORIES ²
T50	27H - 2700K, CRI 90+ 30H - 3000K, CRI 90+ 35H - 3500K, CRI 90+	500	7 - 7°	W - White B - Black S - Silver	J - J Type (Standard) H - H Type L - L Type G - G Type / 2C2N SC - Slim Canopy SC-Sxx ³ - Slim Canopy with Stem STE ⁴ - Stucchi Flush (2C/2N) MC - Micro Canopy	SN - Standard Tapered Snoot (required) JA-18 - Standard Mono-Point JA-21 - Duo-Point Adapter JA-18-[Finish]-Cover - Deep Canopy Collar

NOTES

1. Custom options available. Please consult factory.
2. See page (3) for a full list of canopy options.
3. SC-Sxx where xx = length of stem in inches. Please indicate length of desired stem in ordering. Available in 6", 8", 10", 12", 18", 24", 36" or 48" lengths. Custom lengths under 48" are available - please consult factory.
4. ST(X) Stucchi options are available in (B) Black or (W) White only. Contact factory for other options.

ORDERING EXAMPLE:

T50 - **30H** - **500** - **7** - **W** - **J** - **SN**

LISTINGS: certified to UL standard 1574 and CSA C22.2 No. 9.0 for dry locations.



T50VNSP TRACK HEADS

PHOTOMETRICS

LUMEN OUTPUT

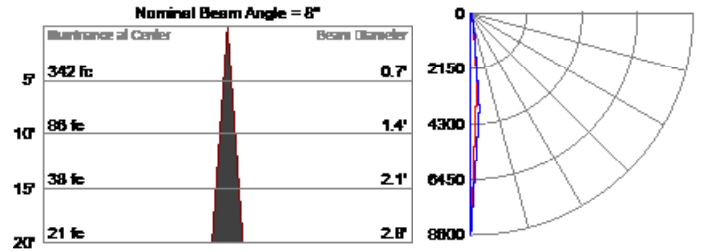
Values fluctuate based on CCT/CRI. To estimate delivered lumen output of the various CCT/CRI options, multiply nominal lumens (500 lumens) by the multiplier below.

CODE	CCT	CRI	TECHNOLOGY	7°
27H	2700K	90+	Standard	0.80
30H	3000K	90+	Standard	0.90
35H	3500K	90+	Standard	0.95

Luminaire maintains a lumen output tolerance of +/-7.5%

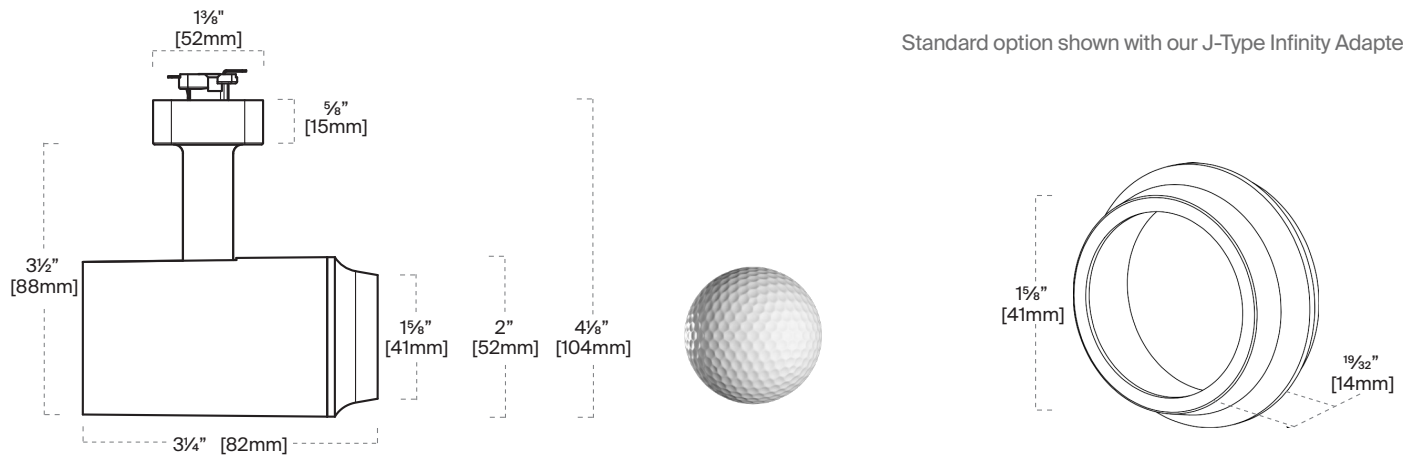
T50 - 7 Degree VNSP

Delivered Light Output: 450 Lumens
 Total Watts @120V: 7.6W
 Lumens Per Watt: 59
 Center Beam Candle Power: 8850



DIMENSIONS

Standard option shown with our J-Type Infinity Adapter™



DIMMING

Dimming is standard and allows for smooth illumination below 1% with certain dimmers. Compatible with most Triac (forward phase) and ELV (reverse phase) dimmers. For dimmer compatibility, refer to the Fixture Dimming Compatibility document on our website.

TRACK COMPATIBILITY

Luminaire J-Type track adapters are designed for use with Luminaire's track systems, as well as Juno® & Contech® track. Our H-Type adapter is compatible with Halo® track, G-Type is compatible with Global Trac 2C/2N track and L-Type adapter is compatible with Lightolier® one-circuit track. Registered trademarks are property of their respective owners.

T50VNSP TRACK HEADS

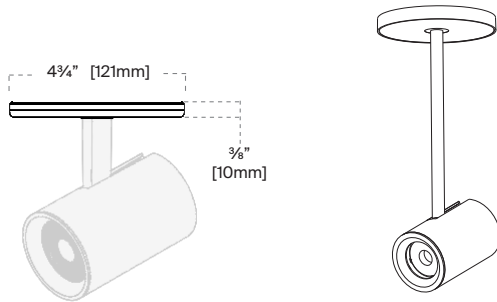
Finish Codes:

- B** - Black
- S** - Silver
- W** - White

INTEGRAL CANOPY (Factory Installed)

SC (Slim Canopy)

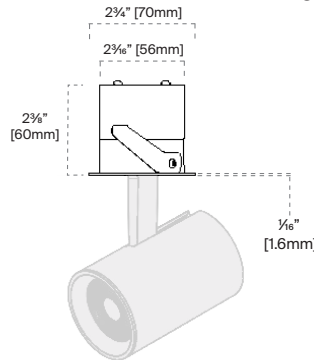
The slim canopy mounts directly over a standard junction box - resulting in an elegant and clean install. Available in different round stem lengths. See ordering details. Finish: B, S, W



MC (Micro Canopy)

With a minimal 2.75" trim, the Lumenture micro-canopy virtually "disappears" into the ceiling - offering an even more refined look for the most high-end applications.

Finish: B, S, W | Max ceiling thickness: 5/8"

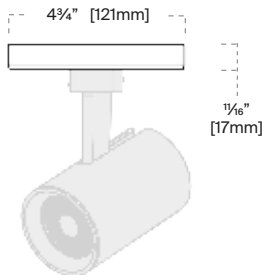


NOTE: Longer springs for thicker ceilings available upon request. Please consult factory.

STANDARD CANOPY & ACCESSORIES (Ordered Separately)

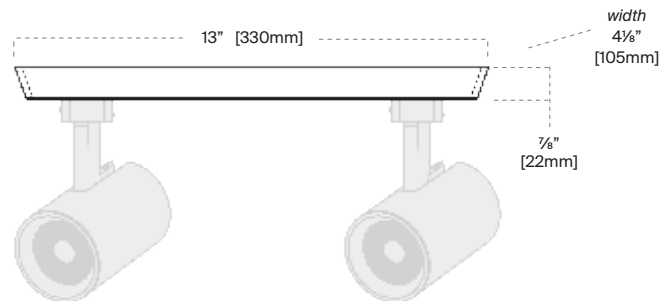
JA-18 (Standard Mono-Point)

The JA-18 canopy mounts directly over a standard junction box and includes a "female" connector that works with Lumenture and other "J-Type" track fixtures. Finish: B, S, W



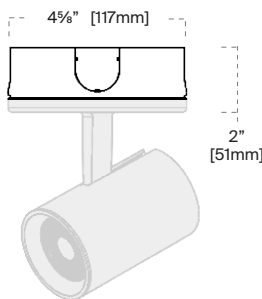
JA-21 (Duo-point Adapter)

Accepts two line voltage track heads to mount to a single outlet box. Compatible with Lumenture and other "J-Type" track fixtures. Finish: B, S, W



JA-18-[Finish]-Cover (Deep Canopy Collar)

The JA-18 Cover helps shield unsightly surface mount J-Boxes and blends seamlessly with the Lumenture JA-18 or SC Slim Canopy (sold separately). Finish: B, W

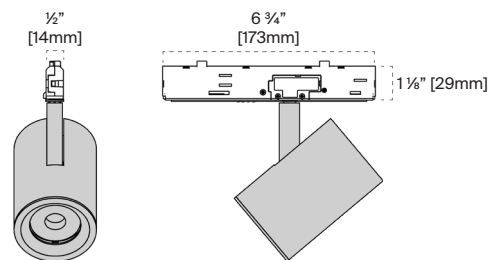


ADAPTERS (Factory Installed)

STE

Stucchi Flush Mount, 2-Circuit 2-Neutral, 120V

Finish: B, W



Ordering Example: JA-18-B-Cover