

# LUMENTURE®

## T65M TRACK HEADS

TYPE: \_\_\_\_\_

PROJECT: \_\_\_\_\_

The T65M track cylinder is designed to blend seamlessly into a wide range of environments – including museum, retail, commercial, restaurant and hospitality settings. Coming standard with Lumenture's patented low-profile Infinity Adapter™ - the T65M has the ability to rotate continuously for effortless aiming and individually dims down to 1% using the built-in dimming functionality, while maintaining compatibility with ELV wall or panel dimmers. Specification level details - including no exposed hardware, special attention to finish and the ability to integrate a number of accessories - make the T65M one of the most premier track heads on the market.



**DIMMING**  
Onboard, ELV



**WEIGHT**  
19 oz.



**WATTAGE**  
15W



**EFFICACY**  
up to 1250lm  
up to 80lm/W



**INPUT**  
120V AC



**FINISH**  
Cold-forged  
aluminum housing,  
Powdercoat



**ACCESSORIES**  
Field replaceable  
optics & accessories



**MOVEMENT**  
Infinite rotation,  
90° tilt

### ORDERING



#### JA8-TITLE 24

Available combinations indicated by shading in the chart below.

FIXTURE	CCT/CRI <sup>1</sup>	LUMENS	BEAM SPREAD	FINISH <sup>1</sup>	MOUNTING TYPE <sup>2</sup>	STEM LENGTH <sup>3</sup>	ACCESSORIES <sup>4</sup>
T65M	27B - 2700K, CRI 95+ 27H - 2700K, CRI 90+ 30B - 3000K, CRI 95+ 30H - 3000K, CRI 90+ 35B - 3500K, CRI 95+ 35H - 3500K, CRI 90+	1200	15 - 15° 25 - 25° 40 - 40° 60 - 60° ZM - Zoom Optic 10° - 45° <sup>5</sup>	W - White B - Black S - Silver	J - J Type (Standard) H - H Type L - L Type GA - G Type / 2C2N STA - Stucchi G Type (2C/2N) STC - Stucchi (3C/1N) STE - Stucchi Flush (2C/2N) SC - Slim Canopy MC - Micro Canopy	S03 - 3" Stem S06 - 6" Stem S12 - 12" Stem S18 - 18" Stem S24 - 24" Stem S36 - 36" Stem S48 - 48" Stem *If using standard stem, leave blank in ordering*	SN - Standard Tapered Snoot SNC - Cylinder Snoot JA-18 - Standard Mono-Point JA-21 - Duo-Point Adapter JA-18-[Finish]-Cover - Deep Canopy Collar BD - Barn Door

#### NOTES:

- Custom options available. Please consult factory.
- ST(X) Stucchi options available in (B) Black or (W) White only. Consult factory for other options.
- Track mount stem options only available up to 12 inches. Custom lengths under 12" are available / custom lengths for (SC) Slim Canopy under 48" are available - Please consult factory. Stems are not available with (MC) Micro Canopy mounting.
- Standard Tapered Snoot (SN) and Cylinder Snoot (SNC) are not available with Zoom Optic (ZM) beam spread option. See page (4), page (5) and page (6) for a full list of accessories and canopy accessories.
- Zoom Optic (ZM) is not field swappable.

#### ORDERING EXAMPLE:

T65M - 30H - 1200 - 25 - W - J - - SN

#### LISTINGS

Certified to UL standard 1574 and CSA C22.2 No. 9.0 for dry locations



#### T65M Track Head Specifications p. 1/6

Custom options available, please consult factory  
Product specifications are subject to change  
info@lumenture.com P. 203.864.3333



www.lumenture.com  
version 20260515

# T65M TRACK HEADS

## PHOTOMETRICS

### LUMEN OUTPUT

Values fluctuate based on CCT/CRI. To estimate delivered lumen output of the various CCT/CRI options, multiply nominal lumens (1200 lumens) by the multiplier below.

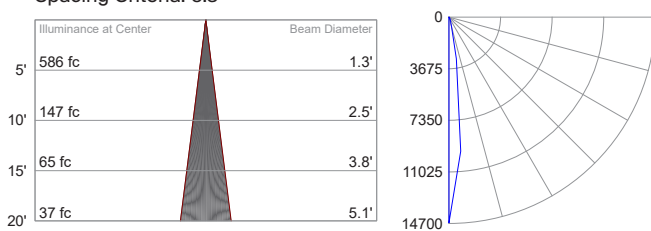
CODE	CCT	CRI	TECHNOLOGY	15°	25°	40°	60°	ZM
27B	2700K	95+	Standard	0.80	0.80	0.80	0.75	0.45
27H	2700K	90+	Standard	0.95	0.95	1.00	0.90	0.55
30B	3000K	95+	Standard	0.80	0.85	0.85	0.80	0.50
30H	3000K	90+	Standard	1.00	1.00	1.05	0.95	0.60
35B	3500K	95+	Standard	0.85	0.85	0.90	0.80	0.50
35H	3500K	90+	Standard	1.00	1.00	1.05	1.00	0.60

### NOTES

Luminaire maintains a lumen output tolerance of +/-7.5%

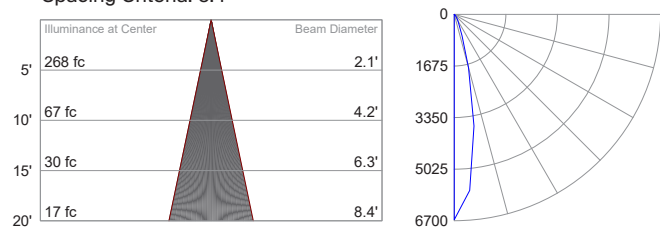
#### T65M - 15 Degree

Delivered Light Output: 1411 Lumens  
 Total Watts @120V: 16;  
 Lumens Per Watt: 88  
 Center Beam Candle Power: 14562  
 Spacing Criteria: 0.3



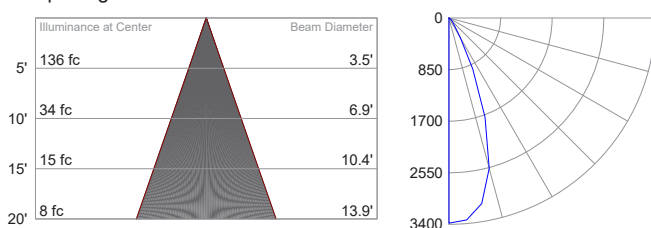
#### T65M - 25 Degree

Delivered Light Output: 1528 Lumens  
 Total Watts @120V: 16;  
 Lumens Per Watt: 95  
 Center Beam Candle Power: 6649  
 Spacing Criteria: 0.4



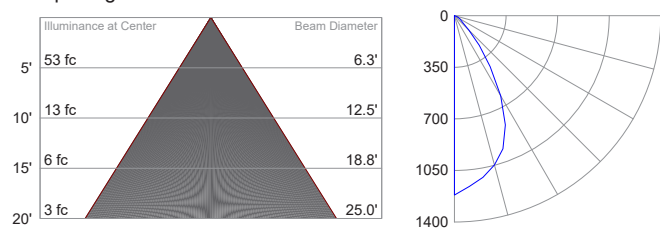
#### T65M - 40 Degree

Delivered Light Output: 1564 Lumens  
 Total Watts @120V: 16;  
 Lumens Per Watt: 97  
 Center Beam Candle Power: 3374  
 Spacing Criteria: 0.6



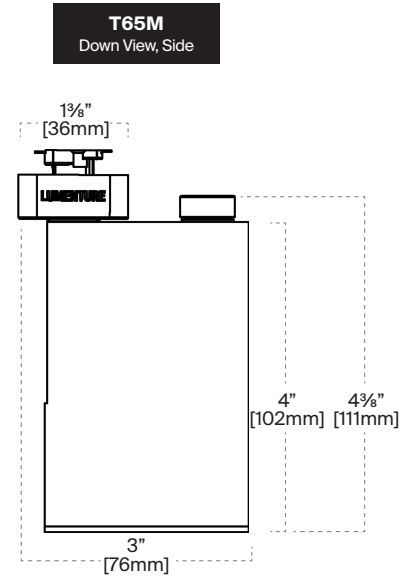
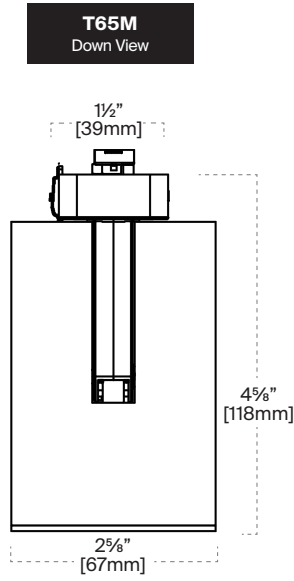
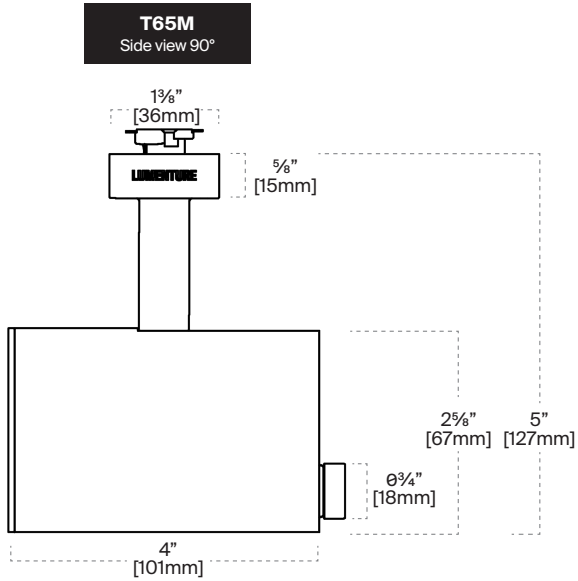
#### T65M - 60 Degree

Delivered Light Output: 1424 Lumens  
 Total Watts @120V: 16;  
 Lumens Per Watt: 89  
 Center Beam Candle Power: 1213  
 Spacing Criteria: 0.9



# T65M TRACK HEADS

## DIMENSIONS



Standard option shown with our J-Type Infinity Adapter™

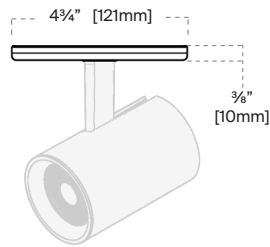
# T65M TRACK HEADS

## INTEGRAL CANOPY (Factory Installed)

### SC (Slim Canopy)

The slim canopy mounts directly over a standard junction box - resulting in an elegant and clean install. Available in different round stem lengths. See ordering for details.

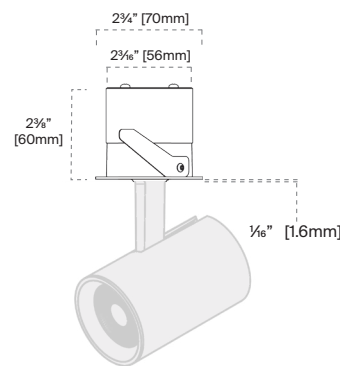
**Finish:** B, S, W



### MC (Micro Canopy)

With a minimal 2.75" trim, the Lumenture micro-canopy virtually "disappears" into the ceiling - offering an even more refined look for the most high-end applications.

**Finish:** B, S, W | **Max ceiling thickness:** 5/8"



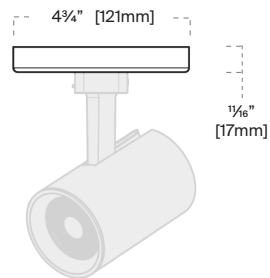
**NOTE:** Longer springs for thicker ceilings available upon request. Please consult factory.

## STANDARD CANOPY & ACCESSORIES (Ordered Separately)

### JA-18 (Standard Mono-Point)

The JA-18 canopy mounts directly over a standard junction box and includes a "female" connector that works with Lumenture and other "J-Type" track fixtures.

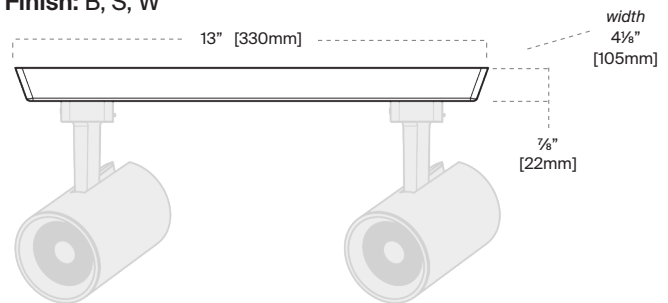
**Finish:** B, S, W



### JA-21 (Duo-point Adapter)

Accepts two line voltage track heads to mount to a single outlet box. Compatible with Lumenture and other "J-Type" track fixtures.

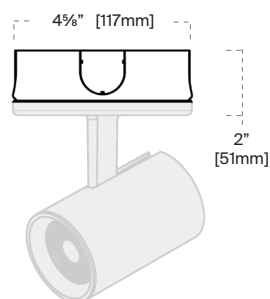
**Finish:** B, S, W



### JA-18-[Finish]-Cover (Deep Canopy Collar)

The JA-18 Cover helps shield unsightly surface mount J-Boxes and blends seamlessly with the Lumenture JA-18 or SC Slim Canopy (sold separately).

**Finish:** B, W



#### Finish Codes:

- B** - Black
- S** - Silver
- W** - White

Ordering Example: JA-18-B-Cover

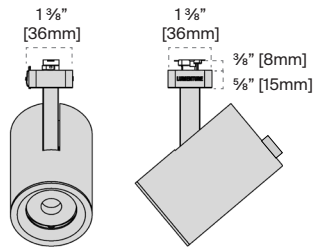
# T65M TRACK HEADS

## Finish Codes:

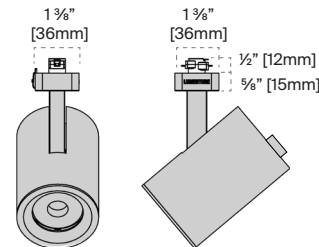
**B** - Black  
**S** - Silver  
**W** - White

## ADAPTERS (Factory Installed)

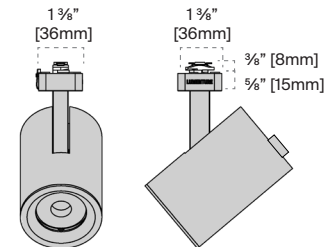
**J**  
 J-Type Adapter Infinity™ Adapter, 120V.  
 Finish: B, S, W



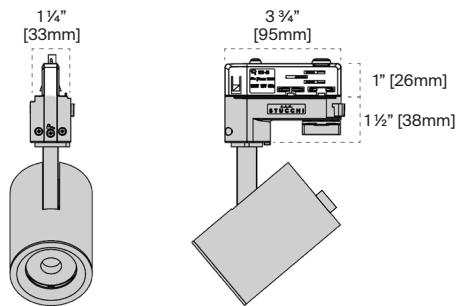
**H**  
 H-Type, 120V  
 Finish: B, S, W



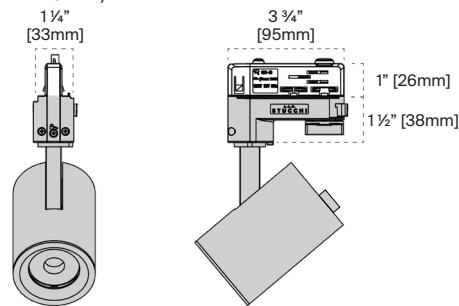
**L**  
 L-Type, 120V.  
 Finish: B, S, W



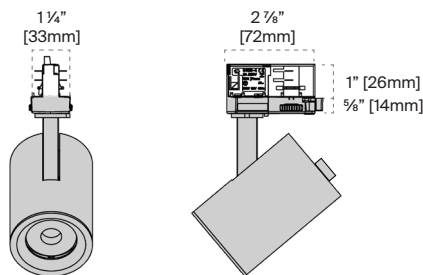
**G**  
 G-Type (Global) Adapter, 2-Circuit 2-Neutral, 120V  
 Finish: B, S, W



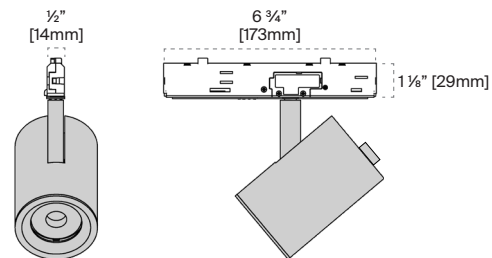
**STA**  
 Stucchi G-Type Adapter, 2-Circuit 2-Neutral, 120V  
 Finish: B, W



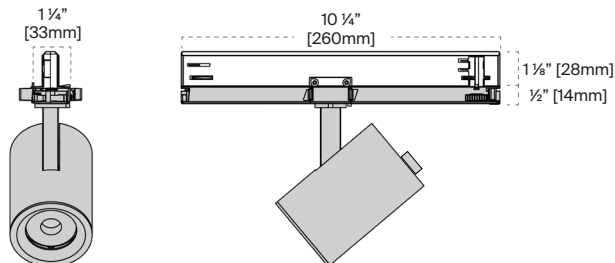
**STC**  
 Stucchi, 3-Circuit 1-Neutral, 120V  
 Finish: B, W



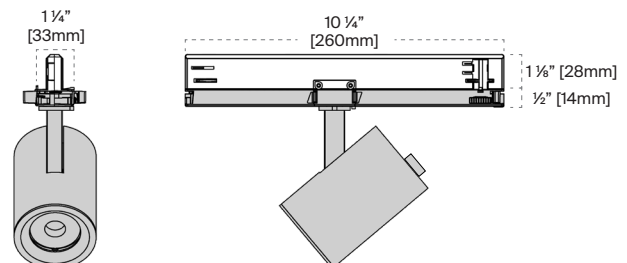
**STE**  
 Stucchi Flush Mount, 2-Circuit 2-Neutral, 120V  
 Finish: B, W



**STI**  
 Stucchi, 3-Circuit 1-Neutral, 120V, 0-10V Dimmable Driver  
 Finish: B, W



**STJ**  
 Stucchi, 3-Circuit 1-Neutral, 120V, DALI Dimmable Driver  
 Finish: B, W



# T65M TRACK HEADS

## DIMMING

Dimming is standard and allows for smooth illumination below 1% using the onboard dimming feature. The T65M is also compatible with most ELV (reverse phase) wall and panel dimmers (note: no Triac dimming at this time). For dimmer compatibility, refer to the Fixture Dimming Compatibility document on our website.

## TRACK COMPATIBILITY

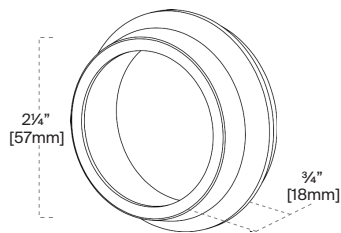
Luminaire J-Type track adapters are designed for use with Luminaire's track systems, as well as Juno® & Contech® track. Our H-Type adapter is compatible with Halo® track, G-Type is compatible with Global Trac 2C/2N track and L-Type adapter is compatible with Lightolier® one-circuit track. Registered trademarks are property of their respective owners.

## ACCESSORIES

### T65-SN-x (Standard Tapered Snoot)

Will accept up to two (2) accessories.

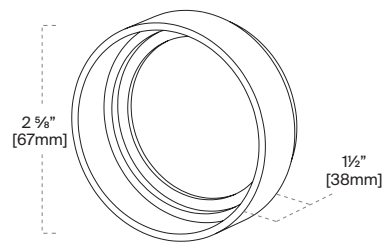
**Finish:** W, B, S. The inside surface is black.



### T65-SNC-x (Cylinder Snoot)

Will accept up to two (2) accessories.

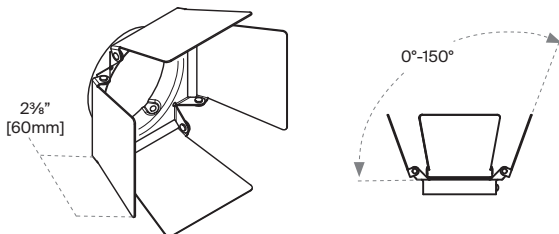
**Finish:** W, B, S. The inside surface is black.



### T65-BD-x (Barn Door)

Attaches to the outside. Can be used with or without a snoot. Snoot required if adding additional accessories.

**Finish:** W, B



### LENS ACCESSORIES


 **Lens-Yellow**


 **Lens-Rose**

 **CB**  
(Black Cross Baffle)

 **Lens-Green**

 **HL**  
(Black Honeycomb Louver)

 **CR**  
(Concentric Ring Baffle)

 **Lens-Blue**  
(Light Blue)

 **LS**  
(Linear Spread)

 **Lens-Red**

 **SOL**  
(Solite)

### NOTES

Field replaceable optics and accessories available. Please consult factory.  
All accessories require a snoot.