

# V-SERIES TRACK HEADS INSTALLATION INSTRUCTIONS

## V60 and V75 TRACK HEADS

V-Series track heads come standard with Lumenture's J-Type adapter.

### IMPORTANT SAFETY INSTRUCTIONS

**Read all the instructions before installation. Save instructions for later use.**

THIS PRODUCT MUST BE INSTALLED IN ACCORDANCE WITH THE APPLICABLE INSTALLATION CODE BY A PERSON FAMILIAR WITH THE CONSTRUCTION AND OPERATION OF THE PRODUCT AND THE HAZARDS INVOLVED. THE POWER UNIT SHOULD BE INSTALLED WHERE IT WILL **NOT** BE SUBJECTED TO ANY MOVEMENT. CONSULT A QUALIFIED ELECTRICIAN TO ENSURE CORRECT BRANCH CIRCUIT CONDUCTOR.

When installing or using this track system, basic safety precautions should always be followed, including the following:

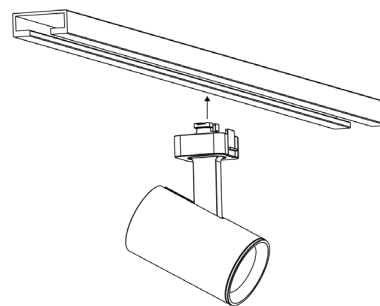
- Do not install any part of a track system less than 5 feet above the floor.
- Do not install any luminaire assembly closer than 6 inches from any curtain, or similar combustible material.
- Disconnect electrical power before adding to or changing the configuration of the track.
- Do not attempt to energize anything other than lighting track luminaires on the track. To reduce the risk of fire and electric shock, do not attempt to connect power tools, extension cords, appliances, and the like to the track.
- **WARNING:** Risk of fire or electrical shock.
- **WARNING:** Suitable for dry or damp locations only.

#### STEP 1

Turn off electrical power to the track prior to installing fixture.

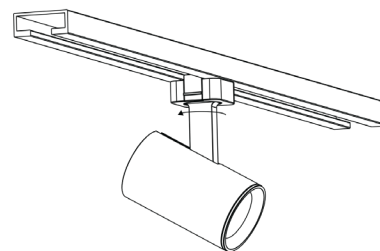
#### STEP 2

Insert electrical contacts into track channel.



#### STEP 3

Rotate adapter 90°. Turn left for install of track head.



# V-SERIES TRACK HEADS INSTALLATION INSTRUCTIONS

## TWO CIRCUIT ADAPTERS

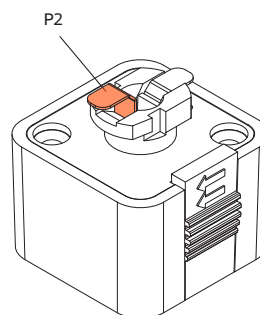
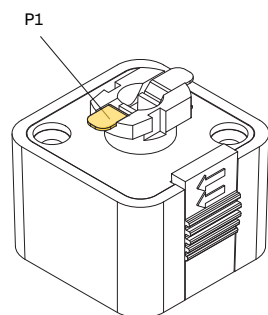
Lumiture's track head adapters allow for easy installation into either a single circuit or two circuit track system. You can select the circuit on which the fixture will be powered by simply adjusting the position of the metal tab on the adapter up or down prior to insertion into the track.

**NOTE:**

P1 = Lowered position (factory setting). Use for single circuit track or circuit #1 of two circuit track.

P2 = Raised position. Use for circuit #2 of two circuit track.

### J-Type (factory standard)



### L-Type

