

LUMENTURE®

V60 TRACK HEADS

TYPE: _____

PROJECT: _____

The V60 track cylinder is designed to blend seamlessly into a wide range of environments - including retail, commercial, restaurant and hospitality settings.



DIMMING
Triac, ELV



WEIGHT
14.6 oz.



WATTAGE
12.5W



EFFICACY
up to 1250lm
up to 100lm/W



INPUT
120V AC



FINISH
Forged aluminum
housing, Powdercoat



MOVEMENT
355° rotation,
90° tilt

ORDERING

FIXTURE	CCT/CRI*	LUMENS	BEAM SPREAD*	FINISH	MOUNTING TYPE
V60	27H - 2700K, CRI 90+ 30H - 3000K, CRI 90+ 35H - 3500K, CRI 90+ 40H - 4000K, CRI 90+	1250	25 - 25° 40 - 40°	W - White B - Black S - Silver	J - J Type (Standard) L - L Type

*Custom options available, please consult factory.

ORDERING EXAMPLE:

V60 - 30H - 1250 - 25 - W - J

LISTINGS

Certified to UL standard 1574 and CSA C22.2 No. 9.0 for dry locations



V60 Track Head Specifications p. 1/3

Custom options available, please consult factory

Product specifications are subject to change

info@lumature.com P. 203.864.3333

LUMENTURE®

www.lumature.com

version 20231018

V60 TRACK HEADS

PHOTOMETRICS

LUMEN OUTPUT

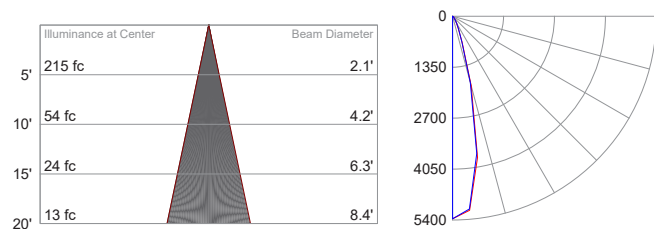
Values fluctuate based on CCT/CRI. To estimate delivered lumen output of the various CCT/CRI options, multiply nominal lumens (1250 lumens) by the multiplier below.

CODE	CCT	CRI	TECHNOLOGY	25°	40°
27H	2700K	90+	Standard	0.95	0.95
30H	3000K	90+	Standard	1.00	1.00
35H	3500K	90+	Standard	1.05	1.05
40H	4000K	90+	Standard	1.05	1.05

Luminaire maintains a lumen output tolerance of +/-7.5%

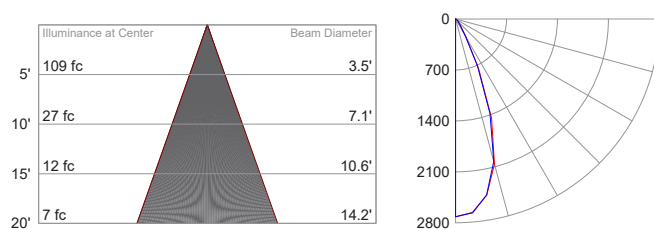
V60 - 25 Degree

Delivered Light Output: 1237 Lumens
 Total Watts @120V: 12.5;
 Lumens Per Watt: 98
 Center Beam Candle Power: 5367
 Spacing Criteria: 0.42

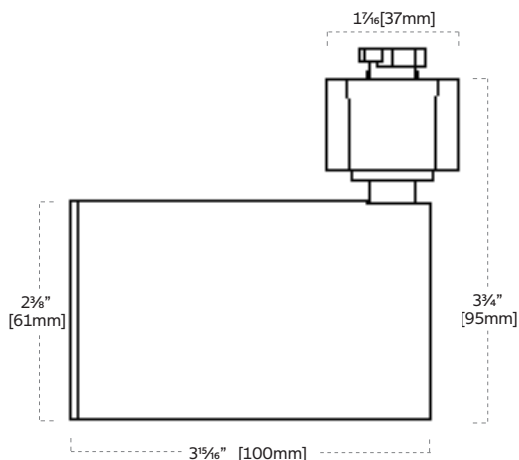


V60 - 40 Degree

Delivered Light Output: 1241 Lumens
 Total Watts @120V: 12.5;
 Lumens Per Watt: 98
 Center Beam Candle Power: 2717
 Spacing Criteria: 0.71



DIMENSIONS



V60 TRACK HEADS

DIMMING

Dimming is standard and allows for smooth illumination below 5% with certain dimmers. Compatible with most Triac (forward phase) and ELV (reverse phase) dimmers. For dimmer compatibility, refer to the Fixture Dimming Compatibility document on our website.

TRACK COMPATIBILITY

Luminaire J-Type track adapters are designed for use with Luminaire's track systems, as well as Juno® & Contech® track. Our L-Type adapter is compatible with Lightolier® track. All adapters are compatible with two-circuit track systems. Registered trademarks are property of their respective owners.