

MICRO CANOPY

INSTALLATION INSTRUCTIONS

IMPORTANT

Read carefully before installing fixture. Retain instructions for future reference.

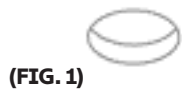
THIS PRODUCT MUST BE INSTALLED IN ACCORDANCE WITH THE APPLICABLE INSTALLATION CODE BY A PERSON FAMILIAR WITH THE CONSTRUCTION AND OPERATION OF THE PRODUCT AND THE HAZARDS INVOLVED. CONSULT A QUALIFIED ELECTRICIAN TO ENSURE CORRECT BRANCH CIRCUIT CONDUCTOR.

WARNING: RISK OF FIRE OR ELECTRICAL SHOCK.

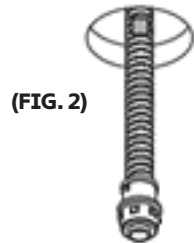
WARNING: Make certain power is OFF before installing or maintaining fixture.

WARNING: SUITABLE FOR DRY LOCATIONS ONLY.

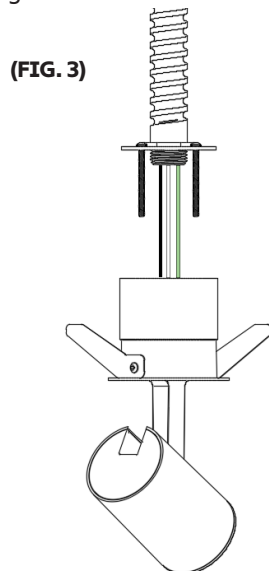
STEP 1. Cut 2.5" hole in ceiling.



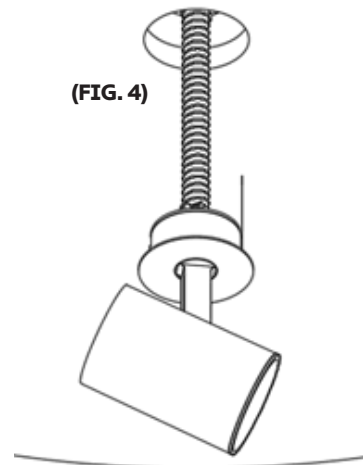
STEP 2. Pull prewired flex conduit through ceiling opening and install conduit fitting.



STEP 3. Remove 4 screws to access wiring compartment and insert conduit fitting. Make internal wiring connections using wire nuts or wago connectors.



STEP 4. Once connections are made, replace cover and insert wiring compartment into the ceiling.



STEP 5. Compress springs and insert the canopy into the ceiling cutout until the trim is flush with the ceiling.

