

T-SERIES TRACK HEADS INSTALLATION INSTRUCTIONS

T50, T65, T80 TRACK HEADS

T-Series track heads come equipped with Lumenture's patent-pending infinity adapter and innovative accessory holder. Our innovative patent-pending adapter features a low-profile body and the unique ability to rotate continuously for effortless aiming. Multiple adapter types allow our T-Series to be compatible with one-circuit and two-circuit tracks of most major brands.

IMPORTANT SAFETY INSTRUCTIONS

Read all the instructions before installation. Save instructions for later use.

THIS PRODUCT MUST BE INSTALLED IN ACCORDANCE WITH THE APPLICABLE INSTALLATION CODE BY A PERSON FAMILIAR WITH THE CONSTRUCTION AND OPERATION OF THE PRODUCT AND THE HAZARDS INVOLVED. THE POWER UNIT SHOULD BE INSTALLED WHERE IT WILL **NOT** BE SUBJECTED TO ANY MOVEMENT. CONSULT A QUALIFIED ELECTRICIAN TO ENSURE CORRECT BRANCH CIRCUIT CONDUCTOR.

When installing or using this track system, basic safety precautions should always be followed, including the following:

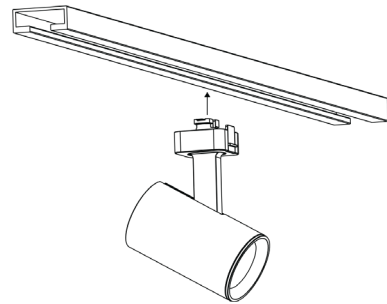
- Do not install any part of a track system less than 5 feet above the floor.
- Do not install any luminaire assembly closer than 6 inches from any curtain, or similar combustible material.
- Disconnect electrical power before adding to or changing the configuration of the track.
- Do not attempt to energize anything other than lighting track luminaires on the track. To reduce the risk of fire and electric shock, do not attempt to connect power tools, extension cords, appliances, and the like to the track.
- **WARNING:** Risk of fire or electrical shock.
- **WARNING:** Suitable for dry or damp locations only.

STEP 1

Turn off electrical power to the track prior to installing fixture.

STEP 2

Insert electrical contacts into track channel.



STEP 3

Rotate adapter 90°. Turn left for install of track head.

