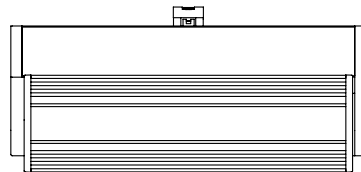


TWW160 INSTALLATION INSTRUCTIONS

PRODUCT INFORMATION

Lumiture's TWW160 is a sleek track wall washer with an 11/16" wide lens. Featuring a centered pivot-point, the TWW160 can tilt 40 degrees in both directions, making it a versatile and easy-to-adjust fixture.



IMPORTANT SAFETY INSTRUCTIONS

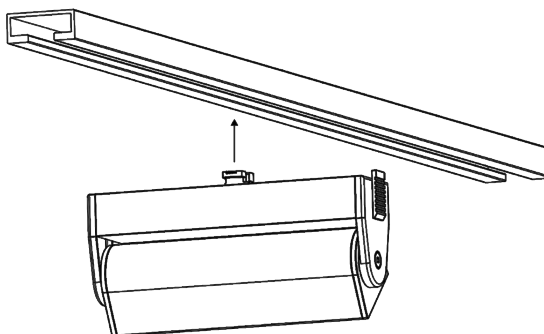
Read all the instructions before installation. Save instructions for later use.

THIS PRODUCT MUST BE INSTALLED IN ACCORDANCE WITH THE APPLICABLE INSTALLATION CODE BY A PERSON FAMILIAR WITH THE CONSTRUCTION AND OPERATION OF THE PRODUCT AND THE HAZARDS INVOLVED.

- Do not install this track in damp or wet locations.
- Do not install any part of a track system less than five (5) feet above the floor.
- Do not install any luminaire assembly closer than six (6) inches from any curtain or similar combustible material.
- Disconnect electrical power before adding to or changing the configuration of the track.
- Do not attempt to energize anything other than lighting track luminaires on the track. To reduce the risk of fire and electric shock, do not attempt to connect power tools, extension cords, appliances and the like to the track.
- **WARNING:** Risk of fire or electrical shock.

STEP 1

Turn off electrical power to the track prior to installing fixture.
Insert electrical contacts into track channel.



STEP 2

Rotate adapter 90 degrees.

