



TRACK HEAD
INSTALLATION
INSTRUCTIONS

These instructions are applicable to the following Lumenture Track Fixtures:

T-Series T40 / T40S / T50 / T50VNSP / T65 / T80

V-Series V60 / V75



IMPORTANT SAFETY INSTRUCTIONS

Read all the instructions before installation.
Save instructions for later use.

THIS PRODUCT MUST BE INSTALLED IN ACCORDANCE WITH THE APPLICABLE INSTALLATION CODE BY A PERSON FAMILIAR WITH THE CONSTRUCTION AND OPERATION OF THE PRODUCT AND THE HAZARDS INVOLVED. THE POWER UNIT SHOULD BE INSTALLED WHERE IT WILL **NOT** BE SUBJECTED TO ANY MOVEMENT. CONSULT A QUALIFIED ELECTRICIAN TO ENSURE CORRECT BRANCH CIRCUIT CONDUCTOR.

When installing or using this track system, basic safety precautions should always be followed, including the following:

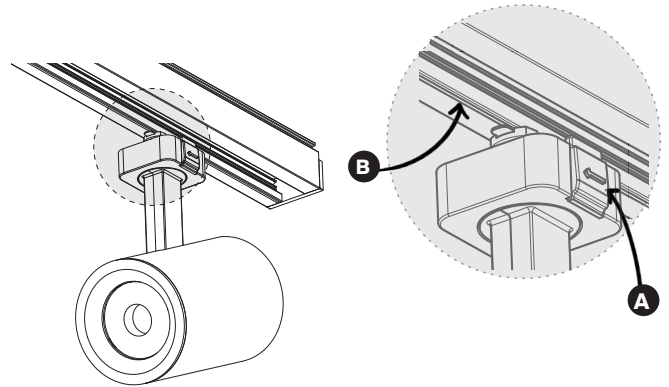
- Do not install any part of a track system less than 5 feet above the floor.
- Do not install any luminaire assembly closer than 6 inches from any curtain, or similar combustible material.
- Disconnect electrical power before adding to or changing the configuration of the track.
- Do not attempt to energize anything other than lighting track luminaires on the track. To reduce the risk of fire and electric shock, do not attempt to connect power tools, extension cords, appliances, and the like to the track.
- **WARNING:** Risk of fire or electrical shock.
- **WARNING:** Suitable for dry or damp locations only.

TRACK FIXTURE

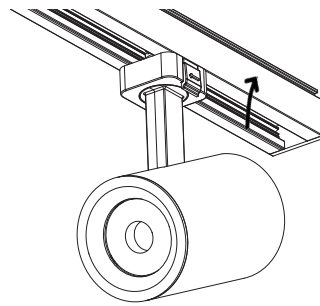
Installation Instructions

- 1** Turn off electrical power to the track prior to installing fixture. Line up adapter arrow (A) parallel and on the opposite side of the polarity line (B).

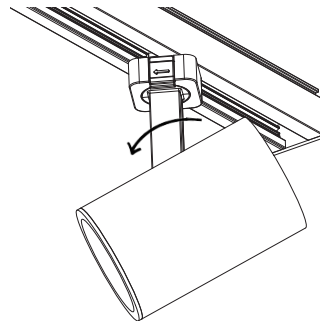
See Page 2 to learn how to engage second circuit.



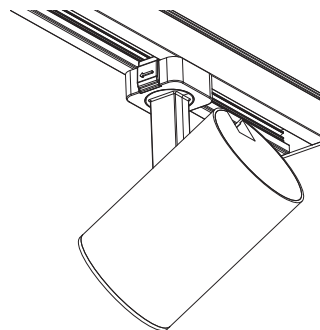
- 2** Insert fixture into track.



- 3** Twist adapter counter-clockwise



- 4** Fixture is fully connected when the adapter arrow is pointing towards the polarity line. You can now restore power to the track system!



TRACK FIXTURE

Engaging Adapters For Two-Circuit Track

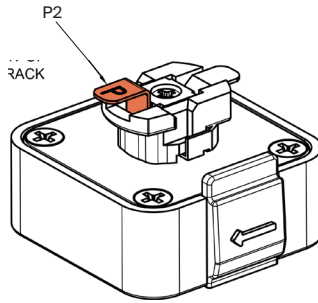
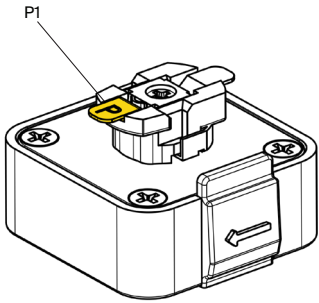
- 1** Lumenture's track head adapters allow for easy installation into either a single circuit or two circuit track system. You can select the circuit on which the fixture will be powered by simply adjusting the position of the positive conductor up or down prior to insertion into the track.

NOTE:

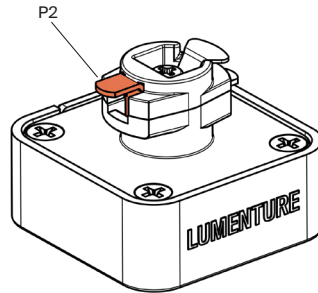
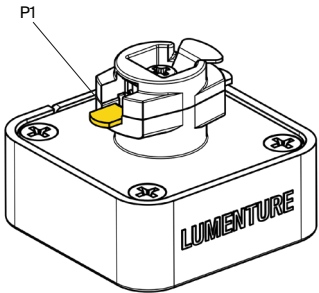
The Positive Conductor is labeled "P" on all J-Type factory standard adapters. Do NOT try to adjust the bracket that is not labeled "P."
P1 = Lowered position (factory setting). Use this position for single circuit track or circuit #1 of two-circuit track.
P2 = Raised position. Pull up to engage second-circuit of two-circuit track.

J-Type

Factory standard.



H-Type



L-Type

Available in Single-Circuit only.

